

Dell™ PowerEdge™
M905, M805, M605, and M600

Getting Started With Your System

Začínáme se systémem

Guide de mise en route

Handbuch zum Einstieg

Τα πρώτα βήματα με το σύστημά σας

Rozpoczęcie pracy z systemem

Начало работы с системой

Procedimientos iniciales con el sistema

תחילת העבודה עם המערכת

Dell™ PowerEdge™
M905, M805, M605, and M600

Getting Started With Your System



Notes, Notices, and Cautions



NOTE: A NOTE indicates important information that helps you make better use of your computer.



NOTICE: A NOTICE indicates either potential damage to hardware or loss of data and tells you how to avoid the problem.



CAUTION: A CAUTION indicates a potential for property damage, personal injury, or death.

Information in this document is subject to change without notice.

© 2008 Dell Inc. All rights reserved.

Reproduction in any manner whatsoever without the written permission of Dell Inc. is strictly forbidden.

Trademarks used in this text: *Dell*, the *DELL* logo, and *Dell OpenManage* are trademarks of Dell Inc.; *Microsoft*, *Windows*, and *Windows Server* are either trademarks or registered trademarks of Microsoft Corporation in the United States and/or other countries; *AMD* and *AMD Opteron* are trademarks of Advanced Micro Devices, Inc.; *Intel* and *Xeon* are registered trademarks of Intel Corporation; *SUSE* is a registered trademark of Novell, Inc.; *Red Hat* and *Enterprise Linux* are registered trademarks of Red Hat, Inc.; *VMware* is a registered trademarks of VMware, Inc. in the United States and/or other jurisdictions.

Other trademarks and trade names may be used in this document to refer to either the entities claiming the marks and names or their products. Dell Inc. disclaims any proprietary interest in trademarks and trade names other than its own.

Model BMX01

May 2008

P/N R431C

Rev. A00

System Features

This section describes the major hardware and software features of your system. It also provides information about other documents you may need when setting up your system and how to obtain technical assistance.

System Enclosure Features

The M1000e system enclosure (chassis) includes the following features:


Scalability Features


- Support for up to 16 half-height or 8 full-height blades (server modules).
- Support for three layers of I/O fabric, selectable between combinations of Ethernet, Infiniband, and Fibre Channel modules.

Up to six I/O modules may be installed in the enclosure, chosen from Fibre Channel switches, Fibre Channel passthroughs, Infiniband switches, Ethernet switches, and Ethernet passthrough modules.

Reliability Features

- Nine redundant, hot-pluggable system fan modules.
- Three 2360-watt, hot-pluggable power supplies and three power supply blanks, or six 2360-watt, hot-pluggable power supplies. (Three power supplies provide power to the system; adding three additional power supplies provides 3+3 redundancy.)


 **NOTICE:** Power supplies can only connect to a power distribution unit (PDU). They cannot connect directly to an electrical outlet.

 **NOTICE:** The system enclosure requires a 200-240V power source.

Systems Management Features


- A Chassis Management Controller (CMC), which provides several essential systems management features:
 - Enclosure-level power management and thermal management:
 - The CMC monitors system power requirements and supports the optional Dynamic Power Supply Engagement mode so that the CMC can enable or place power supplies in standby dynamically, depending on load and redundancy requirements, to improve power efficiency.
 - The CMC reports real-time power consumption.
 - The CMC supports an optional power ceiling, which will either trigger an alert or actions to keep the enclosure power consumption under the predefined ceiling.
 - The CMC monitors and controls cooling fans based on actual ambient and internal temperature measurements.
 - The CMC provides comprehensive enclosure inventory and status/error reporting.
 - The CMC allows centralized configuration of the following settings:
 - The CMC's network and security settings
 - Power redundancy and power ceiling settings
 - I/O switches and iDRAC network settings
 - First boot device on the blades
 - The CMC will check I/O fabric consistency between the I/O modules and blades and will disable system components if necessary to protect the system hardware.
 - User access security.
 - An SD card slot on the CMC card supports an optional persistent WWN/MAC feature that allows slot-based WWN/MACs for the blades, simplifying blade installation and replacement.

The CMC has two Ethernet ports. "Gb1" is used to connect to the external management network. "Stack" allows CMCs in adjacent enclosures to be daisy-chained. A 24-port Ethernet switch provides internal 100-Mb communication with the blades, I/O modules, optional iKVM, and optional second, redundant CMC, and provides a 10/100/1000-Mb connection to the external management network.


 **NOTE:** The 24-port Ethernet switch is reserved for internal communication between the iDRAC on the blades to the CMC, then to the external management network.

A second, optional CMC can be installed for hot-plug failover redundancy.

- An enclosure control panel that includes an LCD display which provides current infrastructure and blade information, and error reporting.
- An optional Avocent integrated Keyboard, Video and Mouse (iKVM) module, which includes the following features:
 - The iKVM maintains all blade connections as input is switched from each blade.
 - Local iKVM access can be remotely disabled on a per blade basis via the iDRAC user interface.
 - One VGA connector.
 - Two USB ports for keyboard and mouse connections.

 **NOTE:** USB functionality is contingent on the connection of a video interface, such as a monitor cable.

- An RJ-45 ACI port for tiering with external Dell and Avocent analog KVM and KVM over IP switches with ARI ports. The ACI connection takes precedence over the rear panel KVM ports.
- The iKVM can also be accessed from the control panel in the front of the enclosure. Either front or rear KVM functionality is supported (simultaneous functionality is not supported).

 **NOTE:** The front iKVM is enabled by default if contention exists between the front and rear iKVM ports. Front iKVM access can be disabled via the CMC user interface.

Blade Features

Performance Features

PowerEdge M905

- Four AMD™ Opteron™ 8000 Series dual-core or quad-core processors.
- A minimum of 8 GB of 677 MHz DDR2 memory modules, upgradable to a maximum of 192 GB by installing pairs of 1-GB, 2-GB, 4-GB, or 8-GB modules in the 24 memory module sockets on the blade system board. The blade also supports memory sparing if eight or sixteen memory module sockets are populated with identical memory modules.
- An SD (Secure Digital) card slot for embedded Hypervisor support.

PowerEdge M805

- Two AMD Opteron 2000 Series dual-core or quad-core processors.
- A minimum of 4 GB of 677 MHz DDR2 memory modules, upgradable to a maximum of 128 GB by installing pairs of 1-GB, 2-GB, 4-GB, or 8-GB modules in the 16 memory module sockets on the blade system board. The blade also supports memory sparing if eight or sixteen memory module sockets are populated with identical memory modules.
- An SD card slot for embedded Hypervisor support.

PowerEdge M600

- One or two Intel® Xeon® dual-core or quad-core processors
- A minimum of 1 GB of 677-MHz FBD memory modules, upgradable to a maximum of 64 GB by installing pairs of 512-MB, 1-GB, 2-GB, 4-GB, or 8-GB modules in the eight memory module sockets on the blade system board. The blade also supports memory sparing or memory mirroring if all eight memory module sockets are populated with identical memory modules.

PowerEdge M605

- One or two AMD Opteron 2000 Series dual-core or quad-core processors.
- A minimum of 1 GB of 677-MHz or 800-MHz DDR2 memory modules, upgradable to a maximum of 64 GB by installing pairs of 512-MB, 1-GB, 2-GB, 4-GB, or 8-GB modules in the eight memory module sockets on the blade system board. The blade also supports memory sparing.

Common Features

- The PowerEdge M805 and M905 blades support one or two 2.5 inch SAS hard drives.
- The PowerEdge M600 and M605 blades support one or two 2.5-inch SATA hard drives, *or* one or two 2.5 inch SAS hard drives.



NOTE: SAS and SATA hard drives cannot be mixed within a blade.

Hot-plug drive operation is supported if an optional RAID controller card is installed in the blade.

- Three USB 2.0-compliant ports (PowerEdge M805 and M905) or two USB 2.0-compliant ports (PowerEdge M605 and M600) support devices such as a mouse, keyboard, flash drive, diskette drive, or an optical drive.



NOTE: Only Dell-supplied USB devices are supported.

- An integrated VGA-compatible video subsystem with an ATI RN50 video controller. This video subsystem contains 32 MB of SDRAM video memory (nonupgradable). Maximum resolution is 1280 x 1024 x 65,000 colors (noninterlaced).
- An Integrated Dell Remote Access Controller (iDRAC), which provides remote system management, blade-level power management, virtual KVM and virtual media support, remote alerting and event logging.
- Four 1-GB Ethernet ports supported by two integrated dual-port Broadcom 5709S controllers (PowerEdge M805 and M905), or two 1-GB Ethernet ports supported by two integrated Broadcom 5708S controllers (PowerEdge M600 and M605). TCP/IP Offload Engine (TOE) and iSCSI boot are supported.

For a complete list of system features, see "Technical Specifications" on page 15.

The following software is included with your system:

- A System Setup program for quickly viewing and changing system configuration information. For more information on this program, see "Using the System Setup Program" in your *Hardware Owner's Manual*.
- Enhanced security features, including a system password and a setup password, available through the System Setup program.
- System diagnostics for evaluating system components and devices. For information about the system diagnostics, see "Running the System Diagnostics" in your *Hardware Owner's Manual*.
- Video drivers for displaying many popular application programs in high-resolution modes.
- Systems management software and documentation. Systems management software is used to manage and monitor each individual blade as well as the system as a whole, including all of the blades, network switch modules, power supplies, and fans. Systems management software manages the system locally and remotely on a network. Dell recommends that you use the systems management software provided with this system.
- Optional solutions software for Web hosting, caching, or load balancing. See your solutions software documentation for more information.

Supported Operating Systems

- Microsoft® Windows Server™ 2003, Web, Standard and Enterprise (32-bit x86) Editions with SP2
- Microsoft Windows Server 2003, Standard, Enterprise, and DataCenter (x64) Editions SP1, SP2
- Microsoft Windows Server 2003 R2 Standard and Enterprise (32-bit x86) Editions with SP1, SP2
- Microsoft Windows Server 2003 R2 Standard, Enterprise, and DataCenter (x64) Editions with SP1, SP2
- Microsoft Windows Server 2008, Standard Edition with SP1, SP2, DataCenter, and EM64T
- Red Hat® Enterprise Linux® AS, ES, and WS (version 4) and EM64T
- Red Hat Enterprise Linux AS and ES (version 4) (ia32)

- Red Hat Enterprise Linux Server AS and ES (version 5) (ia32)
- Red Hat Enterprise Linux Server AS, ES, and WS (version 5) and EM64T
- SUSE® Linux Enterprise Server 9 (x86_64) with SP3 and EM64T
- SUSE Linux Enterprise Server 10 (x86_64) and EM64T
- VMWare® ESX 3.1
- VMWare ESX 3.5

Other Information You May Need

 **CAUTION: See the safety and regulatory information that shipped with your system. Warranty information may be included within this document or as a separate document.**

- The *Configuration Guide* provides information on configuring the system enclosure and the blades.
- The *Rack Installation Guide* or *Rack Installation Instructions* included with your rack solution describes how to install your system into a rack.
- The *Hardware Owner's Manual* provides information about system features and describes how to troubleshoot the system and install or replace system components. This document may be found on the CDs that came with your system or at support.dell.com.
- The *Dell Chassis Management Controller User's Guide* provides detailed information on using the remote management features of the system.
- CDs or DVDs included with your system provide documentation and tools for configuring and managing your system.
- Systems management software documentation describes the features, requirements, installation, and basic operation of the software.
- Operating system documentation describes how to install (if necessary), configure, and use the operating system software.
- Documentation for any components you purchased separately provides information to configure and install these options.


- Updates are sometimes included with the system to describe changes to the system, software, and/or documentation.
 - ✍ **NOTE:** Always check for updates on support.dell.com and read the updates first because they often supersede information in other documents.
- Release notes or readme files may be included to provide last-minute updates to the system or documentation or advanced technical reference material intended for experienced users or technicians.

Obtaining Technical Assistance

If you do not understand a procedure in this guide or if the system does not perform as expected, see your *Hardware Owner's Manual*.

Dell Enterprise Training and Certification is available; see dell.com/training for more information. This service may not be offered in all locations.

Installation and Configuration

 **CAUTION:** Before performing the following procedure, read and follow the safety instructions and important regulatory information that shipped with your system. For additional safety best practices information, see www.dell.com/regulatory_compliance.

This section describes the steps required to set up your system for the first time.

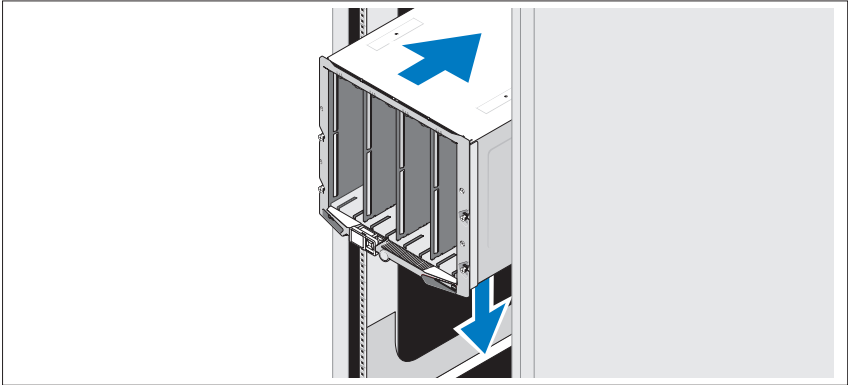
Unpack the System

Unpack your system and identify each item. Keep all shipping materials in case you need them later.

Install the System in a Rack

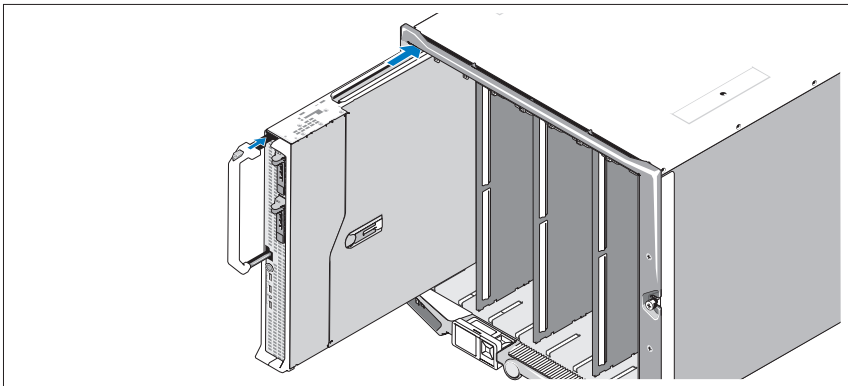
Install the system in the rack once you have read the "Safety Instructions" located in the rack installation documentation for your system.

See your rack installation documentation for instructions on installing your system in a rack. For power and cooling guidelines, see the rack capacity planner tool on www.dell.com.



Install the Blades

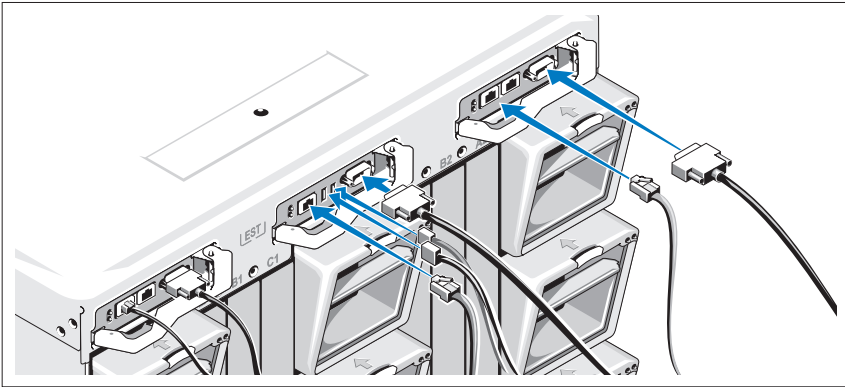
Beginning at the top, slide the modules into the enclosure from left to right. When the blade is securely installed, the handle returns to the closed position.



Connect the CMC and KVM Modules

Connect the serial cable and network cable from the management system to the CMC module. If a second, optional CMC module is installed, connect it as well. (If your chassis was shipped with M805 or M905 blades pre-installed, the included CMC firmware will be version 1.2 or greater.)

Connect the keyboard, mouse, and monitor to the optional iKVM module.

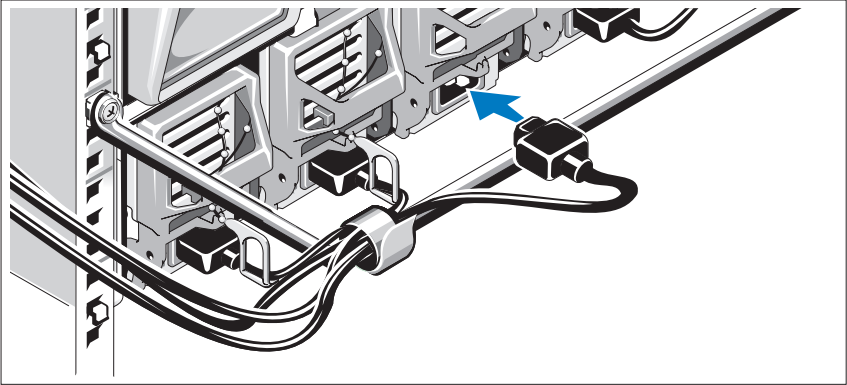


Connect the System to Power

Connect the system's power cables to the system power supplies.

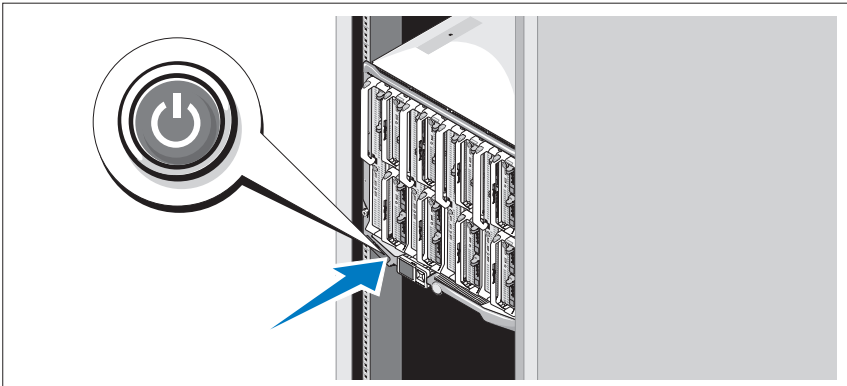
➡ NOTICE: To prevent the power cables from being disconnected accidentally, use the plastic clip on each power supply to secure the power cable to the power supply, and use the Velcro strap to secure the cable to the strain-relief bar.

Next, plug the other end of the power cables into a separate power source such as an uninterruptible power supply (UPS) or a power distribution unit (PDU).



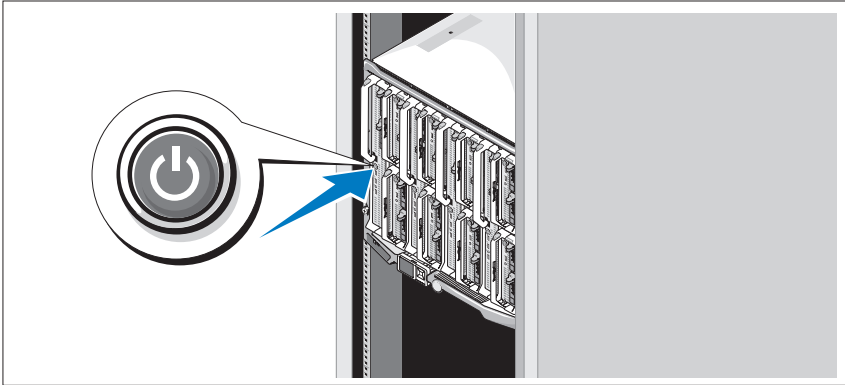
Turn on the System

Press the power button on the enclosure. The power indicator should light.



Turn on the Blades

Press the power button on each blade, or power on the blades using the systems management software.



Complete the Operating System Setup

If you purchased a preinstalled operating system, see the operating system documentation that ships with your system. To install an operating system for the first time, see the [Quick Installation Guide](#). Be sure the operating system is installed before installing hardware or software not purchased with the system.

Technical Specifications

Blade Specifications

Processor

Processor type

PowerEdge M905	Four dual-core or quad-core AMD Opteron 8000 Series processors
PowerEdge M805	Two dual-core or quad-core AMD Opteron 2000 Series processors
PowerEdge M600	One or two dual-core or quad-core Intel Xeon processors
PowerEdge M605	One or two dual-core or quad-core AMD Opteron 2000 Series processors

Memory

Architecture

PowerEdge M600	FBD memory modules, rated for 677-MHz operation
PowerEdge M905, M805, M605	DDR2 memory modules, rated for 677-MHz operation

Memory module sockets

PowerEdge M905	24 240-pin sockets
PowerEdge M805	16 240-pin sockets
PowerEdge M605, M600	Eight 240-pin sockets

Memory module capacities

512 MB (PowerEdge M605 and M600), 1 GB, 2 GB, 4 GB, or 8 GB

Minimum RAM

Two memory modules per processor

PowerEdge M905	8 GB (Eight 1-GB memory modules)
PowerEdge M805	4 GB (Four 1-GB memory modules)
PowerEdge M600, M605	1 GB (two 512-MB memory modules)

Memory

Maximum RAM

PowerEdge M905	192 GB
PowerEdge M805	128 GB
PowerEdge M600, M605	64 GB

Drives

Hard Drives

PowerEdge M805, M905 One or two 2.5-inch SAS hard drives

PowerEdge M600, M605

SATA configuration	One or two 2.5-inch SATA hard drives
SAS configuration	One or two 2.5-inch SAS hard drives

NOTE: SAS and SATA hard drives cannot be mixed within a M600 or M605 blade.

Connectors

External

USB

PowerEdge M805, M905	Three 4-pin, USB 2.0 compliant
PowerEdge M600, M605	Two 4-pin, USB 2.0 compliant

Internal

SD Card (PowerEdge M805, M905) One SD card connector

Ethernet Controllers

Chipset

PowerEdge M805, M905	Four Ethernet ports with TOE and iSCSI boot support, provided by two integrated dual-port Broadcom 5709S Ethernet controllers
PowerEdge M600, M605	Two Ethernet ports with TOE and iSCSI boot support, provided by two integrated Broadcom 5708S controllers

Video Controller

Video type	ATI RN50 video controller
Video memory	32 MB

Physical

PowerEdge M905, M805

Height	38.5cm (15.2 in)
Width	5 cm (2 in)
Depth	48.6 cm (19.2 in)
Weight (maximum configuration)	11.1 kg (24.5 lb)

PowerEdge M605, M600

Height	18.9 cm (7.4 in)
Width	5 cm (2 in)
Depth	48.6 cm (19.2 in)
Weight (maximum configuration)	5.2-6.4 kg (11.5-14.0 lb)

Battery

Blade battery	CR 2032 3.0-V lithium ion coin cell
---------------	-------------------------------------

System Enclosure Specifications

Physical

Height	44.0 cm (17.3 in)
Width	44.7 cm (17.6 in)
Depth	75.5 cm (29.7 in)
Weight (maximum configuration)	178.3 kg (392.2 lb)
Weight (empty)	44.6 kg (98.1 lb)

Power Supply Module

AC/DC power supply (per power supply)

Wattage	2360 W
Connector	NEMA C20 receptacle
Heat dissipation	1205 BTU/hr. maximum
Maximum inrush current	Under typical line conditions and over the entire system ambient operating range, the inrush current may reach 55 A per power supply for 10 ms or less.
System Voltage Requirements	200 - 240V, 16A, 3-Phase, 50 /60Hz 200 - 240V, 40.5A, Single Phase, 50 /60Hz

Optional Avocent iKVM Module

Rear externally accessible connectors

USB	Two 4-pin, USB 2.0-compliant connectors for keyboard and mouse support
ACI port	RJ-45
Video	15-pin VGA

Chassis Management Controller Module

Externally accessible connectors

Remote management	Two dedicated 10/100/1000 Mb RJ-45 ports for integrated Ethernet remote access controller.
Serial	9-pin, DTE, 16550-compatible
Video	15-pin VGA
Battery	CR 2032 3.0-V lithium ion coin cell
SD Card	One dedicated internal SD (Secure Digital) flash card memory slot for FlexAddress support.

Enclosure Control Panel

Externally accessible connectors

USB

PowerEdge M905, M805

Three 4-pin, USB 2.0-compliant connectors for keyboard and mouse support

PowerEdge M605, M600

Two 4-pin, USB 2.0-compliant connectors for keyboard and mouse support

Video

15-pin VGA

Navigation Panel

Features

Four cursor-control keys, one select key, LCD screen

I/O Module Specifications

PowerConnect M6220 Ethernet Switch Module

Externally accessible connectors

10/100/1000 Mbps Ethernet

Four autonegotiating RJ-45 ports

Serial

One 4-pin, USB 2.0 type A connector. (Use provided USB type A to DB9 adapter to connect to terminal)

Optional Modules

Two option bays. Each bay supports a module with two 24-Gb stacking ports, two 10-Gb CX4 copper uplinks, or two 10-Gb optical XFPs.

Cisco M7000E Infiniband Switch Module

Externally accessible connectors

Eight DDR Infiniband uplink ports

Gb Ethernet Pass-Through Module

Externally accessible connectors

Sixteen RJ-45 Ethernet ports

Fibre Channel Pass-Through Module

Externally accessible connectors

Fibre Channel transceiver	Sixteen external SFP ports that support 1/2/4-Gbps FC speeds
---------------------------	--

Brocade Fibre Channel Switch Module

Externally accessible connectors

Fibre Channel	Eight physical FC ports (four enabled by default, upgradeable to eight) supporting 1/2/4-Gbps Fibre Channel connections
Serial Port	RJ-45

Environmental

NOTE: For additional information about environmental measurements for specific system configurations, see dell.com/environmental_datasheets. The system is not for use in an office environment.

Temperature

Operating	10° to 35°C (50° to 95°F) NOTE: Decrease the maximum temperature by 1°C (1.8°F) per 300 m (985 ft) above 900 m (2955 ft).
Storage	-40° to 65°C (-40° to 149°F)

Relative humidity

Operating	8% to 85% (noncondensing) with a maximum humidity gradation of 10% per hour
Storage	5% to 95% (noncondensing)

Maximum vibration

Operating	0.26 Grms at 10–350 Hz for 15 min
Storage	1.54 Grms at 10–250 Hz for 15 min

Environmental (continued)

Maximum shock

Operating	One shock pulse in the positive z axis of 31 G for up to 2.6 ms
Storage	
PowerEdge M905, M805	Six consecutively-executed shock pulses in the positive and negative x, y, and z axis of 71 G up to 2 ms
PowerEdge M605, M600	Six consecutively-executed shock pulses in the positive and negative x, y, and z axis of 71 G up to 2 ms

Altitude

Operating	-16 to 3048 m (-50 to 10,000 ft)
Storage	-16 to 10,600 m (-50 to 35,000 ft)

Dell™ PowerEdge™
M905, M805, M605 a M600

Začínáme se systémem



Poznámky a upozornění



POZNÁMKA: POZNÁMKA označuje důležitou informaci, s jejíž pomocí lépe využijete svůj počítač.



UPOZORNĚNÍ: UPOZORNĚNÍ poukazuje na možnost poškození hardwaru nebo ztráty dat a poskytuje návod, jak se danému problému vyhnout.



POZOR: VÝSTRAHA označuje hrozící nebezpečí poškození majetku, poranění nebo usmrcení osob.

Informace obsažené v tomto dokumentu podléhají změnám bez předchozího upozornění.

© 2008 Dell Inc. Všechna práva vyhrazena.

Reprodukce jakýmkoli způsobem bez písemného povolení společnosti Dell Inc. je přísně zakázána.

Ochranné známky použité v tomto textu: *Dell*, logo *DELL* a *Dell OpenManage* jsou ochranné známky společnosti Dell Inc. *Microsoft*, *Windows* a *Windows Server* jsou ochranné známky nebo registrované ochranné známky společnosti Microsoft Corporation v USA a dalších zemích. *AMD* a *AMD Opteron* jsou ochranné známky společnosti Advanced Micro Devices, Inc. *Intel* a *Xeon* jsou registrované ochranné známky společnosti Intel Corporation. *SUSE* je registrovaná ochranná známka společnosti Novell, Inc. *Red Hat* a *Enterprise Linux* jsou registrované ochranné známky společnosti Red Hat, Inc. *VMware* je registrovaná ochranná známka společnosti VMware, Inc. v USA a dalších zemích.

V tomto dokumentu mohou být použity další ochranné známky a obchodní názvy buď s odkazem na právnické osoby a organizace, které uplatňují na dané ochranné známky a obchodní názvy nárok, nebo s odkazem na jejich výrobky. Společnost Dell Inc. nemá vlastnické zájmy vůči ochranným známkám a obchodním názvům jiným než svým vlastním.

Model BMX01

Květen 2008

Č. dílu R431C

Rev. A00

Systemové funkce

V této části jsou popsány hlavní hardwarové a softwarové funkce systému. Jsou v ní obsaženy i informace o doplňujících dokumentech, které můžete potřebovat při instalaci systému, a informace k odborné pomoci.

Funkce šasi systému

Šasi systému M1000e má následující funkce:

Rozšiřitelnost

- Podpora až pro 16 modulů blade (serverových modulů) o poloviční výšce nebo 8 modulů o plné výšce.
- Podpora pro tři vrstvy vstupně-výstupních kabeláží, přičemž lze volit mezi kombinacemi modulů Ethernet, Infiniband a Fibre Channel.

Do šasi lze nainstalovat až šest vstupně-výstupních modulů. Volit lze mezi přepínači a průchozími moduly Fibre Channel, přepínači Infiniband a přepínači a průchozími moduly Ethernet.

Spolehlivost

- Devět záložních modulů systémových ventilátorů vyměnitelných za provozu.
- Tři 2360wattové zdroje napájení vyměnitelné za provozu a tři záslepky napájení nebo šest 2360wattových zdrojů napájení vyměnitelných za provozu. (Tři zdroje napájení poskytují energii systému; další tři zdroje napájení zajišťují redundanci 3+3.)



UPOZORNĚNÍ: Zdroje napájení lze připojit pouze k jednotce rozvaděče (PDU). Nelze je připojit přímo k elektrické zásuvce.




UPOZORNĚNÍ: Šasi systému vyžaduje zdroj napájení 200–240 V.

Funkce pro správu systému


- Ovladač řízení šasi (CMC) poskytuje několik důležitých funkcí pro správu systému:
 - Řízení napájení a chlazení na úrovni šasi:
 - Ovladač CMC sleduje požadavky na napájení systému a podporuje volitelný režim dynamického zapojování zdrojů napájení (DPSE), takže ovladač CMC může zdroje napájení dynamicky zapínat nebo přepínat do pohotovostního režimu podle zatížení systému a požadavků na redundanci. Tím se zvyšuje efektivita napájení.
 - Ovladač CMC hlásí spotřebu energie v reálném čase.
 - Ovladač CMC podporuje volitelnou stropní hodnotu napájení, při jejímž dosažení se zobrazí výstraha nebo se spustí akce, které spotřebu energie sníží pod nastavenou hodnotu.
 - Ovladač CMC sleduje a řídí ventilátory na základě skutečně naměřených okolních a vnitřních teplot.
 - Ovladač CMC poskytuje široké spektrum funkcí pro inventarizaci šasi a hlášení stavu a chyb.
 - Ovladač CMC umožňuje centralizovanou konfiguraci následujících nastavení:
 - nastavení sítě a zabezpečení pro ovladač CMC,
 - nastavení redundance napájení a stropní hodnoty napájení,
 - nastavení sítě pro vstupně-výstupní přepínače a ovladač iDRAC,
 - nastavení prvního spouštěného zařízení v modulech blade.
 - Ovladač CMC kontroluje konzistenci vstupně-výstupní kabeláže u vstupně-výstupních modulů a modulů blade a v případě potřeby některé systémové komponenty deaktivuje, aby nedošlo k poškození hardwaru.
 - Zabezpečení uživatelského přístupu.
 - Slot pro karty SD na kartě ovladače CMC podporuje volitelnou funkci stálých názvů WWN a adres MAC, která umožňuje použít pro moduly blade názvy WWN a adresy MAC založené na slotu. Tím se zjednodušuje instalování a nahrazování modulů blade.

Ovladač CMC má dva porty Ethernet. Port Gb1 slouží k připojení k externí síti správy. Port Stack umožňuje řetězové propojení s ovladači CMC v sousedních šasi. Přepínač Ethernet s 24 porty zajišťuje interní komunikaci rychlostí 100 Mb/s s moduly blade, vstupně-výstupními moduly, volitelným modulem iKVM a volitelným druhým (záložním) ovladačem CMC. Poskytuje také připojení k externí síti správy rychlostí 10, 100 nebo 1000 Mb/s.


 **POZNÁMKA:** Přepínač Ethernet s 24 porty je vyhrazen pro interní komunikaci mezi ovladačem iDRAC v modulech blade a ovladačem CMC a následnou komunikaci ovladače CMC s externí sítí správy.

V zájmu redundance je možné nainstalovat druhý, volitelný ovladač CMC, který bude aktivován za provozu při selhání primárního ovladače.

- Ovládací panel na šasi zahrnuje displej LCD, který poskytuje aktuální informace o infrastruktuře a modulech blade a hlásí chyby.
- Volitelný modul Avocent iKVM (integrated Keyboard, Video and Mouse) má následující funkce:
 - Modul iKVM spravuje připojení ke všem modulům blade (přepíná vstupy z jednotlivých modulů blade).
 - Lokální přístup prostřednictvím modulu iKVM lze pro jednotlivé moduly blade vzdáleně zakázat pomocí uživatelského rozhraní ovladače iDRAC.
 - Jeden konektor VGA.
 - Dva porty USB pro připojení klávesnice a myši.

 **POZNÁMKA:** Funkčnost sběrnice USB je závislá na připojení grafického rozhraní, například kabelu monitoru.

- Port RJ-45 ACI pro vrstvení s externími analogovými moduly Dell a Avocent KVM a KVM přes IP s porty ARI. Připojení ACI má přednost před porty KVM na zadním panelu.
- K modulu iKVM lze získat přístup také z ovládacího panelu v přední části šasi. Podporováno je fungování buď předního, nebo zadního modulu KVM (simultánní fungování podporováno není).

 **POZNÁMKA:** Pokud existuje propojení mezi předními a zadními porty iKVM, je ve výchozím nastavení povolen přední modul iKVM. Přístup pomocí předního modulu iKVM lze zakázat v uživatelském rozhraní ovladače CMC.

Funkce modulů blade

Výkon

PowerEdge M905

- Čtyři dvoujádrové nebo čtyřjádrové procesory řady AMD™ Opteron™ 8000.
- Minimálně 8 GB paměti skládající se z pamět'ových modulů DDR2 pracujících s frekvencí 677 MHz. Paměť lze rozšířit až na 192 GB instalací párů modulů o kapacitě 1 GB, 2 GB, 4 GB nebo 8 GB do 24 socketů pro pamět'ové moduly na systémové desce modulu blade. Modul blade také podporuje šetření paměti, pokud je osm nebo šestnáct socketů pro pamět'ové moduly zaplněno totožnými pamět'ovými moduly.
- Slot pro kartu SD (Secure Digital) pro podporu vestavěného hypervisoru.

PowerEdge M805

- Dva dvoujádrové nebo čtyřjádrové procesory řady AMD Opteron 2000.
- Minimálně 4 GB paměti skládající se z pamět'ových modulů DDR2 pracujících s frekvencí 677 MHz. Paměť lze rozšířit až na 128 GB instalací párů modulů o kapacitě 1 GB, 2 GB, 4 GB nebo 8 GB do 16 socketů pro pamět'ové moduly na systémové desce modulu blade. Modul blade také podporuje šetření paměti, pokud je osm nebo šestnáct socketů pro pamět'ové moduly zaplněno totožnými pamět'ovými moduly.
- Slot pro kartu SD pro podporu vestavěného hypervisoru.

PowerEdge M600

- Jeden nebo dva dvoujádrové nebo čtyřjádrové procesory Intel® Xeon®.
- Minimálně 1 GB paměti skládající se z pamět'ových modulů FBD pracujících s frekvencí 677 MHz. Paměť lze rozšířit až na 64 GB instalací párů modulů o kapacitě 512 MB, 1 GB, 2 GB, 4 GB nebo 8 GB do osmi socketů pro pamět'ové moduly na systémové desce modulu blade. Modul blade také podporuje šetření paměti nebo zrcadlení paměti, pokud je všech osm socketů pro pamět'ové moduly zaplněno totožnými pamět'ovými moduly.

PowerEdge M605

- Jeden nebo dva dvoujádrové nebo čtyřjádrové procesory řady AMD Opteron 2000.
- Minimálně 1 GB paměti skládající se z paměťových modulů DDR2 pracujících s frekvencí 677 nebo 800 MHz. Paměť lze rozšířit až na 64 GB instalací párů modulů o kapacitě 512 MB, 1 GB, 2 GB, 4 GB nebo 8 GB do osmi soketů pro paměťové moduly na systémové desce modulu blade. Modul blade také podporuje šetření paměti.

Společné funkce

- Moduly blade PowerEdge M805 a M905 podporují jeden nebo dva 2,5 palcové pevné disky SAS.
- Moduly blade PowerEdge M600 a M605 podporují jeden nebo dva 2,5 palcové pevné disky SATA *nebo* jeden nebo dva 2,5 palcové pevné disky SAS.



POZNÁMKA: Pevné disky SAS a SATA nelze v rámci modulu blade kombinovat.

Připojitelnost pevných disků za provozu je podporována, pokud je v modulu blade nainstalována volitelná karta řadiče RAID.

- Tři porty USB 2.0 (PowerEdge M805 a M905) nebo dva porty USB 2.0 (PowerEdge M605 a M600) podporují zařízení, jako jsou myš, klávesnice, jednotka flash, disketová jednotka nebo optická jednotka.



POZNÁMKA: Podporována jsou pouze zařízení USB dodávaná společností Dell.

- Integrovaný grafický subsystém VGA s grafickou kartou ATI RN50. Tento grafický subsystém disponuje 32 MB grafické paměti SDRAM (bez možnosti rozšíření). Maximální rozlišení je 1280 x 1024 x 65 000 barev (neprokládané).
- Ovladač iDRAC (integrated Dell Remote Access Controller) poskytuje vzdálenou správu systémů, řízení napájení modulů blade, podporu virtuálních modulů KVM a virtuálních médií, vzdálené výstrahy a protokolování událostí.

- Čtyři porty pro 1Gb síť Ethernet podporované dvěma integrovanými kartami Broadcom 5709S se dvěma porty (PowerEdge M805 a M905) nebo dva porty pro 1Gb síť Ethernet podporované dvěma integrovanými kartami Broadcom 5708S (PowerEdge M600 a M605). Podpora funkce TOE (TCP/IP Offload Engine) a spouštění prostřednictvím protokolu iSCSI.

Úplný seznam systémových funkcí najdete v části Technické specifikace na stránce 37.


Systém obsahuje následující software:

- Program nastavení systému pro rychlé zobrazení a změnu informací o konfiguraci systému. Další informace o tomto programu naleznete v části Používání programu nastavení systému v *Příručce majitele hardwaru*.
- Zlepšené bezpečnostní funkce včetně systémového hesla a hesla pro nastavení systému dostupné prostřednictvím programu nastavení systému.
- Diagnostika systému pro hodnocení součástí systému a zařízení. Informace o používání diagnostiky systému naleznete v části Spuštění diagnostiky systému v *Příručce majitele hardwaru*.
- Ovladače videa pro zobrazování mnoha populárních aplikací v režimu vysokého rozlišení.
- Software a dokumentace pro správu systémů. Software pro správu systémů se používá ke správě a monitorování každého jednotlivého modulu blade i systému jako celku včetně všech modulů blade, síťových přepínacích modulů, zdrojů napájení a ventilátorů. Software pro správu systémů spravuje systém místně i vzdáleně v síti. Společnost Dell doporučuje používat software pro správu systémů dodávaný s tímto systémem.
- Software volitelných řešení pro web-hosting, ukládání do mezipaměti nebo vyvažování zátěže. Další informace naleznete v dokumentaci k softwaru řešení.

Podporované operační systémy

- Microsoft® Windows Server™ 2003, verze Web, Standard a Enterprise (32 bitové x86) s aktualizací SP2
- Microsoft Windows Server 2003, verze Standard, Enterprise a DataCenter (x64) s aktualizací SP1 nebo SP2
- Microsoft Windows Server 2003 R2, verze Standard a Enterprise (32 bitové x86) s aktualizací SP1 nebo SP2
- Microsoft Windows Server 2003 R2, verze Standard, Enterprise a DataCenter (x64) s aktualizací SP1 nebo SP2
- Microsoft Windows Server 2008, verze Standard (s aktualizací SP1 nebo SP2), DataCenter a EM64T
- Red Hat® Enterprise Linux® AS, ES a WS (verze 4) a EM64T
- Red Hat Enterprise Linux AS a ES (verze 4) (ia32)
- Red Hat Enterprise Linux Server AS a ES (verze 5) (ia32)
- Red Hat Enterprise Linux Server AS, ES a WS (verze 5) a EM64T
- SUSE® Linux Enterprise Server 9 (x86_64) s aktualizací SP3 a EM64T
- SUSE Linux Enterprise Server 10 (x86_64) a EM64T
- VMWare® ESX 3.1
- VMWare ESX 3.5

Další užitečné informace

 **POZOR: Prostudujte si informace o bezpečnosti a předpisech, které byly dodány se systémem. Informace o záruce je součástí tohoto dokumentu nebo je přiložena samostatně.**

- *Příručka konfigurace* poskytuje informace o konfiguraci šasi systému a modulů blade.
- *Návod pro instalaci do stojanu* nebo *Pokyny pro instalaci do stojanu* dodané se stojanovým systémem popisují instalaci systému do stojanu.
- *Příručka majitele hardwaru* obsahuje informace o funkcích systému a popisuje řešení problémů se systémem a instalaci nebo výměnu komponent. Tento dokument můžete nalézt na disku CD dodaném se systémem nebo na adrese **support.dell.com**.

- *Příručka uživatele Dell Chassis Management Controller* poskytuje podrobné informace o používání funkcí vzdálené správy systému.
- Disky CD nebo DVD dodané se systémem obsahují dokumentaci a nástroje pro konfiguraci a správu systému.
- Dokumentace k softwaru pro správu systému popisuje funkce, požadavky, instalaci a základní operace tohoto softwaru.
- Dokumentace operačního systému popisuje proces instalace (v nezbytném případě), konfigurace a používání softwaru operačního systému.
- Dokumentace k jakýmkoli komponentám zakoupeným samostatně poskytuje informace o konfiguraci a instalaci těchto komponent.
- Se systémem jsou někdy dodány také aktualizace, které popisují změny v systému, softwaru nebo dokumentaci.



POZNÁMKA: Vždy nejprve zkontrolujte a přečtěte aktualizace uvedené na adrese **support.dell.com**, protože tyto aktualizace často nahrazují informace v ostatních dokumentech.

- Součástí dodávky mohou být také poznámky k verzi nebo soubory readme, které obsahují poslední aktualizace k systému nebo dokumentaci, případně rozšířené technické materiály určené zkušeným uživatelům a technikům.

Odborná pomoc

Nerozumíte-li některému z postupů popsaných v této příručce nebo nepracuje-li systém podle očekávání, nahlédněte do *Příručky majitele hardwaru*.

Společnosti Dell rovněž nabízí školení a certifikaci (Dell Enterprise Training and Certification). Další informace najdete na adrese **dell.com/training**. Tato služba nemusí být nabízena ve všech regionech.

Instalace a konfigurace

! **POZOR:** Před provedením následujícího postupu si přečtěte bezpečnostní pokyny a důležité informace o plnění norem, které byly dodány se systémem, a postupujte podle těchto pokynů a informací. Další informace o doporučených bezpečnostních opatřeních najdete na adrese www.dell.com/regulatory_compliance.

V této části jsou popsány kroky, které je nutné provést při první instalaci systému.

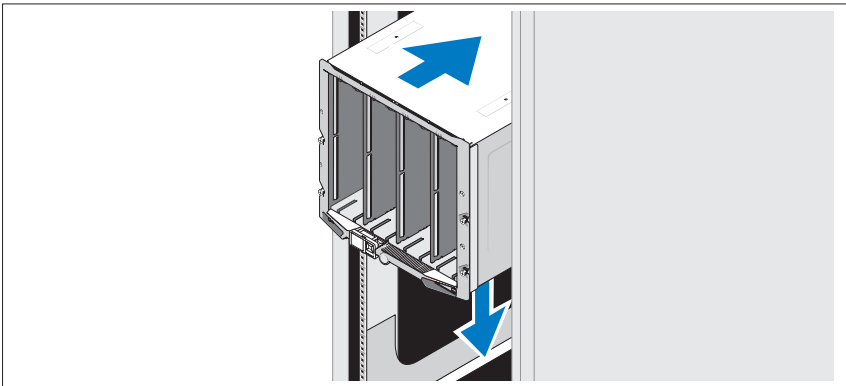
Rozbalení systému

Rozbalte systém a identifikujte jeho jednotlivé součásti. Veškerý obalový materiál uschovejte pro případ pozdější potřeby.

Instalace systému do stojanu

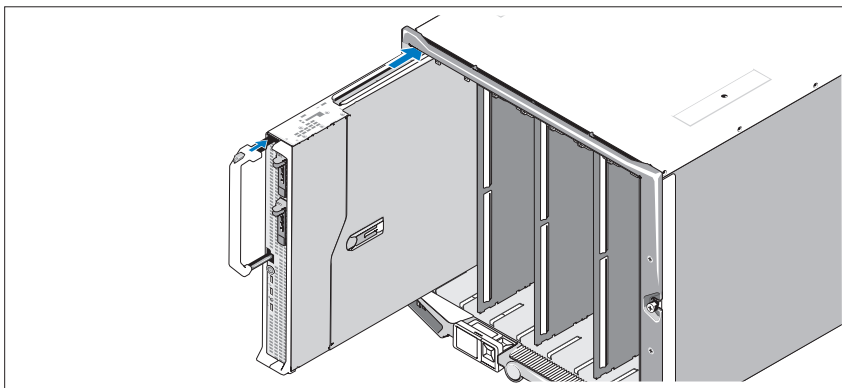
Nejprve si přečtěte Bezpečnostní pokyny uvedené v dokumentaci k instalaci do stojanu a potom proveďte instalaci systému do stojanu.

Pokyny k instalaci systému do stojanu naleznete v dokumentaci k instalaci do stojanu. Pokyny k napájení a chlazení najdete v nástroji pro plánování kapacity stojanu na adrese www.dell.com.



Instalace modulů blade

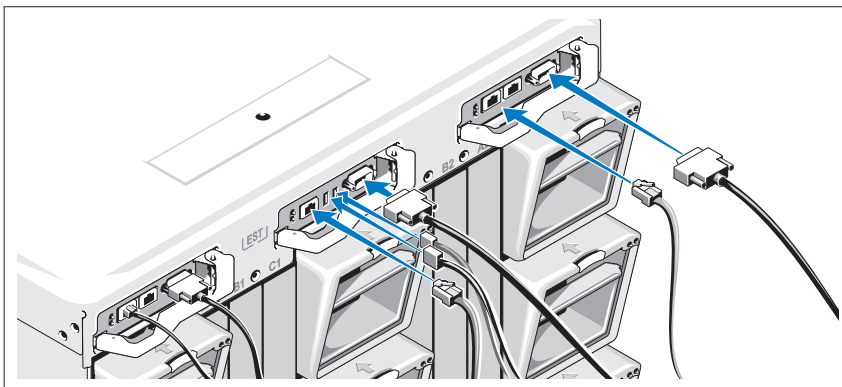
Postupujte zleva doprava a shora dolů a zasouvejte moduly do šasi. Jakmile bude modul blade bezpečně nainstalován, držadlo se vrátí do zamčené pozice.



Připojení ovladače CMC a modulů KVM

Připojte sériový kabel a síťový kabel z řídicího systému k modulu ovladače CMC. Připojte také druhý, volitelný modul ovladače CMC (pokud je nainstalován). (Pokud bylo šasi dodáno s předinstalovanými moduly blade M805 nebo M905, bude zahrnut firmware CMC verze 1.2 nebo vyšší.)

Připojte klávesnici, myš a monitor k volitelnému modulu iKVM.

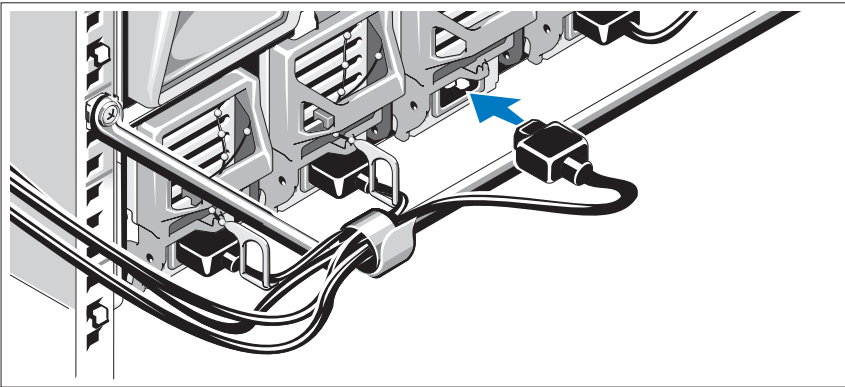


Připojení systému k napájení

Připojte napájecí kabely systému ke zdrojům napájení.

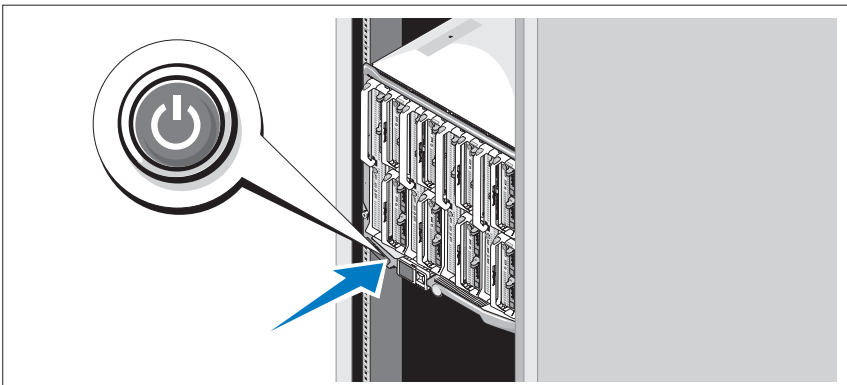
- ➔ **UPOZORNĚNÍ:** Chcete-li zabránit nechtěnému odpojení napájecích kabelů, připevněte zástrčky napájecích kabelů ke zdrojům napájení pomocí plastových svorek na zdrojích napájení a pomocí pásky Velcro připevněte kabel k protideformační tyči.

Poté zasuňte druhý konec napájecích kabelů do odděleného zdroje napájení, například zdroje UPS (nepřerušitelný zdroj napájení) nebo do jednotky rozvaděče (PDU).



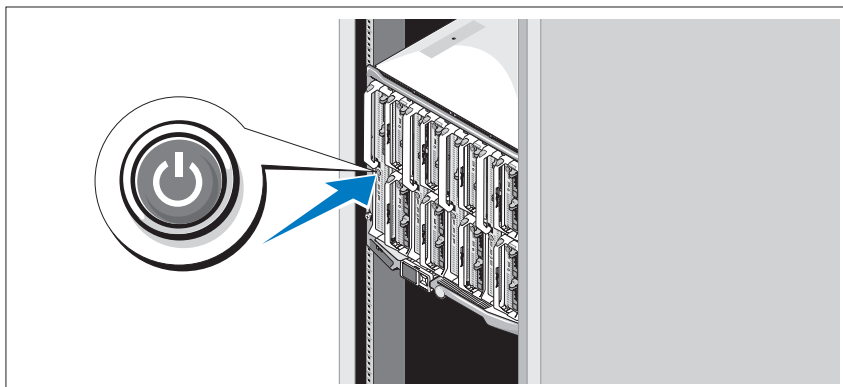
Zapnutí systému

Stiskněte tlačítko napájení na šasi. Měl by se rozsvítit indikátor napájení.



Zapnutí modulů blade

Stiskněte tlačítko napájení na každém modulu blade nebo spusťte napájení modulů blade pomocí softwaru pro správu systémů.



Dokončení nastavení operačního systému

Pokud jste zakoupili předinstalovaný operační systém, prostudujte dokumentaci k operačnímu systému dodanou se systémem. Pokyny k první instalaci operačního systému naleznete v Příručce rychlé instalace. Než začnete s instalací hardwaru či softwaru, který nebyl zakoupen společně se systémem, ujistěte se, že je nainstalován operační systém.

Technické specifikace

Specifikace modulů blade

Procesor

Typ procesoru

PowerEdge M905	Čtyři dvoujádrové nebo čtyřjádrové procesory řady AMD Opteron 8000
PowerEdge M805	Dva dvoujádrové nebo čtyřjádrové procesory řady AMD Opteron 2000
PowerEdge M600	Jeden nebo dva dvoujádrové nebo čtyřjádrové procesory Intel Xeon
PowerEdge M605	Jeden nebo dva dvoujádrové nebo čtyřjádrové procesory řady AMD Opteron 2000

Paměť

Architektura

PowerEdge M600	Paměťové moduly FBD s taktovací frekvencí 677 MHz
PowerEdge M905, M805, M605	Paměťové moduly DDR2 s taktovací frekvencí 677 MHz

Sokety pro paměťové moduly

PowerEdge M905	24 240kolíkových soketů
PowerEdge M805	16 240kolíkových soketů
PowerEdge M605, M600	Osm 240kolíkových soketů

Kapacity paměťových modulů

512 MB (PowerEdge M605 a M600), 1 GB, 2 GB, 4 GB nebo 8 GB

Minimum paměti RAM

Dva paměťové moduly na každý procesor

PowerEdge M905	8 GB (osm paměťových modulů s kapacitou 1 GB)
PowerEdge M805	4 GB (čtyři paměťové moduly s kapacitou 1 GB)
PowerEdge M600, M605	1 GB (dva paměťové moduly s kapacitou 512 MB)

Paměť (pokračování)

Maximum paměti RAM

PowerEdge M905	192 GB
PowerEdge M805	128 GB
PowerEdge M600, M605	64 GB

Jednotky

Pevné disky

PowerEdge M805, M905	Jeden nebo dva 2,5palcové pevné disky SAS
PowerEdge M600, M605	Jeden nebo dva 2,5palcové pevné disky SAS
Konfigurace SATA	Jeden nebo dva 2,5palcové pevné disky SATA
Konfigurace SAS	Jeden nebo dva 2,5palcové pevné disky SAS

POZNÁMKA: Pevné disky SAS a SATA nelze v rámci modulu blade M600 nebo M605 kombinovat.

Konektory

Externí

USB

PowerEdge M805, M905	Tři 4kolíkové, USB 2.0
PowerEdge M600, M605	Dva 4kolíkové, USB 2.0

Interní

Karta SD (PowerEdge M805, M905)	Jeden konektor pro kartu SD
---------------------------------	-----------------------------

Síťové karty Ethernet

Čipová sada

PowerEdge M805, M905	Čtyři porty Ethernet s podporou funkce TOE a spouštění prostřednictvím protokolu iSCSI poskytované dvěma integrovanými kartami Ethernet Broadcom 5709S se dvěma porty
PowerEdge M600, M605	Dva porty Ethernet s podporou funkce TOE a spouštění prostřednictvím protokolu iSCSI poskytované dvěma integrovanými kartami Broadcom 5708S

Grafická karta

Typ grafiky	Grafická karta ATI RN50
Grafická paměť	32 MB

Rozměry

PowerEdge M905, M805

Výška	38,5 cm
Šířka	5 cm
Hloubka	48,6 cm
Hmotnost (maximální konfigurace)	11,1 kg

PowerEdge M605, M600

Výška	18,9 cm
Šířka	5 cm
Hloubka	48,6 cm
Hmotnost (maximální konfigurace)	5,2–6,4 kg

Baterie

Baterie modulu blade	Lithium-iontová knoflíková baterie CR 2032 3,0 V
----------------------	---

Specifikace šasi systému

Rozměry

Výška	44,0 cm
Šířka	44,7 cm
Hloubka	75,5 cm
Hmotnost (maximální konfigurace)	178,3 kg
Hmotnost (prázdné)	44,6 kg

Modul zdroje napájení

Střídavý/stejnsměrný proud (na jeden zdroj napájení)

Výkon	2360 W
Konektor	Zásuvka NEMA C20
Odvod tepla	1205 BTU/hod. (maximum)
Maximální nárazový proud	V typických podmínkách napájení a v celém provozním rozsahu systému může nárazový proud dosáhnout 55 A na jeden napájecí zdroj po dobu 10 ms nebo méně.
Požadavky na napájení systému	200–240 V, 16 A, třífázové napájení, 50/60 Hz 200–240 V, 40,5 A, jednofázové napájení, 50/60 Hz

Volitelný modul Avocent iKVM

Zadní externě přístupné konektory

USB	Dva 4kolíkové konektory USB 2.0 pro klávesnici a myš
Port ACI	RJ-45
Video	15kolíkový VGA

Modul ovladače CMC (Chassis Management Controller)

Externě přístupné konektory

Vzdálená správa	Dva vyhrazené porty RJ-45 s přenosovou rychlostí 10/100/1000 Mb/s pro integrovaný ovladač vzdáleného přístupu Ethernet
Sériový	9kolíkový, DTE, kompatibilní s normou 16550
Video	15kolíkový VGA
Baterie	Lithium-iontová knoflíková baterie CR 2032 3,0 V
Karta SD	Jeden vyhrazený interní slot pro paměťovou kartu SD (Secure Digital) pro podporu funkce FlexAddress

Ovládací panel na šasi

Externě přístupné konektory

USB

PowerEdge M905, M805

Tři 4kolíkové konektory USB 2.0 pro klávesnici a myš

PowerEdge M605, M600

Dva 4kolíkové konektory USB 2.0 pro klávesnici a myš

Video

15kolíkový VGA

Navigační panel

Funkce

Čtyři kurzorové ovládací klávesy, jedna klávesa pro výběr, obrazovka LCD

Specifikace vstupně-výstupního modulu

Modul přepínače Ethernet PowerConnect M6220

Externě přístupné konektory

Ethernet 10/100/1000 Mb/s

Čtyři porty RJ-45 s automatickým vyjednáváním

Sériový

Jeden 4kolíkový konektor USB 2.0 typu A (pro připojení k terminálu je třeba použít dodaný adaptér z USB typu A na DB9)

Volitelné moduly

Dvě pozice pro volitelné moduly. Každá pozice podporuje modul se dvěma stohovacími porty 24 Gb, dvěma měděnými přenosovými porty CX4 10 Gb nebo dvěma optickými vysílači XFP 10 Gb.

Modul přepínače Infiniband Cisco M7000E

Externě přístupné konektory

Osm přenosových portů Infiniband DDR

Průchozí modul Gb Ethernet

Externě přístupné konektory Šestnáct portů RJ-45 pro síť Ethernet

Průchozí modul Fibre Channel

Externě přístupné konektory

Vysílač Fibre Channel Šestnáct externích portů SFP podporujících rychlosti 1/2/4 Gb/s

Modul přepínače Fibre Channel Brocade

Externě přístupné konektory

Fibre Channel Osm fyzických portů FC (ve výchozím nastavení jsou povoleny čtyři, lze rozšířit na osm) podporujících připojení Fibre Channel rychlostí 1/2/4 Gb/s

Sériový port RJ-45

Prostředí

POZNÁMKA: Další informace o měřených údajích prostředí najdete pro jednotlivé systémové konfigurace na adrese dell.com/environmental_datasheets. Systém není určen pro použití v kanceláři.

Teplota

Provozní 10 až 35 °C

POZNÁMKA: Snižte nejvyšší teplotu o 1 °C na každých 300 m nad nadmořskou výškou 900 m.

Skladovací -40 až 65 °C

Relativní vlhkost

Provozní 8 až 85 % (bez kondenzace) s maximálním nárůstem vlhkosti o 10 % za hodinu

Skladovací 5 až 95 % (bez kondenzace)

Maximální vibrace

Provozní 0,26 g při 10–350 Hz po dobu 15 minut

Skladovací 1,54 g při 10–250 Hz po dobu 15 minut

Prostředí (pokračování)

Maximální ráz

Provozní	Jeden rázový impuls v kladné ose z o síle 31 G v délce do 2,6 ms
Skladovací	
PowerEdge M905, M805	Šest po sobě jdoucích rázových impulsů v kladné i záporné ose x, y, a z o síle 71 G v délce do 2 ms
PowerEdge M605, M600	Šest po sobě jdoucích rázových impulsů v kladné i záporné ose x, y, a z o síle 71 G v délce do 2 ms

Nadmořská výška

Provozní	-16 až 3 048 m
Skladovací	-16 až 10 600 m

Systemes Dell™ PowerEdge™

M905, M805, M605 et M600

Guide de mise en route



Remarques, avis et précautions



REMARQUE : Une REMARQUE indique des informations importantes qui peuvent vous aider à mieux utiliser votre ordinateur.



AVIS : Un AVIS vous avertit d'un risque de dommage matériel ou de perte de données et vous indique comment éviter le problème.



PRÉCAUTION : Une PRÉCAUTION indique un risque potentiel d'endommagement du matériel, de blessure corporelle ou de mort.

Les informations contenues dans ce document peuvent être modifiées sans préavis.

© 2008 Dell Inc. Tous droits réservés.

La reproduction de ce document de quelque manière que ce soit sans l'autorisation écrite de Dell Inc. est strictement interdite.

Marques mentionnées dans ce document : *Dell*, le logo *DELL* et *Dell OpenManage* sont des marques déposées de Dell Inc. ; *Microsoft*, *Windows* et *Windows Server* sont des marques ou des marques déposées de Microsoft Corporation aux États-Unis et/ou dans d'autres pays ; *AMD* et *AMD Opteron* sont des marques déposées d'Advanced Micro Devices, Inc. ; *Intel* et *Xeon* sont des marques déposées d'Intel Corporation ; *SUSE* est une marque déposée de Novell, Inc. ; *Red Hat* et *Enterprise Linux* sont des marques déposées de Red Hat, Inc. ; *VMware* est une marque déposée de VMware, Inc. aux États-Unis et/ou dans d'autres pays.

Tous les autres noms de marques et marques commerciales utilisés dans ce document se rapportent aux sociétés propriétaires des marques et des noms de ces produits. Dell Inc. dénie tout intérêt propriétaire vis-à-vis des marques et des noms de marque autres que les siens.

Modèle **BMX01**

Mai 2008

N/P R431C

Rév. A00

Caractéristiques du système

Cette section décrit les principales caractéristiques matérielles et logicielles du système. Elle contient également des informations relatives à d'autres documents pouvant être utiles à la configuration du système et indique comment obtenir une assistance technique.

Caractéristiques du châssis

Le châssis du système M1000e présente les caractéristiques suivantes :

Evolutivité

- Prise en charge d'un maximum de 16 lames de mi-hauteur ou de 8 lames de hauteur normale (modules du serveur).
- Prise en charge de trois couches d'E/S pouvant comprendre diverses combinaisons de modules Ethernet, Infiniband et Fibre Channel.

Le châssis peut accueillir jusqu'à six modules d'E/S (commutateurs ou modules d'intercommunication Fibre Channel ou Ethernet, et commutateurs Infiniband).

Fiabilité

- Neuf modules de ventilation redondants et enfichables à chaud.
- Trois blocs d'alimentation enfichables à chaud de 2360 watts et trois caches d'alimentation ou six blocs d'alimentation enfichables à chaud de 2360 watts. Les trois premiers blocs alimentent le système et les trois blocs supplémentaires sont redondants.



AVIS : Les blocs d'alimentation ne peuvent être reliés qu'à une unité de distribution de l'alimentation (PDU). Ils ne peuvent pas être branchés directement sur une prise secteur.



AVIS : Le châssis nécessite une source d'alimentation de 200-240 V.

Gestion des systèmes

- Contrôleur CMC (Chassis Management Controller) fournissant plusieurs fonctions essentielles de gestion des systèmes :
 - Gestion de l'alimentation et des températures au niveau du châssis :
 - Le contrôleur CMC surveille les besoins en alimentation du système et prend en charge l'utilisation du mode DPSE (Dynamic Power Supply Engagement) fourni en option. Il peut ainsi améliorer la gestion de l'alimentation en activant les blocs d'alimentation ou en les mettant en veille en fonction des besoins constatés en termes de charge de travail et de redondance.
 - Le contrôleur CMC fournit des informations en temps réel sur la consommation électrique.
 - Le contrôleur CMC prend en charge la définition d'un seuil d'alimentation (en option) qui permet de générer une alerte ou de déclencher certaines actions visant à maintenir la consommation en dessous d'un niveau donné.
 - Le contrôleur CMC surveille le fonctionnement des ventilateurs en se basant sur la mesure en temps réel des températures ambiante et interne.
 - Le contrôleur CMC permet de bénéficier de fonctions complètes d'inventaire et de consignation des erreurs ou des états.
 - Le contrôleur CMC permet de centraliser la configuration des paramètres suivants :
 - Paramètres réseau et de sécurité du contrôleur CMC
 - Redondance de l'alimentation et définition de seuils
 - Paramètres réseau des E/S pour les commutateurs et les contrôleurs DRAC intégrés
 - Définition du premier périphérique d'amorçage sur les lames
 - Le contrôleur CMC vérifie la cohérence des infrastructures d'E/S entre les modules d'E/S et les lames. Si nécessaire, il désactive des composants afin de protéger le matériel du système.
 - Sécurité des accès utilisateur.

- Un emplacement carte mémoire Secure Digital sur la carte CMC prend en charge une fonction permanente WWN/MAC (en option) qui permet d'utiliser des WWN/MAC à emplacement pour les lames, ce qui simplifie leur installation et leur remplacement.

Le contrôleur CMC comprend deux ports Ethernet. Le port “Gb1” est utilisé pour la connexion au réseau de gestion externe. Le port “Stack” permet de relier en série les contrôleurs CMC installés dans des châssis adjacents. Un commutateur Ethernet comprenant 24 ports gère les communications internes (débit de 100 Mbps) avec les lames, les modules d'E/S, le module KVM intégré en option et un second contrôleur CMC redondant disponible en option. Il fournit également une connexion à 10/100/1000 Mbps avec le réseau de gestion externe.



REMARQUE : Le commutateur Ethernet 24 ports est réservé prioritairement aux communications internes entre le module DRAC intégré aux lames et le contrôleur CMC, puis au réseau de gestion externe.

Un second contrôleur CMC en option et enfichable à chaud peut être installé pour fournir une redondance en cas de basculement.

- Le panneau de commande du châssis comprend un écran LCD qui affiche des informations sur l'infrastructure en cours, les lames et les erreurs rencontrées.
- Un module KVM intégré (iKVM) en option de marque Avocent offre les fonctionnalités suivantes :
 - Le module iKVM maintient actives les connexions à toutes les lames tandis que les entrées sont envoyées uniquement à la lame choisie.
 - L'accès local au module iKVM peut être désactivé à distance, lame par lame, via l'interface utilisateur du module DRAC intégré.
 - Un connecteur VGA.
 - Deux ports USB pour la connexion d'un clavier et d'une souris.



REMARQUE : Les fonctionnalités USB ne peuvent être utilisées que si une interface vidéo est connectée (câble de moniteur, par exemple).

- Un port RJ-45 ACI permet le couplage avec des commutateurs KVM analogiques et KVM sur IP de marque Dell et Avocent dotés de ports ARI. La connexion ACI est prioritaire sur les ports situés sur le panneau arrière du KVM.

- Le module KVM intégré est également accessible à partir du panneau de commande situé à l'avant du châssis. Il est possible d'utiliser le module KVM situé à l'avant ou à l'arrière, mais pas les deux simultanément.



REMARQUE : Le module frontal est activé par défaut en cas de conflit entre les ports situés à l'avant et à l'arrière du module iKVM. L'accès au module iKVM frontal peut être désactivé via l'interface utilisateur du contrôleur CMC.

Caractéristiques des lames

Performances

PowerEdge M905

- Quatre processeurs AMD™ Opteron™ 8000 Series double cœur ou quadruple cœur.
- Un minimum de 8 Go constitué de barrettes de mémoire de 677 MHz, extensible à 192 Go au maximum par l'installation de paires de barrettes de 1, 2, 4 ou 8 Go dans les 24 emplacements prévus à cet effet sur la carte système de la lame. Cette lame prend également en charge l'utilisation de mémoire de réserve si des barrettes de mémoire identiques sont utilisées dans huit ou seize des emplacements de module de mémoire.
- Un emplacement pour carte mémoire Secure Digital en vue de la prise en charge de l'Hyperviseur intégré.

PowerEdge M805

- Deux processeurs double cœur ou quadruple cœur AMD Opteron 2000 Series.
- Un minimum de 4 Go constitué de barrettes de mémoire DDR2 de 677 MHz, extensible à 128 Go au maximum par l'installation de paires de barrettes de 1, 2, 4 ou 8 Go dans les 16 emplacements prévus à cet effet sur la carte système de la lame. Cette lame prend également en charge l'utilisation de mémoire de réserve si des barrettes de mémoire identiques sont utilisées dans huit ou seize des sockets prévus à cet effet.
- Un emplacement pour carte mémoire Secure Digital en vue de la prise en charge de l'Hyperviseur intégré.

PowerEdge M600

- Un ou deux processeurs Intel® Xeon® double cœur ou quadruple cœur
- Un minimum de 1 Go constitué de barrettes de mémoire FBD de 677 MHz, extensible à 64 Go au maximum par l'installation de paires de barrettes de 512 Mo ou de 1, 2, 4 ou 8 Go dans les huit sockets prévus à cet effet sur la carte système de la lame. Si les huit emplacements mémoire contiennent des modules identiques, il est possible d'utiliser une mémoire de réserve ou une mise en miroir.

PowerEdge M605

- Un ou deux processeurs AMD Opteron 2000 Series double cœur ou quadruple cœur.
- Un minimum de 1 Go constitué de barrettes de mémoire DDR2 de 677 MHz ou de 800 MHz, extensible à 64 Go au maximum par l'installation de paires de barrettes de 512 Mo ou de 1, 2, 4 ou 8 Go dans les huit sockets prévus à cet effet sur la carte système de la lame. Le serveur lame prend également en charge l'utilisation d'une mémoire de réserve.

Fonctionnalités communes

- Les lames PowerEdge M805 et M905 prennent en charge un ou deux disques durs SAS de 2,5 pouces.
- Les lames PowerEdge M600 et M605 prennent en charge un ou deux disques durs SATA de 2,5 pouces *ou* un ou deux disques durs SAS de 2,5 pouces.



REMARQUE : Une lame ne peut pas contenir à la fois des disques durs de type SAS et SATA.

L'ajout ou le retrait à chaud des disques est pris en charge si une carte contrôleur RAID en option est installée dans la lame.

- Trois ports compatibles USB 2.0 (PowerEdge M805 et M905) ou deux ports compatibles USB 2.0 (PowerEdge M605 et M600) assurent la prise en charge des périphériques suivants : souris, clavier, lecteur flash, lecteur de disquette et lecteur optique.



REMARQUE : Seuls les périphériques USB fournis par Dell sont pris en charge.

- Sous-système vidéo intégré compatible VGA comprenant un contrôleur vidéo ATI RN50. Ce sous-système vidéo contient 32 Mo de mémoire vidéo SDRAM (non extensible). La résolution maximale est de 1280x1024x 65000 couleurs (non-entrelacé).
- Contrôleur DRAC intégré (iDRAC, Integrated Dell Remote Access Controller) fournissant différentes capacités : gestion de systèmes à distance, gestion de l'alimentation au niveau des lames, prise en charge des modules KVM et des médias virtuels, déclenchement d'alertes et consignation d'événements à distance.
- Quatre ports Ethernet de 1 Go pris en charge par deux contrôleurs Broadcom 5709S intégrés à double port (PowerEdge M805 et M905), ou deux ports Ethernet de 1 Go pris en charge par deux contrôleurs Broadcom 5708S intégrés (PowerEdge M600 et M605). Le protocole TOE (TCP/IP Offload Engine) et l'amorçage iSCSI sont pris en charge.

Pour une liste complète des caractéristiques du système, reportez-vous au “Spécifications techniques”, page 60.

Les logiciels suivants sont livrés avec le système :

- Programme de configuration du système permettant de consulter et de modifier rapidement les informations sur la configuration du système. Pour plus d'informations sur ce programme, voir “Using the System Setup Program” (Utilisation du programme de configuration du système), dans le document *Hardware Owner's Manual* (Manuel du propriétaire).
- Fonctions de sécurité avancées (disponibles dans le programme de configuration du système) permettant de définir un mot de passe système et un mot de passe de configuration.
- Diagnostics permettant de tester les composants et les périphériques du système. Pour plus d'informations sur les diagnostics du système, voir “Running the System Diagnostics” (Exécution des diagnostics du système), dans le document *Hardware Owner's Manual* (Manuel du propriétaire).
- Pilotes vidéo permettant d'afficher un grand nombre d'applications très répandues dans les modes à haute résolution.

- Logiciel de gestion des systèmes et documentation associée. Les logiciels de gestion des systèmes permettent de gérer et de surveiller chaque lame de façon individuelle, mais aussi le système dans son ensemble, en incluant les lames, les modules de commutation réseau, les blocs d'alimentation et les ventilateurs. Ces logiciels peuvent être utilisés pour gérer le système localement ou à distance via le réseau. Dell recommande l'utilisation du logiciel de gestion des systèmes fourni avec le système.
- Solutions en option pour l'hébergement Web, la mise en cache ou l'équilibrage de charge. Pour plus d'informations, consultez la documentation accompagnant les logiciels.


Systèmes d'exploitation pris en charge

- Microsoft® Windows Server™ 2003 éditions Web, Standard et Enterprise (32 bits, x86) avec SP2
- Microsoft Windows Server 2003, éditions Standard, Enterprise et Datacenter (x64) avec SP1 ou SP2
- Microsoft Windows Server 2003 R2 éditions Standard et Enterprise (32 bits, x86) avec SP1 ou SP2
- Microsoft Windows Server 2003 R2, éditions Standard, Enterprise et Datacenter (x64) avec SP1 ou SP2
- Microsoft Windows Server 2008, éditions Standard avec SP1 ou SP2, DataCenter et EM64T
- Red Hat® Enterprise Linux® AS, ES et WS (version 4) et EM64T
- Red Hat Enterprise Linux AS et ES (version 4) (ia32)
- Red Hat Enterprise Linux Server AS et ES (version 5) (ia32)
- Red Hat Enterprise Linux Server AS, ES et WS (version 5) et EM64T
- SUSE® Linux Enterprise Server 9 (x86_64) avec SP3 et EM64T
- SUSE Linux Enterprise Server 10 (x86_64) et EM64T
- VMWare® ESX 3.1
- VMWare ESX 3.5

Autres informations utiles



PRÉCAUTION ! Consultez les informations de sécurité et de garantie fournies avec votre système. Les informations sur la garantie se trouvent soit dans ce document, soit à part.


- Le *Configuration Guide* (Guide de configuration) fournit des informations sur la configuration du châssis du système et des lames.
 - Les documents *Rack Installation Guide* (Guide d'installation du rack) et *Rack Installation Instructions* (Instructions d'installation du rack) fournis avec la solution rack décrivent l'installation du système.
 - Le document *Hardware Owner's Manual* (Manuel du propriétaire) contient des informations sur les caractéristiques du système, ainsi que des instructions relatives au dépannage et à l'installation ou au remplacement de composants. Il se trouve sur les CD fournis avec le système et sur le site support.dell.com.
 - Le document *Dell Chassis Management Controller User's Guide* (Contrôleur de gestion de châssis Dell) contient des informations détaillées sur l'utilisation des fonctions de gestion à distance du système.
 - Les CD ou les DVD fournis avec le système contiennent des documents et des outils relatifs à la configuration et à la gestion du système.
 - La documentation relative aux logiciels de gestion du système contient des informations sur les fonctionnalités, l'installation et l'utilisation de base de ces logiciels, ainsi que sur la configuration requise.
 - La documentation du système d'exploitation indique comment installer (au besoin), configurer et utiliser le système d'exploitation.
 - La documentation fournie avec les composants achetés séparément indique comment installer et configurer ces options.
 - Des mises à jour sont parfois fournies avec le système. Elles décrivent les modifications apportées au système, aux logiciels ou à la documentation.
-  **REMARQUE :** Vérifiez toujours si des mises à jour sont disponibles sur le site support.dell.com et lisez-les en premier, car elles remplacent souvent les informations contenues dans les autres documents.
- Si des notes d'édition ou des fichiers lisez-moi (readme) sont fournis, ils contiennent des mises à jour de dernière minute apportées au système ou à la documentation, ou bien des informations techniques destinées aux utilisateurs expérimentés ou aux techniciens.

Obtention d'une assistance technique

Si vous ne comprenez pas une procédure décrite dans ce guide ou si le système ne réagit pas comme prévu, reportez-vous au document *Hardware Owner's Manual* (Manuel du propriétaire).

Des formations et certifications Dell Enterprise sont disponibles. Pour plus d'informations, consultez le site dell.com/training. Ce service n'est disponible que dans certains pays.

Installation et configuration

 **PRÉCAUTION ! Avant de commencer la procédure suivante, lisez et respectez les consignes de sécurité et les informations importantes sur les réglementations fournies avec le système. Pour plus d'informations sur les meilleures pratiques en matière de sécurité, voir le site www.dell.com/regulatory_compliance.**

Cette section décrit les étapes devant être exécutées lors de la configuration initiale du système.

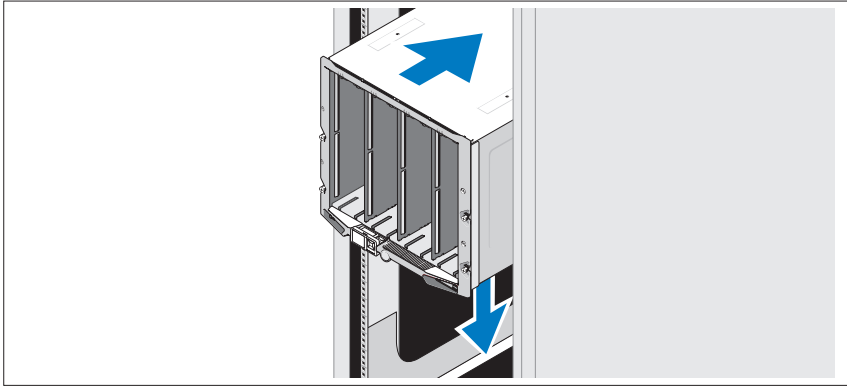
Déballage du système

Sortez le système de son emballage et identifiez chaque élément. Conservez les matériaux d'emballage au cas où vous en auriez besoin ultérieurement.

Installation du système dans un rack

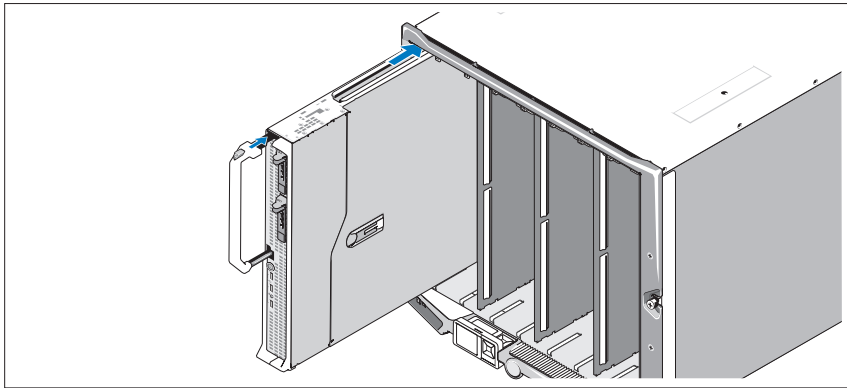
Commencez par lire les consignes de sécurité qui se trouvent dans la documentation d'installation du rack, puis installez le système dans le rack.

Consultez la documentation d'installation du rack pour obtenir les instructions appropriées. Pour obtenir des directives concernant l'alimentation et le refroidissement, reportez-vous à l'outil de planification de capacité des racks disponible sur le site www.dell.com.



Installation des lames

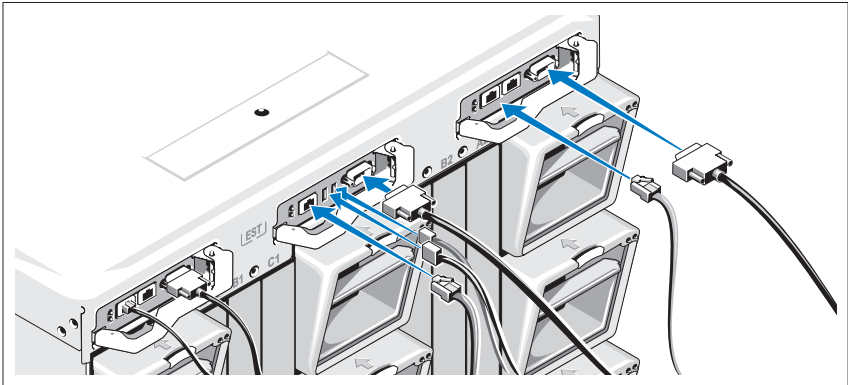
Insérez les modules dans le châssis en commençant par le haut et en procédant de gauche à droite. Lorsqu'une lame est correctement installée, la poignée revient en position fermée.



Connexion du contrôleur CMC et des modules KVM

Connectez les câbles série et réseau du système de gestion au module CMC. Si un second module CMC en option est installé, connectez-le également. Si votre châssis a été fourni avec des lames M805 ou M905 préinstallées, le micrologiciel CMC inclus est de version 1.2 ou ultérieure.

Connectez le clavier, la souris et le moniteur au module iKVM en option.

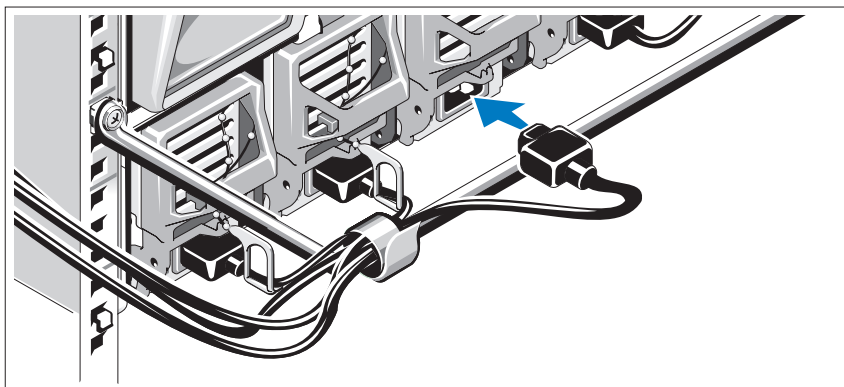


Branchement du système sur le secteur

Enfichez les câbles d'alimentation du système dans les blocs d'alimentation.

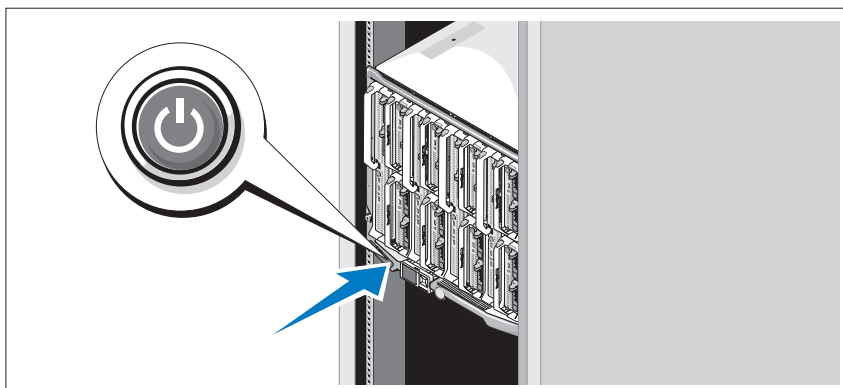
- ➔ **AVIS :** Pour éviter que les câbles d'alimentation ne soient débranchés accidentellement, utilisez le clip en plastique situé sur chaque bloc d'alimentation pour fixer le câble. Utilisez également la bande Velcro pour maintenir le câble sur la barre de retenue.

Branchez ensuite l'autre extrémité des cordons d'alimentation sur une source d'alimentation autonome, comme un onduleur ou une unité de distribution de l'alimentation.



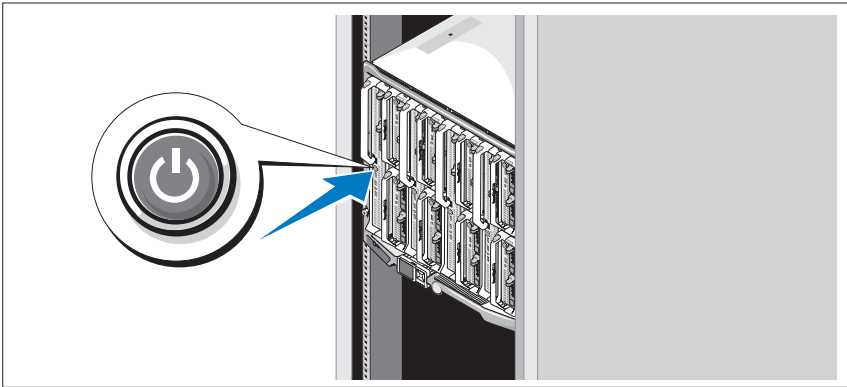
Mise sous tension du système

Appuyez sur le bouton d'alimentation du châssis. Le voyant d'alimentation doit s'allumer.



Mise sous tension des lames

Mettez chaque lame sous tension en appuyant sur son bouton d'alimentation ou en utilisant le logiciel de gestion des systèmes.



Finalisation de l'installation du système d'exploitation

Si vous avez acheté un système d'exploitation préinstallé, consultez tout d'abord la documentation associée, qui a été fournie avec l'ordinateur. Si vous installez un système d'exploitation pour la première fois, consultez le document Quick Installation Guide (Guide d'installation rapide). Veillez à installer le système d'exploitation avant tout élément matériel ou logiciel acheté séparément.

Spécifications techniques

Spécifications des lames

Processeur

Type de processeur	
PowerEdge M905	Quatre processeurs AMD Opteron 8000 Series double cœur ou quadruple cœur
PowerEdge M805	Deux processeurs AMD Opteron 2000 Series double cœur ou quadruple cœur
PowerEdge M600	Un ou deux processeurs Intel Xeon double cœur ou quadruple cœur.
PowerEdge M605	Un ou deux processeurs AMD Opteron 2000 Series double cœur ou quadruple cœur

Mémoire

Architecture	
PowerEdge M600	Barrettes de mémoire FBD, cadencées à 677 MHz
PowerEdge M905, M805, M605	Barrettes de mémoire DDR2, cadencées à 677 MHz
Connecteurs mémoire	
PowerEdge M905	24 sockets à 240 broches
PowerEdge M805	16 sockets à 240 broches
PowerEdge M605, M600	Huit sockets à 240 broches
Capacité des barrettes de mémoire	512 Mo (PowerEdge M605 et M600), 1 Go, 2 Go, 4 Go ou 8 Go
RAM minimale	Deux barrettes de mémoire par processeur
PowerEdge M905	8 Go (huit barrettes de mémoire de 1 Go)
PowerEdge M805	4 Go (quatre barrettes de mémoire de 1 Go)
PowerEdge M600, M605	1 Go (deux barrettes de 512 Mo)

Mémoire

RAM maximale

PowerEdge M905	192 Go
PowerEdge M805	128 Go
PowerEdge M600, M605	64 Go

Lecteurs

Disques durs

PowerEdge M805, M905 Un ou deux disques durs SAS enfichables à chaud de 2,5 pouces

PowerEdge M600, M605

Configuration SATA Un ou deux disques durs SATA de 2,5 pouces

Configuration SAS Un ou deux disques durs SAS de 2,5 pouces

REMARQUE : Une lame M600 ou M605 ne peut pas contenir à la fois des disques durs de type SAS et SATA.

Connecteurs

Externes

USB

PowerEdge M805, M905 Trois connecteurs à 4 broches, compatibles USB 2.0

PowerEdge M600, M605 Deux connecteurs à 4 broches, compatibles USB 2.0

Interne

Carte mémoire Secure Digital (PowerEdge M805, M905) Un connecteur pour carte mémoire Secure Digital

Contrôleurs Ethernet

Circuit microprogrammé

PowerEdge M805, M905

Quatre ports Ethernet avec prise en charge TOE et amorçage iSCSI, assurée par deux contrôleurs Ethernet Broadcom 5709S à double port

PowerEdge M600, M605

Deux ports Ethernet avec prise en charge TOE et amorçage iSCSI, assurée par deux contrôleurs Broadcom 5708S intégrés

Contrôleur vidéo

Type de vidéo

Contrôleur vidéo ATI RN50

Mémoire vidéo

32 Mo

Caractéristiques physiques

PowerEdge M905, M805

Hauteur

38,5 cm (15,2 pouce)

Largeur

5 cm (2 pouces)

Profondeur

48,6 cm (19,2 pouces)

Poids (configuration maximale)

11,1 kg (24,5 livres)

PowerEdge M605, M600

Hauteur

18,9 cm (7,4 pouces)

Largeur

5 cm (2 pouces)

Profondeur

48,6 cm (19,2 pouces)

Poids (configuration maximale)

5,2 à 6,4 kg (11,5 à 14 livres)

Batterie

Pile pour serveur lame

Pile bouton au lithium-ion CR2032 (3 V)

Spécifications du châssis

Caractéristiques physiques

Hauteur	44,0 cm (17,3 pouces)
Largeur	44,7 cm (17,6 pouces)
Profondeur	75,5 cm (29,7 pouces)
Poids (configuration maximale)	178,3 kg (392,2 livres)
Poids (à vide)	44,6 kg (98,1 livres)

Bloc d'alimentation

Bloc d'alimentation en CA/CC (selon la tension en vigueur)

Puissance	2360 W
Connecteur	Connecteur C20 NEMA
Dissipation thermique	1205 BTU/h. maximum
Appel de courant maximal	Dans des conditions de ligne typiques et dans toute la gamme ambiante de fonctionnement du système, l'appel de courant peut atteindre 55 A par bloc d'alimentation pendant un maximum de 10 ms.
Tension requise pour le système	200 - 240 V, 16A, triphasé, 50/60Hz 200 - 240 V, 40,5A, monophasé, 50/60Hz

Module Avocent iKVM en option

Connecteurs arrière accessibles de l'extérieur

USB	Deux connecteurs USB 2.0 à 4 broches pour le branchement d'un clavier et d'une souris
Port ACI	RJ-45
Vidéo	VGA, 15 broches

Module contrôleur de gestion du châssis (CMC)

Connecteurs accessibles de l'extérieur

Gestion à distance	Deux connecteurs RJ-45 10/100/1000 Mbps dédiés pour le contrôleur d'accès à distance Ethernet intégré.
Série	Connecteur DTE à 9 broches, compatible 16550
Vidéo	VGA, 15 broches
Batterie	Pile bouton au lithium-ion CR2032 (3 V)
Carte Secure Digital	Un emplacement pour carte Secure Digital dédié à la prise en charge de FlexAddress.

Panneau de commande du châssis

Connecteurs accessibles de l'extérieur

USB	
PowerEdge M905, M805	Trois connecteurs USB 2.0 à 4 broches pour le branchement d'un clavier et d'une souris
PowerEdge M605, M600	Deux connecteurs USB 2.0 à 4 broches pour le branchement d'un clavier et d'une souris
Vidéo	VGA, 15 broches
Panneau de navigation	
Fonctionnalités	Quatre touches de commande du curseur, une touche de sélection, un écran LCD

Spécifications des modules d'E/S

Module commutateur Ethernet PowerConnect M6220

Connecteurs accessibles de l'extérieur

Ethernet - 10/100/1000 Mbps	Quatre ports RJ-45 à négociation automatique
Série	Un connecteur USB 2.0 de type A à quatre broches. Pour la connexion à la console, utilisez l'adaptateur USB fourni (type A vers DB9).
Modules en option	Deux baies d'option. Chaque baie prend en charge un module équipé de deux ports d'empilage de 24 Go, de deux liaisons montantes CX4 de 10 Go ou de deux ports XFP de 10 Go sur fibre optique.

Module commutateur Cisco M7000E Infiniband

Connecteurs accessibles de l'extérieur Huit liaisons montantes DDR Infiniband

Module d'intercommunication Ethernet Gigabit

Connecteurs accessibles de l'extérieur Seize ports Ethernet RJ-45

Module d'intercommunication Fibre Channel

Connecteurs accessibles de l'extérieur

Émetteur-récepteur Fibre Channel	Seize ports SFP externes qui prennent en charge des vitesses FC de 1/2/4 Gbps
----------------------------------	---

Module commutateur Fibre Channel Brocade

Connecteurs accessibles de l'extérieur

Connexions Fibre Channel	Huit ports physiques Fibre Channel dont quatre sont activés par défaut, prenant en charge les connexions Fibre Channel à 1/2/4 Gbps
Port série	RJ-45

Environnement

REMARQUE : Pour plus d'informations concernant les mesures d'exploitation liées à différentes configurations spécifiques, rendez-vous à l'adresse dell.com/environmental_datasheets. Le système n'est pas conçu pour être utilisé dans un bureau.

Température

Fonctionnement

De 10° à 35°C (50 à 95°F)

REMARQUE : Au-dessus de 900 m (2955 pieds), la température maximale doit être diminuée de 1°C (1,8°F) tous les 300 m (985 pieds).

Stockage

De -40° à 65°C (-40° à 149°F)

Humidité relative

Fonctionnement

De 8% à 85% (sans condensation) avec une gradation d'humidité maximale de 10% par heure.

Stockage

De 5% à 95% (sans condensation)

Tolérance maximale aux vibrations

Fonctionnement

0,26 Grms avec un balayage de 10 à 350 Hz pendant 15 min

Stockage

1,54 Grms avec un balayage de 10 à 250 Hz pendant 15 minutes

Choc maximal

Fonctionnement

Une impulsion de choc de 31 G pendant un maximum de 2,6 ms sur l'axe z positif

Stockage

PowerEdge M905, M805

Six chocs consécutifs de 71 G pendant un maximum de 2 ms en positif et négatif sur les axes x, y et z

PowerEdge M605, M600

Six chocs consécutifs de 71 G pendant un maximum de 2 ms en positif et négatif sur les axes x, y et z

Altitude

Fonctionnement

De -16 à 3 048 m (-50 à 10 000 pieds)

Stockage

De -16 à 10 600 m (-50 à 35 000 pieds)

Dell™ PowerEdge™
M905, M805, M605 und M600
Handbuch zum Einstieg



Anmerkungen, Hinweise und Vorsichtshinweise



ANMERKUNG: Eine ANMERKUNG macht auf wichtige Informationen aufmerksam, mit denen Sie das System besser einsetzen können.



HINWEIS: Ein HINWEIS warnt vor möglichen Beschädigungen der Hardware oder vor Datenverlust und zeigt auf, wie derartige Probleme vermieden werden können.



VORSICHT: Hiermit werden Sie auf eine potenziell gefährliche Situation hingewiesen, die zu **Sachschäden, Verletzungen oder zum Tod** führen könnte.

Irrtümer und technische Änderungen vorbehalten.

© 2008 Dell Inc. Alle Rechte vorbehalten.

Nachdrucke jeglicher Art ohne die vorherige schriftliche Genehmigung von Dell Inc. sind strengstens untersagt.

In diesem Text verwendete Marken: *Dell*, das *DELL* Logo und *Dell OpenManage* sind Marken von Dell Inc.; *Microsoft*, *Windows* und *Windows Server* sind Marken oder eingetragene Marken von Microsoft Corporation in den USA und/oder anderen Ländern; *AMD* und *AMD Opteron* sind Marken von Advanced Micro Devices, Inc.; *Intel* und *Xeon* sind eingetragene Marken von Intel Corporation; *SUSE* ist eine eingetragene Marke von Novell, Inc.; *Red Hat* und *Enterprise Linux* sind eingetragene Marken von Red Hat, Inc.; *VMware* ist eine eingetragene Marke von VMware, Inc. in den USA und anderen Gerichtsbarkeiten.

Alle anderen in dieser Dokumentation genannten Marken und Handelsbezeichnungen sind Eigentum der entsprechenden Hersteller und Firmen. Dell Inc. erhebt keinen Anspruch auf Besitzrechte an Marken und Handelsbezeichnungen mit Ausnahme der eigenen.

Modell BMX01

Mai 2008

Teilnr. R431C

Rev. A00

Systemmerkmale

In diesem Kapitel sind die wesentlichen Hardware- und Softwaremerkmale des Systems beschrieben. Ferner erhalten Sie Informationen über weitere nützliche Dokumente, die zur Einrichtung des Systems benötigt werden. Hier erfahren Sie auch, wie Sie technische Unterstützung erhalten können.

Merkmale des Systemgehäuses

Das Systemgehäuse M1000e umfasst die folgenden Merkmale:

Skalierbarkeit

- Unterstützung für bis zu 16 Blades (Servermodule) halber Bauhöhe oder bis zu 8 Blades (Servermodule) voller Bauhöhe.
- Unterstützung für drei E/A-Strukturebenen. Dabei kann zwischen Kombinationen von Ethernet-, Infiniband- und Fibre-Channel-Modulen ausgewählt werden.

Es lassen sich bis zu sechs E/A-Module im Gehäuse installieren. Dabei kann zwischen folgenden Modulen gewählt werden: Fibre Channel-Switches, Fibre-Channel-Passthrough-Module, Infiniband-Switches, Ethernet-Switches und Ethernet-Passthrough-Module.

Zuverlässigkeit

- Neun redundante, hot-plug-fähige Systemlüftermodule.
- Drei hot-plug-fähige 2360-Watt-Netzteile und drei Netzteilplatzhalter, oder sechs hot-plug-fähige 2360-Watt-Netzteile. (Drei Netzteile versorgen das System; mit drei zusätzlichen Netzteilen wird 3+3-Redundanz erreicht.)



HINWEIS: Die Netzteile können nur an eine Leistungsverteileinheit (PDU = Power Distribution Unit) angeschlossen werden. Sie lassen sich nicht direkt an einer Steckdose anschließen.



HINWEIS: Das Systemgehäuse benötigt eine Stromquelle mit 200-240 V.

Systemverwaltung

- Ein Gehäuseverwaltungscontroller (CMC = Chassis Management Controller), der eine Reihe wichtiger Systemverwaltungsfunktionen bereit stellt:
 - Energie- und Temperaturenüberwachung auf Gehäuseebene:
 - Der CMC überwacht den Energiebedarf des Systems und unterstützt den optionalen Betrieb mit „Dynamic Power Supply Engagement“. In diesem Betriebsmodus kann der CMC Netzteile abhängig von Last- und Redundanzanforderungen dynamisch aktivieren oder in Standby versetzen. Dies verbessert die Energieeffizienz.
 - Der CMC informiert in Echtzeit über den Stromverbrauch.
 - Mit dem CMC kann eine optionale Obergrenze für den Stromverbrauch festgelegt werden. Beim Überschreiten des Grenzwerts wird entweder eine Warnmeldung ausgelöst, oder es werden Maßnahmen ergriffen, um den Stromverbrauch des Gehäuses unter der definierten Grenze zu halten.
 - Der CMC überwacht und steuert die Lüfter auf Grundlage tatsächlicher Messwerte von Umgebungs- und internen Temperaturwerten.
 - Der CMC stellt umfassende Informationen zu den Komponenten im Gehäuseinneren sowie Status- und Fehlerberichte bereit.
 - Der CMC ermöglicht die zentrale Konfiguration der folgenden Einstellungen:
 - Netzwerk und Sicherheitseinstellungen des CMC
 - Einstellungen für die Stromversorgungsredundanz und eine Obergrenzendefinition für den Stromverbrauch
 - E/A-Switches und iDRAC-Netzwerkeinstellungen
 - Erstes Startgerät bei den Blades
 - Der CMC überprüft die Konsistenz der E/A-Struktur zwischen den E/A-Modulen und Blades. Falls notwendig, werden Systemkomponenten deaktiviert, um die Systemhardware zu schützen.
 - Sicherheitsmerkmale für den Benutzerzugriff.

- Über einen SD-Karteneinschub auf der CMC-Karte können optional permanente WWNs/MAC-Adressen zugeteilt werden. Das ermöglicht die Vergabe steckplatzgebundener WWNs/MAC-Adressen für Blades, sodass sie leichter installiert und ausgetauscht werden können.

Der CMC ist mit zwei Ethernet-Ports ausgestattet. „Gb1“ dient zur Verbindung mit dem externen Verwaltungsnetzwerk. Über „Stack“ lassen sich CMCs in benachbarten Gehäusen hintereinander schalten.

Ein Ethernet-Switch mit 24 Ports sorgt für die interne Datenkommunikation mit den Blades und E/A-Modulen, dem optionalen iKVM und dem optionalen zweiten, redundanten CMC. Zudem stellt der Switch eine 10/100/1000-MB-Verbindung zu einem externen Verwaltungsnetzwerk bereit.



ANMERKUNG: Der Ethernet-Switch mit 24 Ports ist reserviert für die interne Kommunikation der iDRAC-Schnittstellen der Blades mit dem CMC und anschließend mit dem externen Verwaltungsnetzwerk.

Um Failover-Redundanz bei laufendem Betrieb zu gewährleisten, kann ein zweiter, optionaler CMC installiert werden.

- Ein Gehäuse-Bedienfeld mit LCD-Display, auf dem aktuelle Informationen zur Infrastruktur und den Blades sowie Fehlerberichte angezeigt werden.
- Ein optionales Avocent iKVM-Modul (integriertes Tastatur-/Bildschirm-/Maus-Modul) mit den folgenden Funktionen:
 - Das iKVM-Modul verwaltet alle Blade-Verbindungen, während die Eingaben zwischen den Blades umgeschaltet werden.
 - Der lokale Zugriff auf das iKVM-Modul kann über die iDRAC-Benutzeroberfläche per Fernverbindung für einzelne Blades deaktiviert werden.
 - Ein VGA-Anschluss.
 - Zwei USB-Anschlüsse für Tastatur und Maus.



ANMERKUNG: Die USB-Funktionalität hängt vom Anschluss einer Grafikschnittstelle, z. B. eines Monitorkabels, ab.

- ACI-Port (RJ-45) zur Verbindung mit externen KVM-Switches von Dell und Avocent (analog und KVM over IP) mit ARI-Ports. Die ACI-Verbindung hat Vorrang vor den KVM-Ports auf der rückseitigen Abdeckung.

- Der Zugriff auf das iKVM-Modul kann auch über das Bedienfeld auf der Gehäusevorderseite erfolgen. Die KVM-Funktionalität wird entweder auf der Vorderseite oder auf der Rückseite unterstützt (ein simultaner KVM-Betrieb ist nicht möglich).



ANMERKUNG: Wenn ein Konflikt zwischen den iKVM-Anschlüssen auf der Vorder- und Rückseite auftritt, wird standardmäßig der vordere iKVM-Anschluss aktiviert. Der iKVM-Zugang auf der Vorderseite kann über die Benutzerschnittstelle des CMC deaktiviert werden.

Blade-Funktionen

Leistung

PowerEdge M905

- Vier Dual-Core- oder Quad-Core-Prozessoren der Serie AMD™ Opteron™ 8000.
- Mindestens 8 GB Arbeitsspeicher in Form von DDR2-Speichermodulen mit 677 MHz, erweiterbar auf maximal 192 GB, durch paarweise Installation von 1-GB-, 2-GB-, 4-GB- oder 8-GB-Modulen in den 24 Speichermodulsockeln der Blade-Systemplatine. Das Blade-Modul unterstützt außerdem die Speicherfunktion „Sparing“ (Redundanz), wenn alle acht oder sechzehn Speichermodulsockel mit identischen Speichermodulen belegt sind.
- Ein SD (Secure Digital)-Kartensteckplatz für integrierten Hypervisor-Support.

PowerEdge M805

- Zwei Dual-Core- oder Quad-Core-Prozessoren der Serie AMD Opteron 2000.
- Mindestens 4 GB Arbeitsspeicher in Form von DDR2-Speichermodulen mit 677 MHz, erweiterbar auf maximal 128 GB, durch paarweise Installation von 1-GB-, 2-GB-, 4-GB- oder 8-GB-Modulen in den 16 Speichermodulsockeln der Blade-Systemplatine. Das Blade-Modul unterstützt außerdem die Speicherfunktion „Sparing“ (Redundanz), wenn alle acht oder sechzehn Speichermodulsockel mit identischen Speichermodulen belegt sind.
- Ein SD-Kartensteckplatz für integrierten Hypervisor-Support.

PowerEdge M600

- Ein oder zwei Dual-Core- oder Quad-Core-Prozessoren des Typs Intel® Xeon®
- Mindestens 1 GB Arbeitsspeicher in Form von FBD-Speichermodulen mit 677 MHz, erweiterbar auf maximal 64 GB, durch paarweise Installation von 512-MB-, 1-GB-, 2-GB-, 4-GB- oder 8-GB-Modulen in den acht Speichermodulsockeln der Blade-Systemplatine. Das Blade-Modul unterstützt außerdem die Speicherfunktionen „Sparing“ (Redundanz) oder „Mirroring“ (Spiegelung), wenn alle acht Speichermodulsockel mit identischen Speichermodulen belegt sind.

PowerEdge M605

- Ein oder zwei Dual-Core- oder Quad-Core-Prozessoren der Serie AMD Opteron 2000.
- Mindestens 1 GB Arbeitsspeicher in Form von DDR2-Speichermodulen mit 677 MHz oder 800 MHz, erweiterbar auf maximal 64 GB, durch paarweise Installation von 512-MB-, 1-GB-, 2-GB-, 4-GB- oder 8-GB-Modulen in den acht Speichermodulsockeln der Blade-Systemplatine. Das Blade-Modul unterstützt außerdem die Speicherfunktion „Sparing“ (Redundanz).

Gemeinsame Merkmale

- Die Blade-Module PowerEdge M805 und M905 unterstützen ein oder zwei 2,5-Zoll-SAS-Festplattenlaufwerke.
- Die Blade-Module PowerEdge M600 und M605 unterstützen ein oder zwei 2,5-Zoll-SATA-Festplattenlaufwerke, *oder* ein oder zwei 2,5-Zoll-SAS-Festplattenlaufwerke.



ANMERKUNG: SAS- und SATA-Festplattenlaufwerke können in einem Blade-Modul nicht kombiniert werden.

Der Hot-Plug-Betrieb von Festplattenlaufwerken wird unterstützt, wenn eine optionale RAID-Controllerkarte im Blade-Modul installiert ist.

- Drei USB 2.0-kompatible Anschlüsse (PowerEdge M805 und M905) oder zwei USB 2.0-kompatible Anschlüsse (PowerEdge M605 und M600) für Maus, Tastatur, Flashlaufwerk, Diskettenlaufwerk, optisches Laufwerk oder andere Geräte.



ANMERKUNG: Es werden nur USB-Geräte von Dell unterstützt.

- Integriertes VGA-kompatibles Grafiksубsystem mit einem ATI RN50-Grafikcontroller. Dieses Grafiksубsystem verfügt über einen Grafikspeicher mit 32 MB SDRAM (nicht aufrüstbar). Die maximale Auflösung beträgt 1280 x 1024 bei 65 000 Farben (non-interlaced).
- Ein integrierter Dell Remote Access Controller (iDRAC) bietet Funktionen zur Fernverwaltung und zur Energieverwaltung auf Blade-Ebene, Unterstützung für virtuelle KVM-Module und virtuelle Medien, Remote-Warmmeldungen und Ereignisprotokollierung.
- Vier 1-Gb-Ethernet-Ports, unterstützt durch zwei integrierte Broadcom 5709S Dual-Port-Controller (PowerEdge M805 und M905) oder zwei 1-Gb-Ethernet-Ports, unterstützt durch zwei integrierte Broadcom 5708S Controller (PowerEdge M600 und M605). Das Booten wird sowohl über TCP/IP Offload Engine (TOE) als auch über iSCSI unterstützt.

Eine vollständige Liste der Systemmerkmale finden Sie unter „Technische Daten“ auf Seite 82.

Ihr System ist mit folgender Software ausgestattet:

- System-Setup-Programm zum Anzeigen und Ändern der Systemkonfigurationseinstellungen. Weitere Informationen zu diesem Programm finden Sie unter „Verwenden des System-Setup-Programms“ im *Hardware-Benutzerhandbuch*.
- Verbesserte Sicherheitsfunktionen, einschließlich eines Systemkennworts und eines Setup-Kennworts, die im System-Setup-Programm festgelegt werden
- Diagnose zum Testen der Systemkomponenten und Geräte. Informationen über den Einsatz der Systemdiagnose finden Sie unter „Ausführen der Systemdiagnose“ im *Hardware-Benutzerhandbuch*.
- Grafiktreiber zur Darstellung vieler gängiger Anwendungsprogramme in hoher Auflösung

- Systemverwaltungssoftware und Dokumentation. Mit der Systemverwaltungssoftware werden sowohl die einzelnen Blades verwaltet und überwacht als auch das System als Ganzes, einschließlich aller Blade-Module, Netzwerk-Switchmodule, Netzteile und Lüfter. Die Systemverwaltung ist lokal und per Fernzugriff im Netzwerk möglich. Dell empfiehlt den Einsatz der mit diesem System gelieferten Systemverwaltungssoftware.
- Optionale Softwarelösungen für Web-Hosting, Caching oder Lastausgleich. Nähere Informationen finden Sie in der Softwaredokumentation.

Unterstützte Betriebssysteme

- Microsoft® Windows Server™ 2003, Web, Standard und Enterprise (32-Bit x86) Edition mit SP2
- Microsoft Windows Server 2003 Standard-, Enterprise- und DataCenter (x64)-Editionen mit SP1, SP2
- Microsoft Windows Server 2003 R2 Standard und Enterprise (32-Bit x86) Editionen mit SP1, SP2
- Microsoft Windows Server 2003 R2 Standard-, Enterprise- und DataCenter (x64)-Editionen mit SP1, SP2
- Microsoft Windows Server 2008, Standard Edition mit SP1, SP2, DataCenter und EM64T
- Red Hat® Enterprise Linux® AS, ES und WS, (Version 4) und EM64T
- Red Hat Enterprise Linux AS und ES (Version 4) (ia32)
- Red Hat Enterprise Linux Server AS und ES (Version 5) (ia32)
- Red Hat Enterprise Linux Server AS, ES und WS (Version 5) und EM64T
- SUSE® Linux Enterprise Server 9 (x86_64) mit SP3 und EM64T
- SUSE Linux Enterprise Server 10 (x86_64) und EM64T
- VMWare® ESX 3.1
- VMWare ESX 3.5

Weitere nützliche Informationen



VORSICHT: Beachten Sie die Sicherheits- und Betriebsbestimmungen, die mit Ihrem Computer geliefert wurden. Garantiebestimmungen können als separates Dokument beigelegt sein.

- Die *Konfigurationsanleitung* enthält Informationen zur Konfiguration des Systemgehäuses und der Blades.
- Im zusammen mit der Rack-Lösung gelieferten *Rack-Installationshandbuch* bzw. in der *Rack-Installationsanleitung* ist beschrieben, wie das System in einem Rack installiert wird.
- Im *Hardware-Benutzerhandbuch* erhalten Sie Informationen über Systemfunktionen, zur Fehlerbehebung am System und zum Installieren oder Austauschen von Systemkomponenten. Dieses Dokument befindet sich auf den zusammen mit dem System gelieferten CDs und kann unter support.dell.com heruntergeladen werden.
- Das *Benutzerhandbuch zum Dell Gehäuseverwaltungscontroller* enthält ausführliche Informationen zum Einsatz der Fernverwaltungsfunktionen des Systems.
- Mitgelieferte CDs oder DVDs enthalten Dokumentation und Dienstprogramme zur Konfiguration und Verwaltung des Systems.
- In der Dokumentation zur Systemverwaltungssoftware sind die Merkmale, die Anforderungen, die Installation und der grundlegende Einsatz der Software beschrieben.
- In der Dokumentation zum Betriebssystem ist beschrieben, wie das Betriebssystem installiert (sofern erforderlich), konfiguriert und verwendet wird.
- Dokumentationen für alle separat erworbenen Komponenten enthalten Informationen zur Konfiguration und zur Installation dieser Zusatzgeräte.
- Möglicherweise sind auch aktualisierte Dokumente beigelegt, in denen Änderungen am System, an der Software oder an der Dokumentation beschrieben sind.



ANMERKUNG: Wenn auf der Website support.dell.com aktualisierte Dokumente vorliegen, lesen Sie diese immer zuerst, denn frühere Informationen werden damit gegebenenfalls ungültig.

- Anmerkungen zur Version oder Infodateien sind eventuell eingeschlossen, um Aktualisierungen am System oder der Dokumentation in letzter Minute zu bieten, oder fortgeschrittenes technisches Referenzmaterial, das für erfahrene Benutzer oder Techniker beabsichtigt ist.

Wie Sie technische Unterstützung erhalten

Falls Sie einen Vorgang in diesem Handbuch nicht nachvollziehen können oder das System sich nicht wie erwartet verhält, nehmen Sie das *Hardware-Benutzerhandbuch* zur Hand.

Dell bietet Unternehmenstraining und Zertifizierung an. Weitere Informationen finden Sie unter www.dell.com/training. Diese Dienstleistungen stehen unter Umständen nicht an allen Standorten zur Verfügung.

Installation und Konfiguration

 **VORSICHT: Bevor Sie mit dem folgenden Verfahren beginnen, lesen Sie zunächst die Sicherheitshinweise und wichtigen Vorschriften durch, die Sie zusammen mit Ihrem System erhalten haben. Weitere Informationen zu empfohlenen Sicherheitsmaßnahmen finden Sie unter www.dell.com/regulatory_compliance.**

In diesem Abschnitt ist die erstmalige Einrichtung des Systems beschrieben.

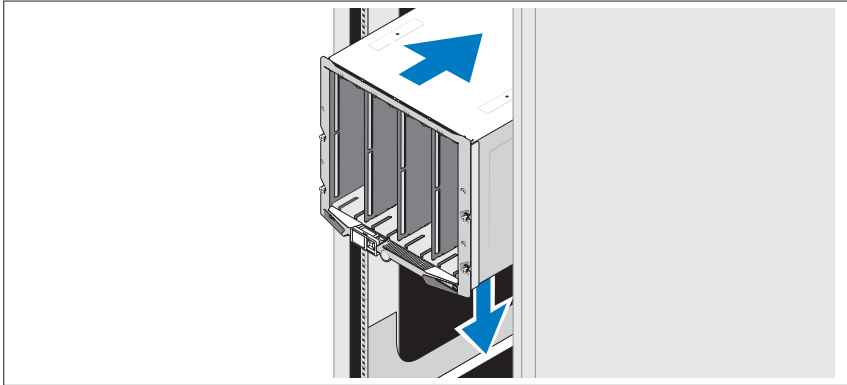
Auspacken des Systems

Entnehmen Sie das System der Verpackung, und identifizieren Sie die einzelnen Komponenten. Bewahren Sie das Verpackungsmaterial für möglichen späteren Gebrauch auf.

Installation des Systems in einem Rack

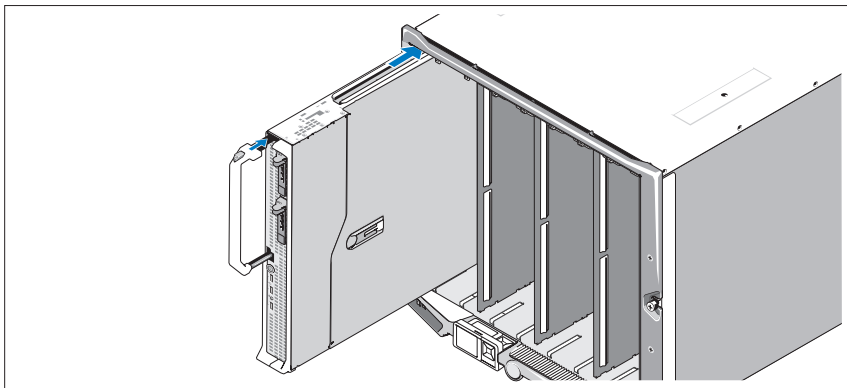
Lesen Sie die Sicherheitshinweise in der Dokumentation zur Rack-Installation für das System, und installieren Sie dann das System im Rack.

Wie Sie das System in einem Rack installieren, erfahren Sie in der Dokumentation zur Rack-Installation. Richtlinien zur Stromversorgung und Kühlung finden Sie in der Kapazitäts-Planungshilfe für Rack-Installationen unter www.dell.com.



Installieren der Blades

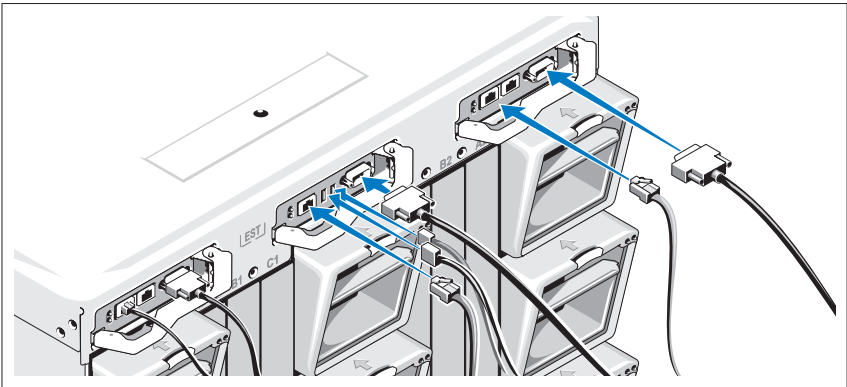
Beginnen Sie oben mit dem Einsetzen der Module, und schieben Sie sie von links nach rechts in das Gehäuse. Wenn das Blade-Modul sicher im Gehäuse sitzt, springt der Griff wieder in die geschlossene Position.



Anschließen des CMC- und des KVM-Moduls

Verbinden Sie das Verwaltungssystem über das serielle Kabel und das Netzkabel mit dem DRAC/MC-Modul. Wenn ein optionales zweites CMC-Modul installiert ist, schließen Sie es ebenfalls an. (Wenn Ihr Gehäuse mit vorinstallierten Blade-Modulen des Typs M805 oder M905 geliefert wurde, ist es mit der Firmwareversion 1.2 oder einer höheren Version ausgerüstet.)

Schließen Sie Tastatur, Maus und Monitor an das optionale iKVM-Modul an.

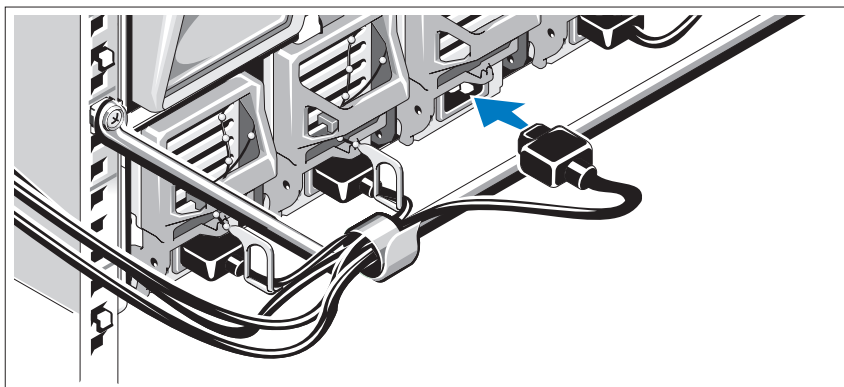


Anschließen des Systems an die Stromversorgung

Verbinden Sie die Netzstromkabel mit den Systemnetzteilen.

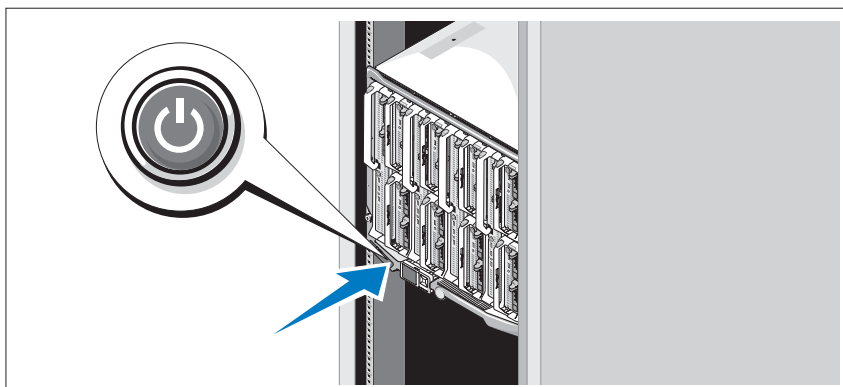
- ➔ **HINWEIS:** Befestigen Sie jedes Netzstromkabel in der Plastikklammer am Netzteil und mit dem Klettstreifen am Zugentlastungsbügel damit sich das Kabel nicht versehentlich lösen kann.

Verbinden Sie anschließend das andere Ende jedes Netzstromkabels jeweils mit einer separaten Stromquelle wie etwa einer unterbrechungsfreien Stromversorgung (USV) oder einem Stromverteiler (PDU).



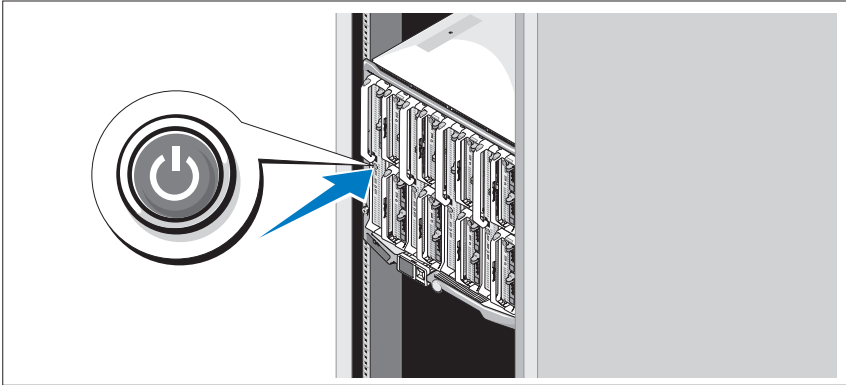
Einschalten des Systems

Drücken Sie den Einschaltknopf am Gehäuse. Daraufhin sollte die Betriebsanzeige aufleuchten.



Einschalten der Blades

Drücken Sie an jedem Blade-Modul den Netzschalter, oder schalten Sie die Module über die Systemverwaltungssoftware ein.



Abschließen des Betriebssystem-Setups

Wenn das Betriebssystem vorinstalliert ist, lesen Sie die zusammen mit dem System gelieferte Dokumentation zum Betriebssystem. Wie Sie ein Betriebssystem erstmalig installieren, erfahren Sie in der Kurz-Installationsanleitung. Das Betriebssystem muss installiert sein, bevor Sie andere, nicht zusammen mit dem System erworbene Hardware oder Software installieren.

Technische Daten

Technische Daten der Blade-Module

Prozessor

Prozessortyp

PowerEdge M905	Vier Dual-Core- oder Quad-Core-Prozessoren der Reihe AMD Opteron 8000
PowerEdge M805	Zwei Dual-Core- oder Quad-Core-Prozessoren der Reihe AMD Opteron 2000
PowerEdge M600	Ein oder zwei Dual-Core- oder Quad-Core-Prozessoren des Typs Intel Xeon
PowerEdge M605	Ein oder zwei Dual-Core- oder Quad-Core-Prozessoren der Reihe AMD Opteron 2000

Speicher

Architektur

PowerEdge M600	FBD-Speichermodule, ausgelegt für den Betrieb mit 677 MHz
PowerEdge M905, M805, M605	DDR2-Speichermodule, ausgelegt für den Betrieb mit 677 MHz

Speichermodulsockel

PowerEdge M905	24 240-polige Sockel
PowerEdge M805	16 240-polige Sockel
PowerEdge M605, M600	Acht 240-polige Sockel

Speichermodulkapazitäten

512 MB (PowerEdge M605 und M600),
1 GB, 2 GB, 4 GB oder 8 GB

RAM (Minimum)

PowerEdge M905	Zwei Speichermodule je Prozessor 8 GB (acht 1-GB-Speichermodule)
PowerEdge M805	4 GB (vier 1-GB-Speichermodule)
PowerEdge M600, M605	1 GB (zwei 512-MB-Speichermodule)

Speicher (fortgesetzt)

RAM (Maximum)

PowerEdge M905	192 GB
PowerEdge M805	128 GB
PowerEdge M600, M605	64 GB

Laufwerke

Festplattenlaufwerke

PowerEdge M805, M905	Ein oder zwei SAS-Festplattenlaufwerke (2,5 Zoll)
PowerEdge M600, M605	
SATA-Konfiguration	Ein oder zwei SATA-Festplattenlaufwerke (2,5 Zoll)
SAS-Konfiguration	Ein oder zwei SAS-Festplattenlaufwerke (2,5 Zoll)

ANMERKUNG: SAS- und SATA-Festplattenlaufwerke können in Blade-Modulen des Typs M600 oder M605 nicht kombiniert werden.

Anschlüsse

Extern

USB

PowerEdge M805, M905	Drei 4-polige Anschlüsse, USB 2.0
PowerEdge M600, M605	Zwei 4-polige Anschlüsse, USB 2.0

Intern

SD-Karte (PowerEdge M805, M905)	Ein Anschluss für SD-Karten
---------------------------------	-----------------------------

Ethernet-Controller

Chipsatz

PowerEdge M805, M905

Vier Ethernet-Ports mit Unterstützung für das Booten über TOE und iSCSI, bereit gestellt durch zwei integrierte Broadcom 5709S Ethernet-Controller mit je zwei Anschlüssen

PowerEdge M600, M605

Zwei Ethernet-Ports mit Unterstützung für das Booten über TOE und iSCSI, bereit gestellt durch zwei integrierte Broadcom 5708S Controller

Grafik-Controller

Grafiktyp

ATI RN50-Grafikcontroller

Videospeicher

32 MB

Abmessungen und Gewicht

PowerEdge M905, M805

Höhe

38,5 cm

Breite

5 cm

Tiefe

48,6 cm

Gewicht (maximale Konfiguration)

11,1 kg

PowerEdge M605, M600

Höhe

18,9 cm

Breite

5 cm

Tiefe

48,6 cm

Gewicht (maximale Konfiguration)

5,2-6,4 kg

Batterie

Blade-Batterie

CR 2032, 3,0-V-Lithium-Ionen-Knopfzelle

Technische Daten des Systemgehäuses

Abmessungen und Gewicht

Höhe	44,0 cm
Breite	44,7 cm
Tiefe	75,5 cm
Gewicht (maximale Konfiguration)	178,3 kg
Gewicht (leer)	44,6 kg

Netzteilmodul

AC-Netzstromversorgung (je Netzteil)

Leistung	2360 W
Konnektor	NEMA C20-Anschluss
Wärmeabgabe	1205 BTU/h. max.
Maximaler Einschaltstrom	Unter typischen Leitungsbedingungen und über den gesamten Umgebungsbetriebsbereich des Systems kann der Einschaltstrom pro Netzteil (über einen Zeitraum von 10 ms oder weniger) 55 A erreichen.
Spannungsanforderungen des Systems	200 - 240 V, 16 A, dreiphasig, 50/60 Hz 200 - 240 V, 40,5 A, einphasig, 50/60 Hz

Optionales Avocent iKVM-Modul

Extern zugängliche Anschlüsse auf der Rückseite

USB	Zwei 4-polige, USB-2.0-konforme Anschlüsse für Tastatur und Maus
ACI-Port	RJ-45
Bildschirm	VGA, 15-polig

Gehäuseverwaltungscontroller-Modul

Extern zugängliche Anschlüsse

Remote-Verwaltung	Zwei reservierte 10/100/1000 Mbit/s-RJ-45-Anschlüsse (für integrierten Ethernet-Remote-Access-Controller).
Seriell	9-polig, DTE, 16550-kompatibel
Bildschirm	VGA, 15-polig
Batterie	CR 2032, 3,0-V-Lithium-Ionen-Knopfzelle
SD-Karte	Ein Steckplatz für eine dedizierte interne SD (Secure Digital)-Flashspeicherkarte zur FlexAddress-Unterstützung.

Gehäuse-Systemsteuerung

Extern zugängliche Anschlüsse

USB	
PowerEdge M905, M805	Drei 4-polige, USB-2.0-konforme Anschlüsse für Tastatur und Maus
PowerEdge M605, M600	Zwei 4-polige, USB-2.0-konforme Anschlüsse für Tastatur und Maus
Bildschirm	VGA, 15-polig
Navigationfeld	
Funktionen	Vier Cursorsteuertasten, eine Auswahltaste, LCD-Bildschirm

Technische Daten des E/A-Moduls

PowerConnect M6220 Ethernet-Switchmodul

Extern zugängliche Anschlüsse

10/100/1000-Mbit/s-Ethernet	Vier RJ-45-Ports mit automatischer Aushandlung
Seriell	Ein 4-poliger USB 2.0-Anschluss Typ A. (Um Geräte mit serieller Schnittstelle mit dem Terminal zu verbinden, verwenden Sie den beigelegten USB-Typ-A-zu-DB9-Adapter)
Optionale Module	Zwei Schächte für optionale Module. Jeder Schacht unterstützt ein Modul mit zwei Stack-Ports (24-Gbit/s), zwei CX4-Kupfer-Uplinks (10-Gbit/s) oder zwei optische XFP-Anschlüsse (10-Gbit/s).

Cisco M7000E Infiniband Switch-Modul

Extern zugängliche Anschlüsse	Acht DDR-Infiniband-Uplink-Ports
-------------------------------	----------------------------------

Gb-Ethernet-Passthrough-Modul

Extern zugängliche Anschlüsse	Sechzehn RJ-45 Ethernet-Ports
-------------------------------	-------------------------------

Fibre-Channel-Passthrough-Modul

Extern zugängliche Anschlüsse

Fibre-Channel-Transceiver	Sechzehn externe SFP-Anschlüsse mit Unterstützung für FC-Geschwindigkeiten von 1/2/4 Gbit/s
---------------------------	---

Brocade Fibre-Channel-Switchmodul

Extern zugängliche Anschlüsse

Fibre-Channel	Acht physische FC-Ports (vier standardmäßig aktiviert, erweiterbar auf acht) mit Unterstützung für Fibre-Channel-Verbindungen mit 1/2/4 Gbit/s
Serielle Schnittstelle	RJ-45

Umgebungsbedingungen

ANMERKUNG: Weitere Informationen zu Umgebungsbedingungen für bestimmte Systemkonfigurationen finden Sie unter dell.com/environmental_datasheets.

Das System ist nicht zur Verwendung in Büroumgebungen vorgesehen.

Temperatur

Während des Betriebs

10 bis 35 °C

ANMERKUNG: Oberhalb von 900 m muss von der maximalen Temperatur 1 °C pro 300 m abgezogen werden.

Lagerung

-40 bis 65 °C

Relative Luftfeuchtigkeit

Während des Betriebs

8 % bis 85 % (nicht-kondensierend) mit einem Anstieg der Luftfeuchtigkeit von 10 % pro Stunde

Lagerung

5 bis 95 % (nicht kondensierend)

Zulässige Erschütterung

Während des Betriebs

0,26 g Effektivbeschleunigung (GRMS) bei 10-350 Hz, 15 min lang

Lagerung

1,54 g Effektivbeschleunigung (GRMS) bei 10-250 Hz, 15 min lang

Zulässige Stoßeinwirkung

Während des Betriebs

Ein Stoß von 31 G in der positiven z-Achse über einen Zeitraum von bis zu 2,6 ms.

Lagerung

PowerEdge M905, M805

Sechs hintereinander ausgeführte Stöße mit 71 G von bis zu 2 ms Dauer in positiver und negativer X-, Y- und Z-Richtung.

PowerEdge M605, M600

Sechs hintereinander ausgeführte Stöße mit 71 G von bis zu 2 ms Dauer in positiver und negativer X-, Y- und Z-Richtung.

Höhe über NN

Während des Betriebs

-16 bis 3 048 m

Lagerung

-16 bis 10 600 m

Dell™ PowerEdge™
M905, M805, M605 και M600

Τα πρώτα βήματα
με το σύστημά σας



Σημειώσεις, ειδοποιήσεις και προσοχές



ΣΗΜΕΙΩΣΗ: Η ένδειξη ΣΗΜΕΙΩΣΗ υποδεικνύει σημαντικές πληροφορίες που σας βοηθούν να χρησιμοποιήσετε πιο σωστά τον υπολογιστή σας.



ΕΙΔΟΠΟΙΗΣΗ: Η ένδειξη ΕΙΔΟΠΟΙΗΣΗ υποδεικνύει είτε πιθανή βλάβη του υλικού είτε απώλεια δεδομένων και σας πληροφορεί πώς να αποφύγετε το πρόβλημα.



ΠΡΟΣΟΧΗ: Η ένδειξη ΠΡΟΣΟΧΗ υποδεικνύει την πιθανότητα υλικής ζημιάς, προσωπικού τραυματισμού ή θανάτου.

Οι πληροφορίες που περιέχονται στο παρόν έγγραφο ενδέχεται να αλλάξουν χωρίς προηγούμενη ειδοποίηση.

© 2008 Dell Inc. Με επιφύλαξη όλων των δικαιωμάτων.

Απαγορεύεται αυστηρώς η αναπαραγωγή με οποιονδήποτε τρόπο χωρίς την έγγραφη άδεια της Dell Inc.

Εμπορικά σήματα που χρησιμοποιούνται σε αυτό το κείμενο: Η ονομασία *Dell*, το λογότυπο *DELL* και η ονομασία *Dell OpenManage* είναι εμπορικά σήματα της Dell Inc. Οι ονομασίες *Microsoft*, *Windows* και *Windows Server* είναι είτε εμπορικά σήματα είτε σήματα κατατεθέντα της Microsoft Corporation στις Ηνωμένες Πολιτείες ή/και σε άλλες χώρες. Οι ονομασίες *AMD* και *AMD Opteron* είναι εμπορικά σήματα της Advanced Micro Devices, Inc. Οι ονομασίες *Intel* και *Xeon* είναι σήματα κατατεθέντα της Intel Corporation. Η ονομασία *SUSE* είναι σήμα κατατεθέν της Novell, Inc. Οι ονομασίες *Red Hat* και *Enterprise Linux* είναι σήματα κατατεθέντα της Red Hat, Inc. Η ονομασία *VMware* είναι σήμα κατατεθέν της VMware, Inc. στις Ηνωμένες Πολιτείες και σε άλλες περιοχές δικαιοδοσίας.

Στο παρόν έγγραφο ενδέχεται να χρησιμοποιούνται άλλα εμπορικά σήματα και εμπορικές ονομασίες για αναφορά στις οντότητες που διεκδικούν τα σήματα και τις ονομασίες ή για αναφορά στα προϊόντα τους. Η Dell Inc. αποποιείται οποιοδήποτε πιθανό συμφέρον ιδιοκτησίας από εμπορικά σήματα και εμπορικές ονομασίες εκτός από αυτά που έχει στην κατοχή της.

Πρότυπο **BMX01**

Μάιος 2008

P/N R431C

Αναθ. A00

Χαρακτηριστικά συστήματος

Η ενότητα αυτή περιγράφει τα κύρια χαρακτηριστικά λογισμικού και υλικού του συστήματός σας. Παρέχει επίσης πληροφορίες σχετικά με άλλα έγγραφα που ενδέχεται να χρειαστείτε για τη ρύθμιση του συστήματός σας και σχετικά με τον τρόπο λήψης τεχνικής βοήθειας.

Δυνατότητες καλύμματος συστήματος

Το κάλυμμα του συστήματος M1000e (πλαίσιο) περιλαμβάνει τις ακόλουθες δυνατότητες:

Δυνατότητες προσαρμογής

- Υποστήριξη για έως και 16 μονάδες μισού ύψους ή 8 μονάδες πλήρους ύψους (μονάδες διακομιστή).
- Υποστήριξη για 3 επίπεδα κατασκευής I/O, που μπορούν να επιλεγούν μεταξύ συνδυασμών μονάδων Ethernet, Infiniband και Καναλιού ινών.

Στο πλαίσιο μπορούν εγκατασταθούν έως 6 μονάδες I/O, οι οποίες μπορούν να επιλεγούν από τους μεταγωγείς του Καναλιού ινών, τις διελεύσεις μέσω του Καναλιού ινών, τους μεταγωγείς Infiniband, τους μεταγωγείς Ethernet και τις μονάδες διέλευσης Ethernet.

Χαρακτηριστικά αξιοπιστίας

- Εννέα εφεδρικές, θερμής σύνδεσης, μονάδες ανεμιστήρα συστήματος.
- Τρεις παροχές τροφοδοσίας των 2.360 Watt, θερμής σύνδεσης και τρεις κενές παροχές τροφοδοσίας ή έξι παροχές τροφοδοσίας των 2.360 Watt, θερμής σύνδεσης. (Τρεις παροχές τροφοδοσίας παρέχουν ρεύμα στο σύστημα. Η προσθήκη τριών πρόσθετων παροχών τροφοδοσίας παρέχει δυνατότητα εφεδρείας 3+3.)



ΕΙΔΟΠΟΙΗΣΗ: Οι παροχές τροφοδοσίας μπορούν να συνδεθούν μόνο σε μονάδα διανομής ρεύματος (PDU). Δεν είναι δυνατό να συνδεθούν απευθείας σε ηλεκτρική πρίζα.




ΕΙΔΟΠΟΙΗΣΗ: Το πλαίσιο του συστήματος απαιτεί τροφοδοσία 200-240 V.

Δυνατότητες διαχείρισης συστημάτων

- Ελεγκτής διαχείρισης πλαισίου (CMC), ο οποίος παρέχει αρκετές βασικές δυνατότητες διαχείρισης συστημάτων:
 - Ενεργειακή διαχείριση και διαχείριση θερμότητας σε επίπεδο καλύμματος:
 - Ο ελεγκτής CMC παρακολουθεί τις ενεργειακές απαιτήσεις του συστήματος και υποστηρίζει την προαιρετική λειτουργία δυναμικής δέσμευσης τροφοδοσίας (Dynamic Power Supply Engagement), ούτως ώστε ο ελεγκτής CMC να μπορεί να ενεργοποιήσει τροφοδοσίες ή να τις θέσει σε κατάσταση αναμονής, ανάλογα με τις απαιτήσεις φορτίου και εφεδρείας, προκειμένου να βελτιωθεί η ενεργειακή αποδοτικότητα.
 - Ο ελεγκτής CMC αναφέρει την κατανάλωση ρεύματος σε πραγματικό χρόνο.
 - Ο ελεγκτής CMC υποστηρίζει ένα προαιρετικό ανώτερο όριο, στο οποίο είτε θα ενεργοποιηθεί ένας συναγερμός είτε θα πραγματοποιηθούν ορισμένες ενέργειες προκειμένου να διατηρηθεί η κατανάλωση ρεύματος κάτω από το προκαθορισμένο ανώτερο όριο.
 - Ο ελεγκτής CMC παρακολουθεί και ελέγχει τους ανεμιστήρες ψύξης με βάση τις μετρήσεις της τρέχουσας θερμοκρασίας περιβάλλοντος και της εσωτερικής θερμοκρασίας.
 - Ο ελεγκτής CMC παρέχει αναλυτικό κατάλογο καλύμματος και αναφορά κατάστασης/σφαλμάτων.
 - Ο ελεγκτής CMC επιτρέπει την κεντροποιημένη διαμόρφωση των επόμενων ρυθμίσεων:
 - Ρυθμίσεις δικτύου και ασφαλείας του ελεγκτή CMC
 - Ρυθμίσεις εφεδρείας ρεύματος και ανώτερου ορίου ρεύματος
 - Ρυθμίσεις διακοπών I/O και δικτύου iDRAC
 - Πρώτη συσκευή εκκίνησης στις μονάδες
 - Ο ελεγκτής CMC θα ελέγχει την ακρίβεια κατασκευής του I/O μεταξύ των υπομονάδων I/O και των μονάδων και, εάν είναι απαραίτητο, θα απενεργοποιεί εξαρτήματα του συστήματος για να προστατέψει το υλικό του συστήματος.


- Ασφάλεια πρόσβασης χρήση.
- Μια υποδοχή κάρτας SD στην κάρτα του ελεγκτή CMC υποστηρίζει την προαιρετική δυνατότητα διατηρούμενου WWN/MAC που επιτρέπει τα WWN/MAC, βασιζόμενα στην υποδοχή, για τις μονάδες, απλοποιώντας την εγκατάσταση και αντικατάσταση των μονάδων.

Ο ελεγκτής CMC διαθέτει δύο θύρες Ethernet. Το "Gb1" χρησιμοποιείται για τη σύνδεση στο εξωτερικό δίκτυο διαχείρισης. Η "στοίβα" επιτρέπει την αλυσιδωτή σύνδεση CMC σε γειτονικά καλύμματα. Ένας μεταγωγέας Ethernet με 24 θύρες παρέχει εσωτερική επικοινωνία στα 100 Mb με τις μονάδες, τις υπομονάδες I/O, το προαιρετικό iKVM και τον προαιρετικό δεύτερο, εφεδρικό ελεγκτή CMC, ενώ προσφέρει σύνδεση 10/100/1000 Mb με το εξωτερικό δίκτυο διαχείρισης.

 **ΣΗΜΕΙΩΣΗ:** Ο μεταγωγέας Ethernet με τις 24 θύρες διατηρείται για την εσωτερική επικοινωνία ανάμεσα στο iDRAC των μονάδων και τον ελεγκτή CMC, και στη συνέχεια, με το εξωτερικό δίκτυο διαχείρισης.


Ένας δεύτερος, προαιρετικός ελεγκτής CMC μπορεί να εγκατασταθεί για εφεδρεία θερμής σύνδεσης σε περίπτωση αστοχίας.

- Ένας πίνακας ελέγχου καλύμματος που περιλαμβάνει οθόνη LCD και παρέχει πληροφορίες για την τρέχουσα υποδομή και τη μονάδα, καθώς και αναφορά σφαλμάτων.
- Προαιρετική ενσωματωμένη υπομονάδα Avocent με πληκτρολόγιο, οθόνη και ποντίκι (iKVM), η οποία διαθέτει τις παρακάτω δυνατότητες:
 - Η υπομονάδα iKVM διατηρεί όλες τις συνδέσεις της μονάδας καθώς η είσοδος εναλλάσσεται από κάθε μονάδα.
 - Η τοπική πρόσβαση στην υπομονάδα iKVM μπορεί να απενεργοποιηθεί από απόσταση για οποιαδήποτε μονάδα μέσω της διασύνδεσης χρήστη iDRAC.
 - Ένας συνδετήρας VGA.
 - Δύο θύρες USB για τις συνδέσεις πληκτρολογίου και ποντικιού.

 **ΣΗΜΕΙΩΣΗ:** Η λειτουργικότητα του USB εξαρτάται από τη σύνδεση μιας διασύνδεσης βίντεο, όπως για παράδειγμα ένα καλώδιο οθόννης.

- Μία θύρα RJ-45 ACI για σύνδεση με εξωτερικούς μεταγωγείς Dell και αναλογικούς μεταγωγείς Avocent KVM και KVM μέσω IP με θύρες ARI. Η σύνδεση ACI έχει προτεραιότητα ως προς τις θύρες KVM του πίσω πίνακα.

- Επίσης, η υπομονάδα iKVM μπορεί να προσπελαστεί από τον πίνακα χειρισμού που βρίσκεται στο μπροστινό τμήμα του καλύμματος. Υποστηρίζεται είτε η μπροστινή είτε η πίσω λειτουργία KVM (η ταυτόχρονη λειτουργία δεν υποστηρίζεται).

 **ΣΗΜΕΙΩΣΗ:** Η μπροστινή υπομονάδα iKVM είναι ενεργοποιημένη από προεπιλογή εάν υφίσταται διένεξη μεταξύ των μπροστινών και των οπίσθιων θυρών iKVM. Η πρόσβαση από τις μπροστινές θύρες iKVM μπορεί να απενεργοποιηθεί μέσω της διασύνδεσης χρήστη CMC.

Δυνατότητες μονάδας

Χαρακτηριστικά απόδοσης

PowerEdge M905

- Τέσσερις επεξεργαστές AMD™ Opteron™ σειράς 8000 διπλού ή τετραπλού πυρήνα.
- Τουλάχιστον 8 GB μονάδων μνήμης στα 677 MHz DDR2, με δυνατότητα αναβάθμισης σε 192 GB το μέγιστο, με εγκατάσταση ζευγών μονάδων των 1 GB, 2 GB, 4 GB ή 8 GB στις 24 υποδοχές μονάδων μνήμης επάνω στην πλακέτα του συστήματος της μονάδας. Η μονάδα υποστηρίζει επίσης πλεόνασμα μνήμης, εφόσον οι 8 ή οι 18 υποδοχές μονάδων μνήμης κατέχονται από όμοιες μονάδες μνήμης.
- Υποδοχή κάρτας SD (Secure Digital) για ενσωματωμένη υποστήριξη Hypervisor.

PowerEdge M805

- Δύο επεξεργαστές AMD Opteron σειράς 2000 διπλού ή τετραπλού πυρήνα.
- Τουλάχιστον 4 GB μονάδων μνήμης στα 677 MHz DDR2, με δυνατότητα αναβάθμισης σε 128 GB το μέγιστο, με εγκατάσταση ζευγών μονάδων των 1 GB, 2 GB, 4 GB ή 8 GB στις 16 υποδοχές μονάδων μνήμης επάνω στην πλακέτα του συστήματος της μονάδας. Η μονάδα υποστηρίζει επίσης πλεόνασμα μνήμης, εφόσον οι 8 ή οι 18 υποδοχές μονάδων μνήμης κατέχονται από όμοιες μονάδες μνήμης.
- Υποδοχή κάρτας SD για ενσωματωμένη υποστήριξη Hypervisor.

PowerEdge M600

- Ένας ή δύο επεξεργαστές Intel® Xeon® διπλού ή τετραπλού πυρήνα
- Τουλάχιστον 1 GB μονάδων μνήμης στα 677 MHz FBD, με δυνατότητα αναβάθμισης σε 64 GB το μέγιστο, με εγκατάσταση ζευγών μονάδων των 512 MB, 1 GB, 2 GB, 4 GB ή 8 GB στις 8 υποδοχές μονάδων μνήμης επάνω στην πλακέτα του συστήματος της μονάδας. Η μονάδα υποστηρίζει επίσης πλεόνασμα ή κατοπτρικό είδωλο μνήμης, αν και οι οκτώ υποδοχές μονάδων μνήμης κατέχονται από όμοιες μονάδες μνήμης.

PowerEdge M605

- Ένας ή δύο επεξεργαστές AMD Opteron σειράς 2000, διπλού ή τετραπλού πυρήνα.
- Τουλάχιστον 1 GB μονάδων μνήμης στα 677 MHz ή 800 MHz DDR2, με δυνατότητα αναβάθμισης σε 64 GB το μέγιστο, με εγκατάσταση ζευγών μονάδων των 512 MB, 1 GB, 2 GB, 4 GB ή 8 GB στις 8 υποδοχές μονάδων μνήμης επάνω στην πλακέτα του συστήματος της μονάδας. Η μονάδα υποστηρίζει επίσης πλεόνασμα μνήμης.

Κοινές δυνατότητες

- Οι μονάδες PowerEdge M805 και M905 υποστηρίζουν έναν ή δύο σκληρούς δίσκους SAS των 2,5 ιντσών.
- Οι μονάδες PowerEdge M600 και M605 υποστηρίζουν από έναν ή δύο δίσκους SATA των 2,5 ιντσών ή έναν ή δύο δίσκους SAS των 2,5 ιντσών.



ΣΗΜΕΙΩΣΗ: Μέσα στην ίδια μονάδα δεν είναι δυνατό να αναμιχθούν σκληροί δίσκοι SAS και SATA.

Υποστηρίζεται η λειτουργία συσκευής θερμής σύνδεσης εάν στη μονάδα υπάρχει εγκατεστημένη προαιρετική κάρτα ελεγκτή RAID.

- Οι τρεις θύρες συμβατές με USB 2.0 (PowerEdge M805 και M905) ή οι δύο θύρες συμβατές με USB 2.0 (PowerEdge M605 και M600) υποστηρίζουν συσκευές όπως ποντίκι, πληκτρολόγιο, μονάδα flash, μονάδα δισκέτας ή μονάδα οπτικών δίσκων.



ΣΗΜΕΙΩΣΗ: Υποστηρίζονται μόνο οι συσκευές USB που μπορείτε να προμηθευτείτε από την Dell.

- Ένα ενσωματωμένο υποσύστημα οθόνης συμβατό με VGA με ελεγκτή οθόνης ATI RN50. Αυτό το υποσύστημα οθόνης περιέχει 32 MB μνήμης οθόνης SDRAM (χωρίς δυνατότητα αναβάθμισης). Η μέγιστη ανάλυση είναι 1280 x 1024 x 65.000 χρώματα (χωρίς διεμπλοκή).
- Ενσωματωμένος ελεγκτής απομακρυσμένης πρόσβασης της Dell (iDRAC), ο οποίος παρέχει απομακρυσμένη διαχείριση συστημάτων, ενεργειακή διαχείριση σε επίπεδο μονάδας, εικονικό KVM και υποστήριξη εικονικών μέσων, απομακρυσμένης ειδοποίησης και καταγραφή συμβάντων.
- Τέσσερις θύρες Ethernet 1 GB που υποστηρίζονται από δύο ενσωματωμένους ελεγκτές διπλής θύρας Broadcom 5709S (PowerEdge M805 και M905) ή δύο θύρες Ethernet 1 GB που υποστηρίζονται από δύο ενσωματωμένους ελεγκτές Broadcom 5708S (PowerEdge M600 και M605). Υποστηρίζεται η μηχανή εκφόρτωσης TCP/IP (TOE) και η λειτουργία εκκίνησης iSCSI.

Για μια ολοκληρωμένη λίστα των δυνατοτήτων του συστήματος, δείτε "Τεχνικές προδιαγραφές" στη σελίδα 104.

Με το σύστημά σας περιλαμβάνεται το παρακάτω λογισμικό:

- Ένα πρόγραμμα Εγκατάστασης συστήματος για γρήγορη προβολή και αλλαγή των πληροφοριών διαμόρφωσης του συστήματος. Για περισσότερες πληροφορίες σχετικά με αυτό το πρόγραμμα, ανατρέξτε στη "Χρήση του Προγράμματος εγκατάστασης συστήματος" στο *Εγχειρίδιο κατόχου υλικού*.
- Βελτιωμένα χαρακτηριστικά ασφάλειας, συμπεριλαμβανομένου ενός κωδικού πρόσβασης στο σύστημα και ενός κωδικού για την εγκατάσταση, τα οποία είναι διαθέσιμα μέσω του προγράμματος Εγκατάστασης συστήματος.
- Διαγνωστικά προγράμματα συστήματος για την αξιολόγηση συστατικών στοιχείων και συσκευών του συστήματος. Για περισσότερες πληροφορίες σχετικά με τα διαγνωστικά προγράμματα, ανατρέξτε στην ενότητα "Εκτέλεση των διαγνωστικών προγραμμάτων του συστήματος" στο *Εγχειρίδιο κατόχου υλικού*.
- Προγράμματα οδήγησης οθόνης για την εμφάνιση πολλών δημοφιλών προγραμμάτων εφαρμογών σε λειτουργίες υψηλής ανάλυσης.

- Λογισμικό και τεκμηρίωση για τη διαχείριση συστημάτων. Το λογισμικό διαχείρισης συστημάτων χρησιμοποιείται για τη διαχείριση και την παρακολούθηση κάθε ξεχωριστής μονάδας, καθώς και του συστήματος ως σύνολο, συμπεριλαμβανομένων των μονάδων, των μονάδων μεταγωγή δικτύου, των τροφοδοσιών και των ανεμιστήρων. Το λογισμικό διαχείρισης συστημάτων διαχειρίζεται το σύστημα τοπικά και απομακρυσμένα σε ένα δίκτυο. Η Dell συνιστά να χρησιμοποιείτε το λογισμικό διαχείρισης συστημάτων που παρέχεται με αυτό το σύστημα.
- Προαιρετικό λογισμικό λύσεων για φιλοξενία στο Web, ενεργοποίηση κρυφής μνήμης ή ισοστάθμιση φορτίου. Ανατρέξτε στην τεκμηρίωση του λογισμικού λύσεών σας για περισσότερες πληροφορίες.

Λειτουργικά συστήματα που υποστηρίζονται


- Microsoft® Windows Server™ 2003, εκδόσεις Web, Standard και Enterprise (32 bit x86) με SP2
- Microsoft Windows Server 2003, εκδόσεις Standard, Enterprise και DataCenter (x64) με SP1, SP2
- Microsoft Windows Server 2003 R2, εκδόσεις Standard και Enterprise (32 bit x86) με SP1, SP2
- Microsoft Windows Server 2003 R2, εκδόσεις Standard, Enterprise και DataCenter (x64) με SP1, SP2
- Microsoft Windows Server 2008, έκδοση Standard με SP1, SP2, DataCenter και EM64T
- Red Hat® Enterprise Linux® AS, ES και WS (έκδοση 4) και EM64T
- Red Hat Enterprise Linux AS και ES (έκδοση 4) (ia32)
- Red Hat Enterprise Linux Server AS και ES (έκδοση 5) (ia32)
- Red Hat Enterprise Linux Server AS, ES και WS (έκδοση 5) και EM64T
- SUSE® Linux Enterprise Server 9 (x86_64) με SP3 και EM64T
- SUSE Linux Enterprise Server 10 (x86_64) και EM64T
- VMWare® ESX 3.1
- VMWare ESX 3.5

Άλλες πληροφορίες που ενδέχεται να χρειαστείτε



ΠΡΟΣΟΧΗ: Ανατρέξτε στις πληροφορίες ασφαλείας και τις πληροφορίες σχετικά με τους ρυθμιστικούς κανόνες που αποστέλλεται μαζί με το σύστημά σας. Οι πληροφορίες για την εγγύηση ενδέχεται να συμπεριλαμβάνονται μέσα σε αυτό το έγγραφο ή ως ξεχωριστό έγγραφο.

- Ο *Οδηγός διαμόρφωσης* παρέχει πληροφορίες για τη διαμόρφωση του καλύμματος και των μονάδων του συστήματος.
- Ο *Οδηγός εγκατάστασης σε ράφι* ή οι *Οδηγίες εγκατάστασης σε ράφι* που συνοδεύουν τη δική σας λύση σε ράφι περιγράφουν τον τρόπο εγκατάστασης του συστήματός σας σε ράφι.
- Το *Εγχειρίδιο κατόχου υλικού* παρέχει πληροφορίες σχετικά με τα χαρακτηριστικά του συστήματος και περιγράφει την αντιμετώπιση προβλημάτων του συστήματός σας και την εγκατάσταση ή την αντικατάσταση συστατικών στοιχείων του συστήματος. Το έγγραφο αυτό μπορεί να εντοπιστεί στα CD που συνοδεύουν το σύστημά σας ή στη διεύθυνση **support.dell.com**.
- Ο *Οδηγός χρήστη ελεγκτή διαχείρισης πλαισίου της Dell* παρέχει λεπτομερείς πληροφορίες σχετικά με τη χρήση των χαρακτηριστικών απομακρυσμένης διαχείρισης του συστήματος.
- Οι δίσκοι CD ή DVD που συνοδεύουν το σύστημά σας παρέχουν τεκμηρίωση και εργαλεία για τη ρύθμιση παραμέτρων και τη διαχείριση του συστήματός σας.
- Η τεκμηρίωση του λογισμικού διαχείρισης συστημάτων περιγράφει τα χαρακτηριστικά, τις απαιτήσεις, την εγκατάσταση και τη βασική λειτουργία του λογισμικού.
- Η τεκμηρίωση του λειτουργικού συστήματος περιγράφει τον τρόπο εγκατάστασης (εάν είναι απαραίτητο), διαμόρφωσης και χρήσης του λογισμικού του λειτουργικού συστήματος.
- Η τεκμηρίωση για συστατικά στοιχεία που τυχόν αγοράσατε ξεχωριστά παρέχει πληροφορίες για τη ρύθμιση παραμέτρων και την εγκατάσταση αυτών των επιλογών.

- Μερικές φορές παρέχονται ενημερωμένες εκδόσεις μαζί με το σύστημα, για να περιγράψουν αλλαγές στο σύστημα, το λογισμικό ή/και την τεκμηρίωση.
 **ΣΗΜΕΙΩΣΗ:** Ελέγχετε πάντοτε για ενημερωμένες εκδόσεις στην τοποθεσία support.dell.com και να διαβάζετε πρώτα τις ενημερωμένες εκδόσεις επειδή πολύ συχνά καθιστούν ξεπερασμένες τις πληροφορίες άλλων εγγράφων.
- Σημειώσεις έκδοσης ή αρχεία readme ενδέχεται να περιλαμβάνονται για να παρέχουν τις τελευταίες ενημερώσεις για το σύστημα, όπως επίσης τεκμηρίωση ή προχωρημένο υλικό αναφοράς για τεχνικά θέματα που προορίζονται για έμπειρους χρήστες ή τεχνικούς.

Λήψη τεχνικής βοήθειας


Εάν δεν κατανοείτε μια διαδικασία του οδηγού αυτού ή αν το σύστημα δεν λειτουργεί με τον αναμενόμενο τρόπο, ανατρέξτε στο *Εγχειρίδιο κατόχου υλικού*.

Είναι διαθέσιμη η Επιχειρηματική εκπαίδευση και πιστοποίηση της Dell.

Για περισσότερες πληροφορίες, ανατρέξτε στη διεύθυνση dell.com/training.

Η υπηρεσία αυτή ενδέχεται να μην προσφέρεται σε όλες τις τοποθεσίες.

Εγκατάσταση και ρύθμιση παραμέτρων

 **ΠΡΟΣΟΧΗ:** Προτού πραγματοποιήσετε την παρακάτω διαδικασία, διαβάστε και ακολουθήστε τις οδηγίες ασφαλείας και τους σημαντικούς ρυθμιστικούς κανόνες που αποστέλλεται μαζί με το σύστημά σας. Για επιπλέον πληροφορίες σχετικά τις ορθές πρακτικές ασφαλείας, ανατρέξτε στη διεύθυνση www.dell.com/regulatory_compliance.

Η ενότητα αυτή περιγράφει τα βήματα που απαιτούνται για την αρχική ρύθμιση των παραμέτρων του συστήματός σας.

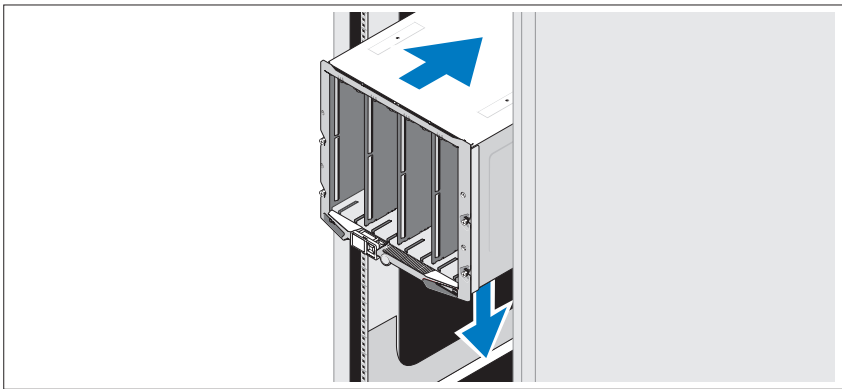
Άνοιγμα της συσκευασίας του συστήματος

Ανοίξτε τη συσκευασία του συστήματός σας και αναγνωρίστε κάθε αντικείμενο. Φυλάξτε όλα τα υλικά που σας αποστάλθηκαν για την περίπτωση που θα τα χρειαστείτε αργότερα.

Τοποθέτηση του συστήματος σε ράφι

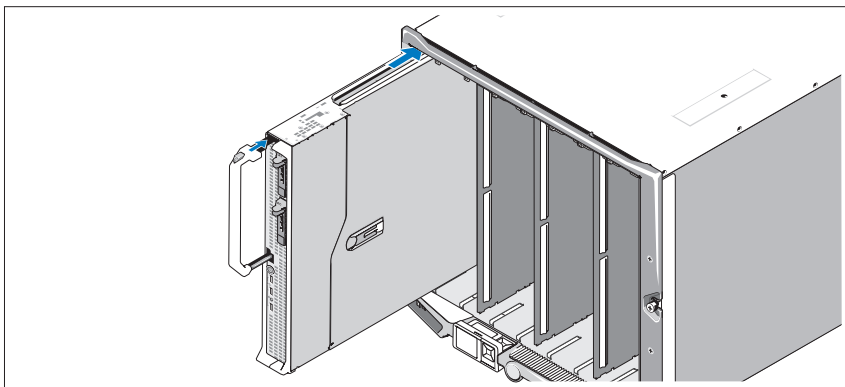
Τοποθετήστε το σύστημα σε ράφι αφού ολοκληρώσετε την ανάγνωση των "Οδηγιών ασφαλείας" που βρίσκονται στην τεκμηρίωση εγκατάστασης σε ράφι για το σύστημά σας.

Για οδηγίες σχετικά με την εγκατάσταση του συστήματός σας σε ράφι, ανατρέξτε στην τεκμηρίωση εγκατάστασης σε ράφι. Για οδηγίες σχετικά με την τροφοδοσία και την ψύξη, ανατρέξτε στο εργαλείο σχεδιασμού χωρητικότητας ραφίου στη διεύθυνση www.dell.com.



Εγκατάσταση των μονάδων

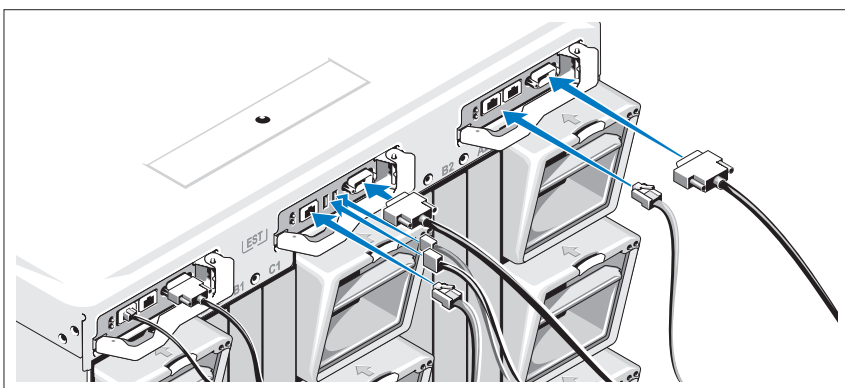
Εκκινώντας από επάνω, ολισθήστε τις μονάδες στο κάλυμμα από αριστερά προς τα δεξιά. Όταν η μονάδα ασφαλίσει, η λαβή επανέρχεται στην κλειστή θέση.



Σύνδεση των υπομονάδων CMC και KVM

Συνδέστε το σειριακό καλώδιο και το καλώδιο δικτύου από το σύστημα διαχείρισης στην υπομονάδα CMC. Εάν υπάρχει εγκατεστημένη και δεύτερη, προαιρετική υπομονάδα CMC, συνδέστε την και αυτή. Εάν το πλαίσιο του συστήματός σας αποστάλθηκε με προεγκατεστημένες μονάδες M805 ή M905, το υλικολογισμικό της υπομονάδας CMC θα είναι της έκδοσης 1.2 ή μεγαλύτερης έκδοσης.)

Συνδέστε το πληκτρολόγιο, το ποντίκι και την οθόνη στην προαιρετική υπομονάδα iKVM.



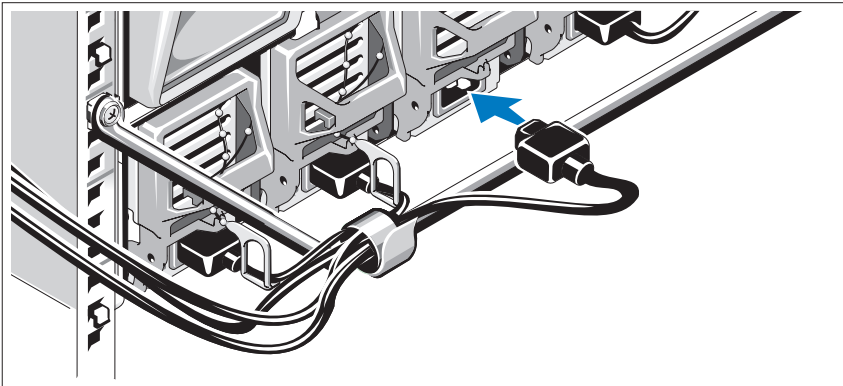
Σύνδεση του συστήματος στο ρεύμα

Συνδέστε το(τα) καλώδιο(-α) παροχής ηλεκτρικού ρεύματος στις παροχές ρεύματος του συστήματος.



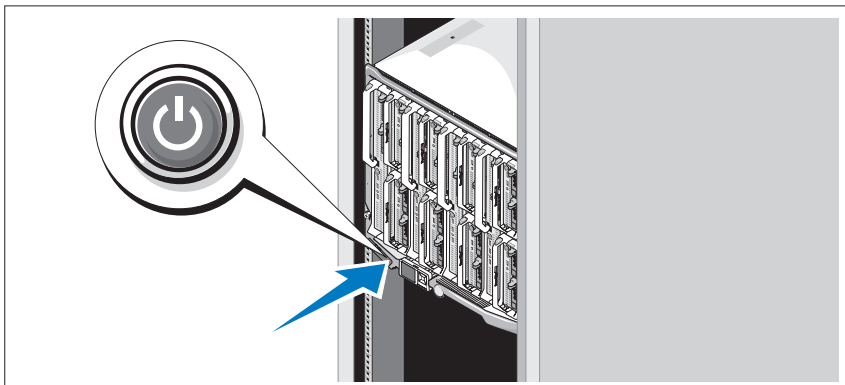
ΕΙΔΟΠΟΙΗΣΗ: Για να αποτρέψετε την τυχαία αποσύνδεση των καλωδίων του ρεύματος, χρησιμοποιείτε το πλαστικό κλιπ σε κάθε παροχή τροφοδοσίας για να ασφαλίσετε το καλώδιο ρεύματος στην παροχή τροφοδοσίας και χρησιμοποιήστε τον ιμάντα Velcro για να ασφαλίσετε το καλώδιο στην προστατευτική ράβδο εκτόνωσης.

Στη συνέχεια, τοποθετήστε την άλλη άκρη των καλωδίων ρεύματος σε ξεχωριστή παροχή τροφοδοσίας, όπως είναι ένα σύστημα αδιάλειπτης τροφοδοσίας (UPS) ή μια μονάδα διανομής ρεύματος (PDU).



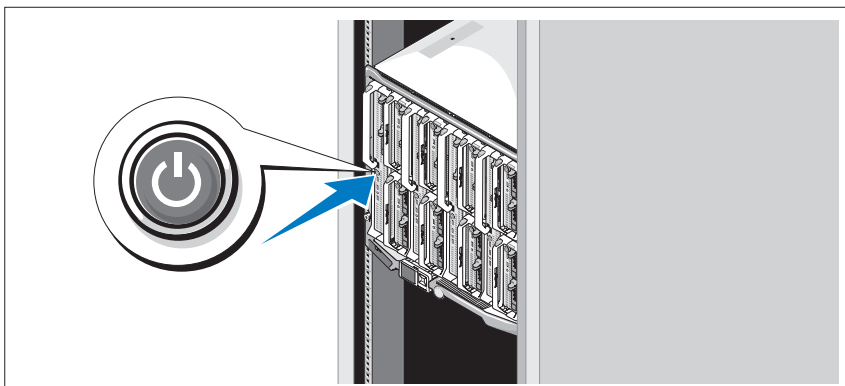
Ενεργοποίηση του συστήματος

Πιέστε το κουμπί τροφοδοσίας στο κάλυμμα. Πρέπει να ανάψει η ένδειξη λειτουργίας.



Ενεργοποίηση των μονάδων

Πιέστε το κουμπί τροφοδοσίας σε κάθε μονάδα ή ενεργοποιήστε τις μονάδες χρησιμοποιώντας το λογισμικό διαχείρισης συστημάτων.



Ολοκλήρωση της εγκατάστασης του λειτουργικού συστήματος

Εάν έχετε αγοράσει ένα προεγκατεστημένο λειτουργικό σύστημα, ανατρέξτε στην τεκμηρίωση του λειτουργικού συστήματος που συνοδεύει το σύστημά σας. Για να εγκαταστήσετε ένα λειτουργικό σύστημα για πρώτη φορά, ανατρέξτε στον Οδηγό γρήγορης εγκατάστασης. Βεβαιωθείτε ότι το λειτουργικό σύστημα είναι εγκατεστημένο, πριν να εγκαταστήσετε υλικό ή λογισμικό που δεν έχετε αγοράσει μαζί με το σύστημα.

Τεχνικές προδιαγραφές

Προδιαγραφές μονάδας

Επεξεργαστής

Τύπος επεξεργαστή

PowerEdge M905

Τέσσερις επεξεργαστές διπλού ή τετραπλού πυρήνα AMD Opteron της σειράς 8000

PowerEdge M805

Δύο επεξεργαστές διπλού ή τετραπλού πυρήνα AMD Opteron της σειράς 2000

PowerEdge M600

Ένας ή δύο επεξεργαστές Intel Xeon διπλού ή τετραπλού πυρήνα

PowerEdge M605

Ένας ή δύο επεξεργαστές AMD Opteron της σειράς 2000 διπλού ή τετραπλού πυρήνα

Μνήμη

Αρχιτεκτονική

PowerEdge M600

Μονάδες μνήμης FBD, βαθμονομημένες για λειτουργία στα 677 MHz

PowerEdge M905, M805, M605

Μονάδες μνήμης DDR2, βαθμονομημένες για λειτουργία στα 677 MHz

Μνήμη (συνέχεια)

Υποδοχές μονάδων μνήμης

PowerEdge M905 24 υποδοχές των 240 ακίδων

PowerEdge M805 16 υποδοχές των 240 ακίδων

PowerEdge M605, M600 Οκτώ υποδοχές των 240 ακίδων

Χωρητικότητες μονάδων μνήμης 512 MB (PowerEdge M605 και M600), 1 GB, 2 GB, 4 GB ή 8 GB

Ελάχιστη μνήμη RAM Δύο μονάδες μνήμης ανά επεξεργαστή

PowerEdge M905 8 GB (Οκτώ μονάδες μνήμης 1 GB)

PowerEdge M805 4 GB (Τέσσερις μονάδες μνήμης 1 GB)

PowerEdge M600, M605 1 GB (Δύο μονάδες μνήμης 512 MB)

Μέγιστη μνήμη RAM

PowerEdge M905 192 GB

PowerEdge M805 128 GB

PowerEdge M600, M605 64 GB

Μονάδες

Μονάδες σκληρού δίσκου

PowerEdge M805, M905 Μία ή δύο μονάδες σκληρού δίσκου SAS 2,5 ιντσών

PowerEdge M600, M605

Διαμόρφωση SATA Μία ή δύο μονάδες σκληρού δίσκου SATA 2,5 ιντσών

Διαμόρφωση SAS Μία ή δύο μονάδες σκληρού δίσκου SAS 2,5 ιντσών

ΣΗΜΕΙΩΣΗ: Μέσα στην ίδια μονάδα M600 ή M605 δεν είναι δυνατό να αναμιχθούν σκληροί δίσκοι SAS και SATA.

Συζευκτικές

Εξωτερικοί

USB

PowerEdge M805, M905	Τρεις 4 ακίδων, συμβατοί με USB 2.0
PowerEdge M600, M605	Δύο 4 ακίδων, συμβατοί με USB 2.0

Στο εσωτερικό

Κάρτα SD (PowerEdge M805, M905)	Ένας συνδεδεμένος κάρτας SD
---------------------------------	-----------------------------

Ελεγκτές Ethernet

Chipset

PowerEdge M805, M905	Τέσσερις θύρες Ethernet με υποστήριξη TOE και εκκίνησης iSCSI, που παρέχονται από δύο ενσωματωμένους ελεγκτές Broadcom 5709S Ethernet με δύο θύρες
PowerEdge M600, M605	Δύο θύρες Ethernet με υποστήριξη TOE και εκκίνησης iSCSI, που παρέχονται από δύο ενσωματωμένους ελεγκτές Broadcom 5708S

Ελεγκτής οθόνης

Τύπος οθόνης	Ελεγκτής οθόνης ATI RN50
Μνήμη οθόνης	32 MB

Φυσικά χαρακτηριστικά

PowerEdge M905, M805

Ύψος	38,5 εκ. (15,2 ίντσες)
Μήκος	5 εκ. (2 ίντσες)
Πλάτος	48,6 εκ. (19,2 ίντσες)
Βάρος (μέγιστη διαμόρφωση)	11,1 kg (24,5 λίβρες)

Φυσικά χαρακτηριστικά (συνέχεια)

PowerEdge M605, M600

Ύψος	18,9 εκ. (7,4 ίντσες)
Μήκος	5 εκ. (2 ίντσες)
Πλάτος	48,6 εκ. (19,2 ίντσες)
Βάρος (μέγιστη διαμόρφωση)	5,2-6,4 kg (11,5-14,0 λίβρες)

Μπαταρία

Μπαταρία μονάδας	CR 2032 3.0-V ιόντος λιθίου με κερματοειδή στοιχεία
------------------	---

Προδιαγραφές καλύμματος συστήματος

Φυσικά χαρακτηριστικά

Ύψος	44,0 εκ. (17,3 ίντσες)
Μήκος	44,7 εκ. (17,6 ίντσες)
Πλάτος	75,5 εκ. (29,7 ίντσες)
Βάρος (μέγιστη διαμόρφωση)	178,3 kg (392,2 λίβρες)
Βάρος (κενό)	44,6 kg (98,1 λίβρες)

Μονάδα τροφοδοσίας

Τροφοδοσία AC/DC (ανά παροχή τροφοδοσίας)

Ηλεκτρική ισχύς σε Watt	2.360 W
Συνδετήρας	Υποδοχή NEMA C20
Έκλυση θερμότητας	1.205 BTU/ώρα. Μέγιστο
Μέγιστο ρεύμα εισροής	Κάτω από τυπικές συνθήκες γραμμής και πάνω από την περιοχή λειτουργίας περιβάλλοντος ολόκληρου του συστήματος, το ρεύμα εισροής μπορεί να αγγίξει τα 55 A ανά παροχή τροφοδοσίας για 10 ms ή λιγότερο.
Απαιτήσεις τάσης συστήματος	200 - 240 V, 16 A, τριφασικό, 50 /60 Hz 200 - 240 V, 40,5 A, μονοφασικό, 50 /60 Hz

Προαιρετική υπομονάδα Avocent iKVM

Συζευκτικές εξωτερικής πρόσβασης στο πίσω μέρος

USB	Δύο 4 ακίδων, συμβατοί με USB 2.0, για υποστήριξη ηλεκτρολογίου και ποντικιού
Θύρα ACI	RJ-45
Οθόνη	VGA 15 ακίδων

Υπομονάδα ελεγκτή διαχείρισης πλαισίου

Συζευκτικές εξωτερικής πρόσβασης

Απομακρυσμένη διαχείριση	Δύο αποκλειστικές θύρες 10/100/1000 Mb RJ-45 για ενσωματωμένο ελεγκτή Ethernet απομακρυσμένης πρόσβασης.
Σειριακή	9 ακίδων, DTE, συμβατή με 16550
Οθόνη	VGA 15 ακίδων
Μπαταρία	CR 2032 3.0-V ιόντος λιθίου με κεραμοειδή στοιχεία
Κάρτα SD	Μία αποκλειστική εσωτερική υποδοχή μνήμης κάρτας flash SD (Secure Digital) για υποστήριξη FlexAddress.

Πίνακας χειρισμού καλύμματος

Συζευκτικές εξωτερικής πρόσβασης

USB	
PowerEdge M905, M805	Τρεις 4 ακίδων, συμβατοί με USB 2.0, για υποστήριξη ηλεκτρολογίου και ποντικιού
PowerEdge M605, M600	Δύο 4 ακίδων, συμβατοί με USB 2.0, για υποστήριξη ηλεκτρολογίου και ποντικιού
Οθόνη	VGA 15 ακίδων

Πίνακας πλοήγησης

Δυνατότητες	Τέσσερα πλήκτρα ελέγχου δρομέα, ένα πλήκτρο επιλογής, οθόνη LCD
-------------	---

Προδιαγραφές υπομονάδας I/O

Μονάδα μεταγωγέα Ethernet PowerConnect M6220

Συζευκτήρες εξωτερικής πρόσβασης

Ethernet 10/100/1000 Mbps	Τέσσερις θύρες RJ-45 αυτόματης διαπραγμάτευσης
Σειριακή	Ένας σύνδεσμος 4 ακίδων, συμβατός με USB 2.0, τύπου A. (Χρησιμοποιείτε την παρεχόμενη USB τύπου A στον προσαρμογέα DB9 για τη σύνδεση με το τερματικό)
Προαιρετικές υπομονάδες	Δύο προαιρετικά φατνία. Κάθε φατνίο υποστηρίζει μία υπομονάδα με δύο θύρες συνδεσμολογίας στοιβας 24 Gb, δύο ανερχόμενες χάλκινες ζεύξεις 10 Gb CX4 ή δύο οπτικά XFP 10 Gb.

Υπομονάδα μεταγωγέα Cisco M700E Infiniband

Συζευκτήρες εξωτερικής πρόσβασης	Οκτώ θέρες ανερχόμενης ζεύξης DDR Infiniband
----------------------------------	--

Μονάδα Ethernet Gb με λειτουργία Pass-Through

Συζευκτήρες εξωτερικής πρόσβασης	Δεκαέξι θύρες Ethernet RJ-45
----------------------------------	------------------------------

Μονάδα καναλιού ινών με λειτουργία Pass-Through

Συζευκτήρες εξωτερικής πρόσβασης

Πομποδέκτης καναλιού ινών	Δεκαέξι εξωτερικές θύρες SFP που υποστηρίζουν ταχύτητες FC 1/2/4 Gbps
---------------------------	---

Μονάδα μεταγωγέα καναλιού ινών Brocade

Συζευκτικές εξωτερικής πρόσβασης

Κανάλι ινών	Οκτώ φυσικές θύρες FC (τέσσερις ενεργοποιημένες από προεπιλογή, με δυνατότητα αναβάθμισης σε οκτώ) με υποστήριξη συνδέσεων με κανάλι ινών 1/2/4 Gbps
Σειριακή θύρα	RJ-45

Χαρακτηριστικά περιβάλλοντος

ΣΗΜΕΙΩΣΗ: Για επιπλέον πληροφορίες σχετικά με τις περιβαλλοντικές μετρήσεις για συγκεκριμένες διαμορφώσεις συστήματος, επισκεφτείτε τη διεύθυνση dell.com/environmental_datasheets. Το σύστημα δεν προορίζεται για χρήση σε περιβάλλον γραφείου.

Θερμοκρασία

Λειτουργίας	10° έως 35°C (50° έως 95°F) ΣΗΜΕΙΩΣΗ: Μειώστε τη μέγιστη θερμοκρασία κατά 1°C (1,8°F) για κάθε 300 μέτρα (985 πόδια) πάνω από τα 900 μέτρα (2.955 πόδια).
Αποθήκευσης	-40° έως 65°C (-40° έως 149°F)

Σχετική υγρασία

Λειτουργίας	8% έως 85% (χωρίς συμπύκνωση) με μέγιστη βαθμίδα υγρασίας 10% ανά ώρα
Αποθήκευσης	5% έως 95% (χωρίς συμπύκνωση)

Μέγιστη ταλάντευση

Λειτουργίας	0,26 Grms σε 10–350 Hz επί 15 λεπτά
Αποθήκευσης	1,54 Grms σε 10–250 Hz επί 15 λεπτά

Χαρακτηριστικά περιβάλλοντος (συνέχεια)

Μέγιστη δόνηση

Λειτουργίας	Ένας παλμός δόνησης των 31 G στο θετικό τμήμα του άξονα z για έως 2,6 ms
Αποθήκευσης	
PowerEdge M905, M805	Έξι διαδοχικά εκτελεσμένοι παλμοί δόνησης των 71 G στο θετικό και αρνητικό τμήμα των αξόνων x, y και z για έως και 2 ms
PowerEdge M605, M600	Έξι διαδοχικά εκτελεσμένοι παλμοί δόνησης των 71 G στο θετικό και αρνητικό τμήμα των αξόνων x, y και z για έως και 2 ms

Υψόμετρο

Λειτουργίας	−16 έως 3.048 μέτρα (−50 έως 10.000 πόδια)
Αποθήκευσης	−16 έως 10.600 μέτρα (−50 έως 35.000 πόδια)

Dell™ PowerEdge™
M905, M805, M605 i M600

Rozpoczęcie pracy z systemem



Uwagi, ostrzeżenia i przestrogi



UWAGA: UWAGA oznacza ważną wiadomość, która pomoże lepiej wykorzystać komputer.



OSTRZEŻENIE: OSTRZEŻENIE wskazuje na możliwość uszkodzenia sprzętu lub utraty danych i informuje o sposobie uniknięcia problemu.



PRZESTROGA: PRZESTROGA wskazuje na możliwość zaistnienia sytuacji niebezpiecznej, której skutkiem mogą być uszkodzenia sprzętu, obrażenia ciała lub śmierć.

Informacje zawarte w tym dokumencie mogą ulec zmianie bez powiadomienia.

© 2008 Dell Inc. Wszystkie prawa zastrzeżone.

Zabrania się powielania w jakiegokolwiek postaci bez pisemnej zgody firmy Dell Inc.

Znaki towarowe użyte w tym tekście: *Dell*, logo *DELL* i *Dell OpenManage* są znakami towarowymi firmy Dell Inc.; *Microsoft*, *Window* i *Windows Server* są znakami towarowymi lub zarejestrowanymi znakami towarowymi firmy Microsoft Corporation w Stanach Zjednoczonych i/lub innych krajach; *AMD* i *AMD Opteron* są znakami towarowymi firmy Advanced Micro Devices, Inc.; *Intel* i *Xeon* są zarejestrowanymi znakami towarowymi firmy Intel Corporation; *SUSE* jest zarejestrowanym znakiem towarowym firmy Novell, Inc.; *Red Hat* i *Enterprise Linux* są zarejestrowanymi znakami towarowymi firmy Red Hat, Inc.; *VMware* jest zarejestrowanym znakiem towarowym firmy VMware, Inc. w Stanach Zjednoczonych i/lub innych obszarach prawnych.

W niniejszym dokumencie mogą zostać także użyte inne znaki towarowe i nazwy handlowe w odniesieniu do podmiotów posiadających prawa do znaków i nazw lub ich produktów. Firma Dell Inc. nie rości sobie praw własności do znaków towarowych i nazw handlowych innych niż własne.

Model **BMX01**

Maj 2008

Nr ref. **R431C**

Wersja **A00**

Funkcje systemu

Ta sekcja opisuje najważniejsze cechy sprzętu i oprogramowania wchodzącego w skład systemu. Dostarcza ona również informacji o innych dokumentach niezbędnych podczas konfiguracji systemu oraz informuje o sposobie uzyskania pomocy technicznej.

Cechy obudowy systemu

Obudowa systemu M1000e ma następujące cechy:

Skalowalność

- Obsługa do 16 serwerów typu blade o połowicznej wysokości lub 8 o pełnej wysokości (moduły serwera).
- Obsługa trzech warstw struktury wejście/wyjście z możliwością wyboru pomiędzy kombinacjami modułów sieci Ethernet, Infiniband i światłowodowych.

W obudowie istnieje możliwość instalacji aż do sześciu modułów wejścia/wyjścia, takich jak przełączniki światłowodowe, światłowodowe moduły przelotowe, przełączniki Infiniband, przełączniki sieci Ethernet oraz moduły przelotowe sieci Ethernet.

Niezawodność

- Dziewięć rezerwowych wentylatorów do chłodzenia systemu podłączanych podczas pracy urządzenia.
- Trzy zasilacze o mocy 2360 W podłączane podczas pracy urządzenia oraz trzy zaślepki dla zasilaczy lub sześć zasilaczy o mocy 2360 W podłączanych podczas pracy urządzenia. (Trzy zasilacze zapewniają zasilanie systemu; dodanie trzech dodatkowych zasilaczy zapewnia konfigurację nadmiarową 3+3.)



OSTRZEŻENIE: Zasilacze można podłączyć tylko do jednostki rozdziału zasilania (PDU). Nie należy ich podłączać bezpośrednio do gniazdka elektrycznego.




OSTRZEŻENIE: Obudowa systemu wymaga źródła zasilania o napięciu 200-240 V.

Funkcje zarządzania systemami

- Kontroler zarządzania obudową (CMC - Chassis Management Controller) obsługuje kilka istotnych funkcji zarządzania systemami:
 - Zarządzanie energią i ciepłem na poziomie obudowy:
 - CMC monitoruje zapotrzebowanie na zasilanie systemu i obsługuje opcjonalny tryb Dynamic Power Supply Engagement (dynamiczne włączanie zasilania), dzięki czemu CMC może w sposób dynamiczny włączać zasilacze lub przełączać je w tryb gotowości - w celu zwiększenia efektywności zasilania w zależności od wymogów związanych z obciążeniem i redundancją.
 - CMC informuje o poborze mocy w czasie rzeczywistym.
 - CMC obsługuje funkcję opcjonalnego pułapu mocy, która wywołuje alert lub czynności mające na celu utrzymanie poboru mocy przez obudowę poniżej wstępnie zdefiniowanego pułapu.
 - CMC monitoruje i kontroluje wentylatory chłodzące na podstawie pomiarów temperatury otoczenia oraz temperatury wewnątrz urządzenia.
 - CMC zapewnia informacje o stanie obudowy oraz raporty o statusie/błędach.
 - CMC umożliwia centralną konfigurację następujących ustawień:
 - Ustawienia sieci CMC oraz bezpieczeństwa
 - Ustawienia zasilania rezerwowego oraz pułapu mocy
 - Ustawienia sieciowe przełączników wejście/wyjście oraz iDRAC
 - Pierwsze urządzenia startowe serwerów typu blade
 - CMC kontroluje spójność struktury wejścia/wyjścia pomiędzy modułami wejścia/wyjścia i serwerami typu blade oraz, jeśli zaistnieje niebezpieczeństwo zniszczenia sprzętu, wyłącza komponenty systemu.
 - Zabezpieczenie dostępu użytkownika.
 - Gniazdo karty SD w przypadku karty CMC obsługuje opcjonalną funkcję WWN/MAC, która umożliwia wykorzystanie sieci WWN/MACs do serwerów typu blade, upraszczając instalację i demontaż serwera typu blade.

CMC posiada dwa porty sieci Ethernet. "Gb1" jest wykorzystywany do podłączenia do zewnętrznej sieci zarządzania. "Stos" umożliwia łańcuchowe połączenie CMC znajdujących się w sąsiednich obudowach. 24-portowy przełącznik sieci Ethernet zapewnia wewnętrzną komunikację (100 Mb) z serwerami typu blade, modułami wejścia/wyjścia, opcjonalnym modułem iKVM oraz opcjonalnym drugim, rezerwowym CMC, a także obsługuje połączenie 10/100/1000 Mb z zewnętrzną siecią zarządzania.


 **UWAGA:** 24-portowy przełącznik sieci Ethernet służy do wewnętrznej komunikacji pomiędzy iDRAC z serwerów typu blade a CMC, a następnie z zewnętrzną siecią zarządzania.

Drugi, opcjonalny CMC można zainstalować do przełączania awaryjnego w trakcie pracy systemu.

- Panel sterowania obudową posiada wyświetlacz LCD, który dostarcza informacji o bieżącej infrastrukturze i serwerze typu blade, a także wyświetla raporty o błędach.
- Opcjonalny zintegrowany moduł firmy Avocent do klawiatury, monitora i myszy (iKVM) charakteryzują następujące cechy:
 - Moduł iKVM obsługuje komunikację z serwerami typu blade - urządzenia wejściowe są przełączane dla każdego serwera typu blade.
 - Dostęp do iKVM może być zdalnie wyłączony dla każdego z serwerów typu blade za pośrednictwem interfejsu iDRAC.
 - Jedno złącze VGA.
 - Dwa porty USB do podłączenia klawiatury i myszy.

 **UWAGA:** Funkcjonalność USB zależy od podłączenia interfejsu video, tj. kabla monitora.

- Port RJ-45 ACI do warstwowego połączenia z zewnętrznym analogowym modułem KVM firmy Dell i Avocent oraz KVM poprzez przełączniki IP z portami ARI. Połączenie ACI ma pierwszeństwo przed portami KVM panelu tylnego.
- Dostęp do iKVM można również uzyskać z panelu sterowania znajdującego się w przedniej części obudowy. Funkcjonalność KVM jest obsługiwana albo na panelu przednim albo na tylnym (nie jednocześnie na obu).

 **UWAGA:** Moduł iKVM na panelu przednim jest włączony domyślnie, gdy istnieje połączenie pomiędzy portami iKVM panelu przedniego i tylnego. Dostęp modułu iKVM na przednim panelu można dezaktywować poprzez interfejs użytkownika CMC.

Cechy serwera typu blade

Dane dot. wydajności

PowerEdge M905

- Cztery dwurdzeniowe lub czterordzeniowe procesory AMD™ Opteron™ 8000 Series.
- Całkowicie buforowane moduły pamięci o minimalnej pojemności 8 GB i częstotliwości 677 MHz DDR2 z możliwością rozszerzenia do maksymalnie 192 GB poprzez zainstalowanie par modułów o pojemności 1 GB, 2 GB, 4 GB lub 8 GB w 24 gniazdach przeznaczonych na moduły pamięci dostępnych na płycie systemowej serwera typu blade. Serwer typu blade również obsługuje funkcje pozwalające na oszczędzanie pamięci, jeżeli w ośmiu lub szesnastu gniazdach zostaną zainstalowane identyczne moduły pamięci.
- Gniazdo karty SD (Secure Digital) do obsługi wbudowanego Hypervisor.

PowerEdge M805

- Dwa dwurdzeniowe lub czterordzeniowe procesory AMD Opteron 2000 Series.
- Całkowicie buforowane moduły pamięci o minimalnej pojemności 4 GB i częstotliwości 677 MHz DDR2 z możliwością rozszerzenia do maksymalnie 128 GB poprzez zainstalowanie par modułów o pojemności 1 GB, 2 GB, 4 GB lub 8 GB w 16 gniazdach przeznaczonych na moduły pamięci dostępnych na płycie systemowej serwera typu blade. Serwer typu blade również obsługuje funkcje pozwalające na oszczędzanie pamięci, jeżeli w ośmiu lub szesnastu gniazdach zostaną zainstalowane identyczne moduły pamięci.
- Gniazdo karty SD do obsługi wbudowanego Hypervisor.

PowerEdge M600

- Jeden lub dwa dwurdzeniowe lub czterordzeniowe procesory Intel® Xeon®.
- Całkowicie buforowane moduły pamięci o minimalnej pojemności 1 GB i częstotliwości 677 MHz FBD z możliwością rozszerzenia do maksymalnie 64 GB poprzez zainstalowanie par modułów o pojemności 512 MB, 1 GB, 2 GB, 4 GB lub 8 GB w ośmiu gniazdach przeznaczonych na moduły pamięci dostępnych na płycie systemowej serwera typu blade. Serwery typu blade obsługują również funkcje pozwalające na oszczędzanie pamięci lub tworzenie kopii zwierciadlanej pamięci, jeżeli we wszystkich gniazdach zostaną zainstalowane identyczne moduły pamięci.

PowerEdge M605

- Jeden lub dwa dwurdzeniowe lub czterordzeniowe procesory AMD Opteron 2000 Series.
- Całkowicie buforowane moduły pamięci o minimalnej pojemności 1 GB i częstotliwości 677 MHz 800-MHz z możliwością rozszerzenia do maksymalnie 64 GB poprzez zainstalowanie par modułów o pojemności 512 MB, 1 GB, 2 GB, 4 GB lub 8 GB w ośmiu gniazdach przeznaczonych na moduły pamięci dostępnych na płycie systemowej serwera typu blade. Serwer typu blade również obsługuje funkcje pozwalające na oszczędzanie pamięci.

Funkcje ogólne

- Serwery typu blade PowerEdge M805 i M905 obsługują jeden lub dwa 2,5 calowe dyski twarde SAS.
- Serwery typu blade PowerEdge M600 i M605 obsługują jeden lub dwa 2,5 calowe dyski twarde SATA *lub* jeden lub dwa 2,5 calowe dyski twarde SAS.



UWAGA: W obrębie jednego serwera typu blade nie można instalować razem dysków twardych SAS i SATA.

Działanie napędu podczas pracy systemu jest możliwe, gdy na serwerze typu blade zainstalowany jest opcjonalny kontroler RAID.

- Trzy porty kompatybilne z USB 2.0 (PowerEdge M805 i M905) lub dwa porty kompatybilne z USB 2.0 (PowerEdge M605 i M600) obsługują takie urządzenia jak mysz, klawiaturę, napęd flash, stację dyskieta lub napęd optyczny.



UWAGA: Obsługiwane są tylko urządzenia USB firmy Dell.

- Zintegrowany podsystem kompatybilny z grafiką VGA z kontrolerem grafiki ATI RN50. Podsystem wideo posiada 32 MB pamięci wideo SDRAM (nie może zostać rozbudowany). Maksymalna rozdzielczość wynosi 1280 x 1024 x 65,000 kolorów (bez przepłotu).
- Zintegrowany kontroler zdalnego dostępu Dell (iDRAC - Integrated Dell Remote Access Controller), który zapewnia zdalne zarządzanie systemem, zarządzania energią na poziomie serwera typu blade, obsługę wirtualnego modułu KVM oraz mediów wirtualnych, zdalnego alarmowania i rejestrowania zdarzeń.
- Cztery porty Ethernet 1 GB obsługiwane przez dwa zintegrowane kontrolery Broadcom 5709S z dwoma portami (PowerEdge M805 i M905) lub dwa porty Ethernet 1 GB obsługiwane przez dwa zintegrowane kontrolery Broadcom 5708S (PowerEdge M600 i M605). Obsługiwane są funkcjonalności TCP/IP Offload Engine (TOE) i iSCSI.

Pełna lista funkcji systemowych znajduje się w rozdziale „Parametry techniczne” na stronie 128.

System zawiera następujące oprogramowanie:

- Program do konfiguracji systemu umożliwiający szybkie obejrzenie i zmianę informacji o konfiguracji systemu. Więcej informacji o tym programie znaleźć można w rozdziale „Korzystanie z programu konfiguracji systemu” w *Podręczniku użytkownika sprzętu*.
- Udoskonalone funkcje zabezpieczeń, obejmujące hasło systemu i hasło konfiguracji, dostępne poprzez program konfiguracji systemu.
- Diagnostyka systemu umożliwiająca ocenę elementów systemu oraz urządzeń. Więcej informacji na temat diagnostyki systemu znaleźć można w rozdziale „Uruchamianie diagnostyki systemu” w *Podręczniku użytkownika sprzętu*.
- Sterowniki grafiki umożliwiające wyświetlanie wielu popularnych aplikacji w trybach wysokiej rozdzielczości.

- Oprogramowanie do zarządzania systemem oraz dokumentacja. Oprogramowanie do zarządzania systemem używane jest do zarządzania i monitorowania poszczególnych serwerów typu blade oraz systemu jako całości, wraz z serwerami typu blade, modułami przełączników sieciowych, zasilaczami i wentylatorami. Oprogramowanie do zarządzania systemem umożliwia lokalne i zdalne zarządzanie systemem w sieci. Firma Dell zaleca stosowanie programu do zarządzania systemami dostarczonego wraz z systemem.
- Opcjonalne oprogramowanie do rozwiązań w zakresie tworzenia i użytkowania serwerów www, buforowania oraz równoważenia obciążenia. W celu uzyskania dalszych informacji należy zapoznać się z dokumentacją dostarczoną z oprogramowaniem.

Obsługiwane systemy operacyjne

- Microsoft® Windows Server™ 2003, edycje Web, Standard i Enterprise (32-bit x86) z SP2
- Microsoft Windows Server 2003, edycje Standard, Enterprise i DataCenter (x64) SP1, SP2
- Microsoft Windows Server 2003 R2, edycje Standard i Enterprise (32-bit x86) z SP1, SP2
- Microsoft Windows Server 2003, edycje Standard, Enterprise i DataCenter (x64) z SP1, SP2
- Microsoft Windows Server 2008, edycja Standard z SP1, SP2, DataCenter i EM64T
- Red Hat® Enterprise Linux® AS, ES i WS (wersja 4) i EM64T
- Red Hat Enterprise Linux AS i ES (wersja 4) (ia32)
- Red Hat Enterprise Linux Server AS i ES (wersja 5) (ia32)
- Red Hat Enterprise Linux Server AS, ES i WS (wersja 5) i EM64T
- SUSE® Linux Enterprise Server 9 (x86_64) z SP3 i EM64T
- SUSE Linux Enterprise Server 10 (x86_64) i EM64T
- VMWare® ESX 3.1
- VMWare ESX 3.5

Inne przydatne informacje



PRZESTROGA: Patrz uwagi dotyczące bezpieczeństwa i przepisów prawnych w dokumencie dostarczonym wraz z systemem. Informacje dotyczące gwarancji mogą być zamieszczone w tym dokumencie lub dostarczone jako oddzielny dokument.

- *Przewodnik po konfiguracji* dostarcza informacji dotyczących konfiguracji obudowy systemu i serwerów typu blade.
- *Podręcznik montowania stelażu* lub *Instrukcje dotyczące montowania stelażu* dołączone do stelażu opisują sposób montowania komputera na stelażu.
- *Podręcznik użytkownika sprzętu* zawiera informacje o funkcjach systemu i opis sposobów rozwiązywania problemów zaistniałych podczas użytkowania systemu, a także instrukcje dotyczące instalacji lub wymiany elementów systemu. Ten dokument można znaleźć na płycie CD dostarczonej wraz z systemem lub na stronie internetowej **support.dell.com**.
- *Podręcznik użytkownika kontrolera zarządzania obudową firmy Dell* dostarcza szczegółowych informacji dotyczących funkcji zdalnego zarządzania systemem.
- Płyta CD lub DVD dołączona do systemu zawiera dokumentację i narzędzia do konfiguracji systemu oraz zarządzania nim.
- Dokumentacja dołączona do oprogramowania do zarządzania systemem opisuje funkcje, wymagania instalacyjne i podstawowe działanie oprogramowania.
- Dokumentacja systemu operacyjnego opisuje, w jaki sposób zainstalować (w razie konieczności), skonfigurować oraz użytkować oprogramowanie systemu operacyjnego.
- Dokumentacja dołączona do innych, osobno zakupionych elementów, zapewnia informacje na temat konfigurowania i instalowania tych opcji.
- Czasem wraz z systemem dostarczane są aktualizacje, opisujące zmiany w oprogramowaniu systemowym i/lub dokumentacji.



UWAGA: Należy zawsze sprawdzać, czy pojawiły się nowe aktualizacje na stronie **support.dell.com** i czytać informacje o aktualizacjach, ponieważ często pojawiają się one tam wcześniej niż w innych dokumentach.


- Dane o wersji lub pliki readme mogą być dołączone do systemu w celu dostarczenia informacji o uaktualnieniach wprowadzonych w ostatniej chwili do systemu, dokumentacji lub zaawansowanych technicznie materiałów referencyjnych, przeznaczonych dla doświadczonych użytkowników lub personelu technicznego.

Uzyskiwanie pomocy technicznej

Jeżeli nie rozumiesz procedur opisanych w tym podręczniku lub jeśli system nie działa zgodnie z oczekiwaniami, zapoznaj się z *Podręcznikiem użytkownika sprzętu*.

Dostępne są również szkolenia i certyfikaty firmy Dell Enterprise – odwiedź stronę internetową www.dell.com/training w celu uzyskania dalszych informacji. Ta usługa może nie być dostępna we wszystkich lokalizacjach.

Instalacja i konfiguracja

 **PRZESTROGA:** Przed wykonaniem poniższej procedury należy przeczytać i zastosować się do instrukcji bezpieczeństwa oraz ważnych informacji prawnych zamieszczonych w dokumencie dostarczonym wraz z systemem. Więcej informacji o najlepszych praktykach znajduje się na stronie www.dell.com/regulatory_compliance.

W tej sekcji opisane są czynności wymagane podczas konfigurowania systemu po raz pierwszy.

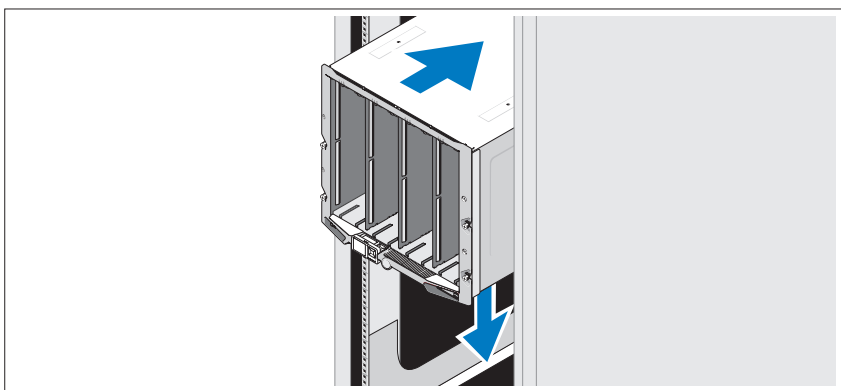
Rozpakowanie zestawu komputerowego

Rozpakuj komputer i zidentyfikuj jego poszczególne elementy. Zachowaj wszystkie opakowania na wypadek, gdyby były później potrzebne.

Instalacja systemu na stelażu

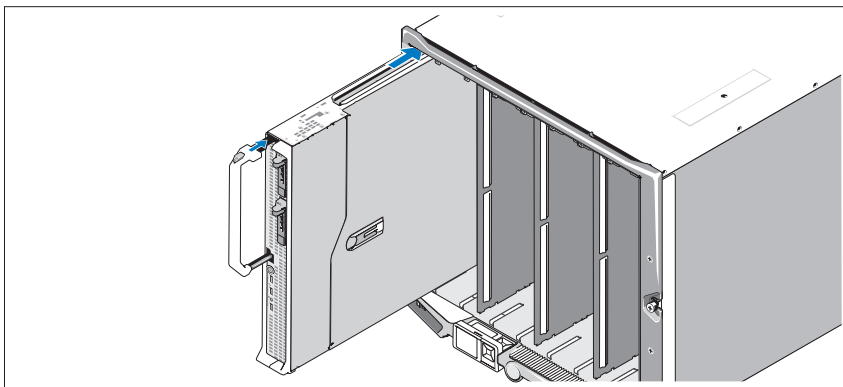
Po zapoznaniu się z „Instrukcjami dotyczącymi bezpieczeństwa” przedstawionymi w dokumentacji montowania stelażu przeznaczanego dla tego zestawu komputerowego należy zamontować komputer na stelażu.

W celu uzyskania instrukcji dotyczących montowania zestawu komputerowego na stelażu należy przejrzeć dokumentację montowania stelażu. Wskazówki dot. zasilania i chłodzenia znajdują się w narzędziu do planowania pojemności stelaża dostępnym na stronie internetowej www.dell.com.



Instalowanie serwerów typu blade

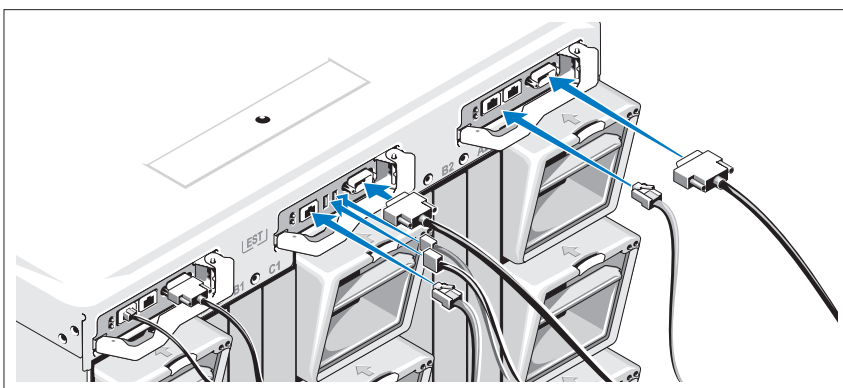
Należy wsuwać moduły w obudowę począwszy od górnego rzędu - od strony lewej do prawej. Gdy serwer typu blade zostanie poprawnie umieszczony, dźwignia powróci do pozycji zamkniętej.



Podłączanie modułów CMC i KVM

Podłącz kabel szeregowy i kabel sieciowy do systemu zarządzającego i modułu CMC. Jeśli ma zostać podłączony drugi opcjonalny moduł CMC, należy go również podłączyć. (Jeśli obudowa została dostarczona wraz z serwerami typu blade M805 lub M905 w formie preinstalowanej, zawarte oprogramowanie sprzętowe będzie miało wersję CMC 1,2 lub wyższą.)

Podłącz klawiaturę, mysz i monitor do opcjonalnego modułu iKVM.

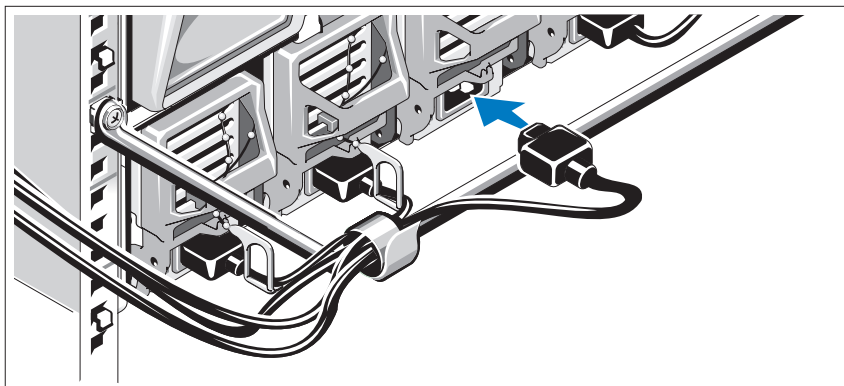


Podłączenie systemu do zasilania

Podłącz kable zasilania komputera do zasilacza komputera.

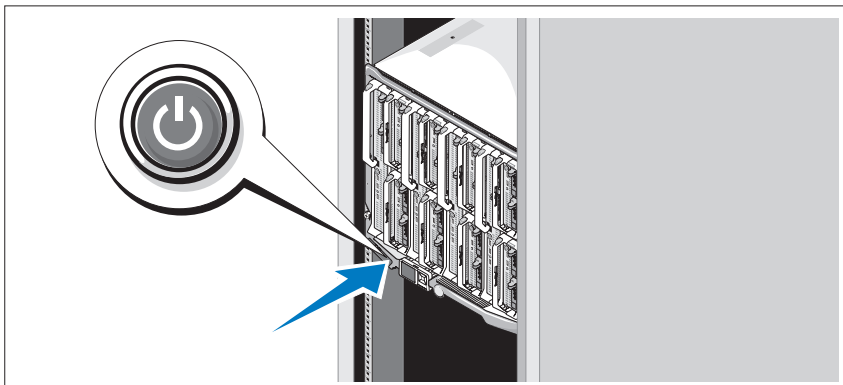
- ➔ **OSTRZEŻENIE:** Aby zapobiec przypadkowemu odłączeniu kabli zasilania, użyj plastikowego zacisku znajdującego się na każdym zasilaczu w celu zabezpieczenia kabla do zasilacza oraz użyj taśmy firmy Velcro w celu zabezpieczenia kabli do paska zabezpieczającego.

Następnie podłącz drugą końcówkę tych kabli do uziemionego gniazdka zasilania lub oddzielnego źródła zasilania, np. do zasilania bezprzerwowego (UPS) lub do jednostki rozdziału zasilania (PDU).



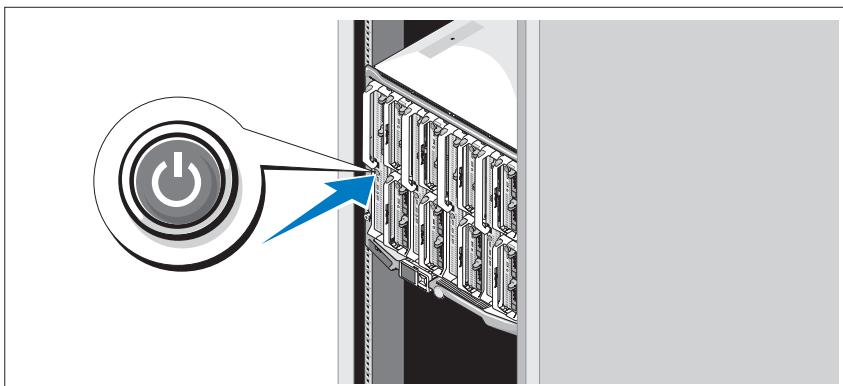
Włączanie komputera

Nacisnij przycisk zasilania znajdujący się na obudowie. Powinien zaświecić się wskaźnik zasilania.



Włączanie serwerów typu blade

Naciśnij przycisk zasilania na każdym serwerze typu blade lub uruchom serwery przy użyciu oprogramowania do zarządzania systemami.



Skonfiguruj system operacyjny

W przypadku zakupienia systemu operacyjnego zainstalowanego fabrycznie należy zapoznać się z dokumentacją systemu operacyjnego dostarczoną wraz z komputerem. Aby zainstalować system operacyjny po raz pierwszy, zapoznaj się z Przewodnikiem szybkiej instalacji. Upewnij się, że system operacyjny został zainstalowany przed instalacją sprzętu i oprogramowania niezakupionego wraz z komputerem.

Parametry techniczne

Specyfikacja serwera typu blade

Procesor

Typ procesora

PowerEdge M905	Cztery dwurdzeniowe lub czterordzeniowe procesory AMD Opteron 8000 Series
PowerEdge M805	Dwa lub cztery dwurdzeniowe lub czterordzeniowe procesory AMD Opteron 2000 Series
PowerEdge M600	Jeden lub dwa dwurdzeniowe lub czterordzeniowe procesory Intel® Xeon®
PowerEdge M605	Jeden lub dwa dwurdzeniowe lub czterordzeniowe procesory AMD Opteron 2000 Series

Pamięć

Architektura

PowerEdge M600	Całkowicie buforowane moduły pamięci, dostosowane do częstotliwości 677-MH
PowerEdge M905, M805, M605	Moduły pamięci DDR2, dostosowane do częstotliwości 677 MHz

Pamięć (ciąg dalszy)

Gniazda modułów pamięci

PowerEdge M905	24 gniazda 240-stykowe
PowerEdge M805	16 gniazd 240-stykowych
PowerEdge M605, M600	Osiem gniazd 240-stykowych

Pojemność modułów pamięci

512 MB (PowerEdge M605 i M600),
1 GB, 2 GB, 4 GB lub 8 GB

Min. pojemność pamięci RAM

Dwa moduły pamięci na procesor

PowerEdge M905	8 GB (osiem modułów pamięci o pojemności 1 GB)
PowerEdge M805	4 GB (cztery moduły pamięci o pojemności 1 GB)
PowerEdge M600, M605	1 GB (dwa moduły pamięci o pojemności 512 MB)

Maks. pojemność pamięci RAM

PowerEdge M905	192 GB
PowerEdge M805	128 GB
PowerEdge M600, M605	64 GB

Napędy

Dyski twarde

PowerEdge M805, M905

Jeden lub dwa 2,5 calowe dyski twarde SAS

PowerEdge M600, M605

Konfiguracja SATA

Jeden lub dwa 2,5 calowe dyski twarde SATA

Konfiguracja SAS

Jeden lub dwa 2,5 calowe dyski twarde SAS

UWAGA: W obrębie jednego serwera typu blade M600 lub M605 nie można instalować razem dysków twardych SAS i SATA.

Złącza

Zewnętrzne

USB

PowerEdge M805, M905	Trzy 4-stykowe, kompatybilne z USB 2.0
PowerEdge M600, M605	Dwa 4-stykowe, kompatybilne z USB 2.0

Wewnętrzne

Karta SD (PowerEdge M805, M905)	Jedno złącze karty SD
---------------------------------	-----------------------

Ethernet Controllers (Kontrolery sieci Ethernet)

Zestaw układów scalonych

PowerEdge M805, M905	Cztery porty Ethernet z obsługą TOE i iSCSI, zapewniane przez dwa dwuportowe zintegrowane kontrolery sieci Ethernet Broadcom 5709S Ethernet z dwoma portami
PowerEdge M600, M605	Dwa porty Ethernet obsługujące TOE i iSCSI, zapewniane przez dwa zintegrowane kontrolery Broadcom 5708S

Video Controller (Kontroler grafiki)

Typ grafiki	Kontroler grafiki ATI RN50
Pamięć grafiki	32 MB

Cechy fizyczne

PowerEdge M905, M805

Wysokość	38,5cm (15,2 in)
Szerokość	5 cm (3 cale)
Głębokość	48,6 cm (19,2 cala)
Ciężar (konfiguracja maksymalna)	11,1 kg (24,5 funtów)

PowerEdge M605, M600

Wysokość	18,9 cm (7,4 cala)
Szerokość	5 cm (3 cale)

Cechy fizyczne (ciąg dalszy)

Głębokość	48,6 cm (19,2 cala)
Ciężar (konfiguracja maksymalna)	5,2-6,4 kg (11,5-14,0 funtów)

Bateria

Bateria serwera typu blade	Litowo-jonowa bateria pastylkowa CR 2032 o napięciu 3,0 V
----------------------------	--

Specyfikacje obudowy systemu

Cechy fizyczne

Wysokość	44,0 cm (17,73 cala)
Szerokość	44,7 cm (17,6 cala)
Głębokość	75,5 cm (29,7 cala)
Ciężar (konfiguracja maksymalna)	178,3 kg (392,2 funtów)
Waga (bez wyposażenia)	44,6 kg (98,1 funtów)

Moduł zasilacza

Zasilacz prądu zmiennego/stałego (na każdy zasilacz)

Moc	2360 W
Złącze	Gniazdo NEMA C20
Emisja ciepła	1205 BTU/h maks.
Maksymalne natężenie prądu przy włączeniu	Przy typowym zasilaniu i w całym dozwolonym zakresie warunków pracy systemu natężenie prądu przy włączeniu może osiągnąć 55 A na zasilacz przez 10 ms lub krócej.
Wymagania dot. napięcia systemu	200 - 240V, 16A, 3-fazowe, 50 /60Hz 200 - 240V, 40.5A, pojedyncza faza, 50 /60Hz

Opcjonalne moduły iKVM firmy Avocent

Złącza tylne dostępne z zewnątrz

USB	Dwa 4-stykowe, kompatybilne z USB 2.0 złącza do obsługi klawiatury i myszy
Port ACI	RJ-45
Grafika	15-stykowa karta VGA

Chassis Management Controller Module (Kontroler zarządzania obudową)

Złącza dostępne z zewnątrz

Zarządzanie zdalne	Dwa porty 10/100/1000 Mb RJ-45 dla zintegrowanego kontrolera dostępu zdalnego dla sieci Ethernet.
Szeregowe	9-stykowe, DTE, kompatybilne z 16550
Grafika	15-stykowa karta VGA
Bateria	Litowo-jonowa bateria pastylkowa CR 2032 o napięciu 3,0 V
Karta SD	Jedno wewnętrzne gniazdo karty pamięci typu flash SD (Secure Digital) do obsługi FlexAddress

Panel sterowania obudowy

Złącza dostępne z zewnątrz

USB	
PowerEdge M905, M805	Trzy 4-stykowe, kompatybilne z USB 2.0 kontrolery do obsługi klawiatury i myszy
PowerEdge M605, M600	Dwa 4-stykowe, kompatybilne z USB 2.0 złącza do obsługi klawiatury i myszy
Grafika	15-stykowa karta VGA

Panel nawigacyjny

Funkcje	Cztery funkcje kursora, jeden wybór klawisza, ekran LCD
---------	---

Specyfikacja modułu wejścia/wyjścia

Moduł przełącznika sieci Ethernet PowerConnect M6220

Złącza dostępne z zewnątrz

10/100/1000 Mbps sieci Ethernet	Cztery porty połączenia nadrzędnego RJ-45
Szeregowe	Jedno 4-stykowe złącze USB 2.0 typu A (Należy użyć dostarczonego portu USB typu A dla karty DB9 w celu podłączenia do terminalu)
Moduły opcjonalne	Dwie opcjonalne wnęki Każda wnęka jest przeznaczona na moduł z dwoma portami 24 Gb do montowania stosu, dwoma miedzianymi łączami nadrzędnymi 10 Gb CX4 lub dwoma optycznymi 10 Gb XFPs.

Moduł przełącznika Cisco M7000E Infiniband

Złącza dostępne z zewnątrz	Osiem portów łącza nadrzędnego DDR Infiniband
----------------------------	---

Gigabitowy moduł przelotowy sieci Ethernet

Złącza dostępne z zewnątrz	Szesnaście portów RJ-45 Ethernet
----------------------------	----------------------------------

Światłowodowy moduł przelotowy

Złącza dostępne z zewnątrz	
Światłowodowy nadajnik-odbiornik	Szesnaście zewnętrznych portów SFP, które obsługują prędkości 1/2/4 Gbps FC

Światłowodowy moduł przełącznika Brocade

Złącza dostępne z zewnątrz

Światłowód	Osiem fizycznych portów FC cztery ustawione domyślnie, z możliwością rozbudowy do ośmiu), które obsługują połączenia światłowodowe o prędkości 04-01-02-Gbps
Port szeregowy	RJ-45

Warunki otoczenia

UWAGA: W celu uzyskania dodatkowych informacji o warunkach otoczenia przewidzianych dla poszczególnych konfiguracji systemu proszę odwiedzić stronę internetową dell.com/environmental_datasheets. Ten system nie nadaje się do użytku w otoczeniu biurowym.

Temperatura

W trakcie pracy	10° do 35°C (od 50° do 95°F) UWAGA: Temperaturę maksymalną należy obniżyć do 1°C (1,8°F) na każde 300 m (985 stóp) dla wysokości przekraczającej 900 m (2955 stóp).
Podczas przechowywania	Od -40° do 65°C (od -40° do 149°F)

Wilgotność względna

W trakcie pracy	Od 8% do 85% (bez kondensacji) przy maksymalnym gradiencie wilgotności wynoszącym 10% na godzinę
Podczas przechowywania	Od 5% do 95% (przy braku kondensacji)

Maksymalne natężenie wibracji

W trakcie pracy	0,26 G przy częstotliwości 10 – 350 Hz przez 15 min
Podczas przechowywania	1,54 G przy częstotliwości 10 – 250 Hz przez 15 min

Maksymalne wstrząsy

W trakcie pracy	Jeden wstrząs na dodatniej osi Z o sile 31 G przez maksymalnie 2,6 ms
Podczas przechowywania	
PowerEdge M905, M805	Sześć kolejnych wstrząsów na dodatniej i ujemnej stronie osi X, Y, Z o sile 71 G przez maksymalnie 2 ms
PowerEdge M605, M600	Sześć kolejnych wstrząsów na dodatniej i ujemnej stronie osi X, Y, Z o sile 71 G przez maksymalnie 2 ms

Wysokość n.p.m.

W trakcie pracy	Od -16 do 3048 m (od -50 do 10 000 stóp)
Podczas przechowywania	Od -16 do 10 600 m (od -50 do 35 000 stóp)

Dell™ PowerEdge™
M905, M805, M605 и M600

Начало работы с системой



Примечания, замечания и предостережения



ПРИМЕЧАНИЕ: Подзаголовок ПРИМЕЧАНИЕ указывает на важную информацию, которая поможет использовать компьютер более эффективно.



ВНИМАНИЕ: ВНИМАНИЕ указывает на возможность повреждения оборудования или потери данных и объясняет, как этого избежать.



ПРЕДУПРЕЖДЕНИЕ: ПРЕДУПРЕЖДЕНИЕ указывает на потенциальную опасность повреждения, получения легких травм или угрозу для жизни.

Информация в этом документе может быть изменена без предварительного уведомления.
© 2008 Dell Inc. Все права защищены.

Воспроизведение любой части данного документа любым способом без письменного разрешения корпорации Dell Inc. строго воспрещается.

Товарные знаки, использованные в этом документе: *Dell*, логотип *DELL* и *Dell OpenManage* являются торговыми знаками корпорации Dell Inc.; *Microsoft*, *Windows*, и *Windows Server* являются товарными знаками или зарегистрированными товарными знаками корпорации Microsoft в США и других странах; *AMD* и *AMD Opteron* являются товарными знаками корпорации Advanced Micro Devices, Inc.; *Intel* и *Xeon* являются зарегистрированными товарными знаками корпорации Intel; *SUSE* является зарегистрированным товарным знаком корпорации Novell, Inc.; *Red Hat* и *Enterprise Linux* являются зарегистрированными товарными знаками корпорации Red Hat, Inc.; *VMware* является зарегистрированным товарным знаком корпорации VMware, Inc. в США и других странах.

Остальные товарные знаки и названия продуктов могут использоваться в этом руководстве для обозначения компаний, заявляющих права на товарные знаки и названия, или продуктов этих компаний. Корпорация Dell Inc. не заявляет прав ни на какие товарные знаки и названия, кроме собственных.

Модель **BMX01**

Май 2008 г.

P/N R431C

Ред. A00

Компоненты системы

В этом разделе описываются основные компоненты аппаратного и программного обеспечения системы. Кроме того, в нем содержится информация о других документах, которые могут быть полезны при настройке системы, и о порядке получения технической поддержки.

Компоненты модульного корпуса

Модульный корпус (шасси) M1000e включает следующие компоненты:

Компоненты расширения

- Поддержка до 16 серверных модулей половинной высоты или до 8 полноразмерных серверных модулей.
- Поддержка трех уровней архитектуры ввода/вывода, выбор между комбинациями модулей Ethernet, Infiniband и Fibre Channel.

Возможность установки до трех модулей ввода/вывода: коммутаторы Fibre Channel, транзитные модули Fibre Channel, коммутаторы Infiniband, коммутаторы Ethernet и транзитные модули Ethernet.

Компоненты обеспечения надежности

- Девять резервных вентиляторных модулей с возможностью "горячей" замены.
- Три блока питания мощностью 2360 Вт с возможностью "горячей" замены и три платы питания или шесть блоков питания мощностью 2360 Вт с возможностью "горячей" замены. (Три блока питания обеспечивают питание системы; три дополнительных резервных блока питания обеспечивают режим 3+3.)



ВНИМАНИЕ: Блоки питания подключаются к блоку распределения питания (PDU). Их невозможно подключить напрямую к электророзетке.




ВНИМАНИЕ: Модульному корпусу необходим источник питания 200-240 В.

Компоненты управления системой

- Контроллер шасси (СМС), обеспечивающий несколько важных функций управления системой:
 - Управление питанием и температурой модульного корпуса:
 - Контроллер шасси отслеживает требования питания системы и поддерживает дополнительный режим динамического управления питанием Dynamic Power Supply Engagement, позволяющий динамически переводить источники питания в спящий режим в зависимости от нагрузки и требований резервирования для повышения эффективности использования источников питания.
 - Контроллер шасси передает данные о потреблении энергии в реальном времени.
 - Контроллер шасси поддерживает дополнительную функцию контроля предельно допустимого значения, позволяющую выводить предупреждение или обеспечивать работу с определенным энергопотреблением.
 - Контроллер шасси контролирует работу вентиляторов на основе измерения внутренней температуры и температуры окружающей среды.
 - Контроллер шасси обеспечивает предоставление инвентаризационной информации, а также отчетов об ошибках или статусе.
 - Контроллер шасси позволяет осуществлять централизованную настройку следующих параметров:
 - Параметры безопасности и сетевые параметры контроллера шасси
 - Параметры резервирования питания и предельно допустимого значения
 - Параметры коммутаторов ввода/вывода и сетевые параметры iDRAC
 - Первое загружаемое устройство на серверных модулях


- Контроллер шасси проверит согласованность архитектуры ввода/вывода между модулями ввода/вывода и серверными модулями и при необходимости отключит компоненты системы для защиты аппаратного обеспечения.
- Безопасность доступа пользователей.
- Разъем для карт SD на карте контроллера шасси поддерживает дополнительную функцию WWN/MAC, обеспечивающую WWN/MAC на основе разъемов для серверных модулей, упрощая процесс установки и удаления серверных модулей.

Контроллер шасси имеет два порта Ethernet. "Gb1" используется для подключения к внешней сети. "Стек" позволяет подключение по гирляндной цепи контроллеров шасси смежных модульных корпусов. Коммутатор Ethernet на 24 порта обеспечивает 100-Мб соединение с серверными модулями, модулями ввода/вывода, дополнительным переключателем для клавиатуры, мыши и видео iKVM и дополнительным резервным контроллером шасси, а также обеспечивает 10/100/1000-Мб подключение к внешней сети.

 **ПРИМЕЧАНИЕ:** Коммутатор Ethernet на 24 порта зарезервирован для внутренней связи iDRAC на серверных модулях с контроллером шасси и с внешней сетью.

Дополнительный контроллер шасси может быть установлен для перехвата управления при отказе с возможностью "горячей" замены.

- Панель управления модульного корпуса, оснащенная ЖК-монитором, выводит информацию о текущей инфраструктуре и серверных модулях, а также сообщает об ошибках.
- Дополнительный переключатель Avocent iKVM обеспечивает следующие функции:
 - iKVM обеспечивает все соединения серверных модулей при переключении ввода с каждого модуля.
 - Локальный доступ к iKVM можно удаленно отключить с помощью пользовательского интерфейса iDRAC.
 - Один VGA-разъем.
 - Два порта USB для подключения клавиатуры и мыши.

 **ПРИМЕЧАНИЕ:** Функциональность USB зависит от подключения видеоинтерфейса, например кабеля монитора.

- АСI-порт RJ-45 для связи с внешними аналоговыми переключателями KVM Dell и Avocent и коммутаторами "KVM over IP" с АRI-портами. Подключение АСI имеет приоритет перед портами KVM на задней панели.
- Доступ к переключателю iKVM также можно получить с помощью панели управления на передней панели модульного корпуса. Поддержка функциональности KVM на передней/задней панели (одновременное функционирование не поддерживается).



ПРИМЕЧАНИЕ: Передний переключатель iKVM включается по умолчанию при наличии конфликтов между передними и задними портами iKVM. Доступ к переднему iKVM можно отключить с помощью пользовательского интерфейса контроллера шасси.

Серверные модули

Производительность

PowerEdge M905

- Четыре двухъядерных или четырехъядерных процессора AMD™ Opteron™ 8000.
- Не менее 8 Гб памяти DDR2 с частотой 677 МГц DDR2 с возможностью расширения до 192 Гб путем установки пар модулей объемом 1, 2, 4 или 8 Гб в 24 разъема для установки модулей памяти на системной плате. Серверный модуль также поддерживает резервирование памяти (Memory Sparing), если в 8 или 16 разъемах для установки модулей памяти установлены идентичные модули.
- Разъем для карты памяти SD (Secure Digital) с поддержкой технологии Hypervisor.

PowerEdge M805

- Два двухъядерных или четырехъядерных процессора AMD Opteron 2000.
- Не менее 4 Гб памяти DDR2 с частотой 677 МГц DDR2 с возможностью расширения до 128 Гб путем установки пар модулей объемом 1, 2, 4 или 8 Гб в 16 разъемов для установки модулей памяти на системной плате.

Серверный модуль также поддерживает функцию резервирования памяти (Memory Sparing), если в 8 или 16 разъемах для установки модулей памяти установлены идентичные модули.

- Разъем для карты памяти SD (Secure Digital) с поддержкой технологии Hypervisor.

PowerEdge M600

- Один или два двухядерных или четырехядерных процессора Intel® Xeon®.
- Не менее 1 Гб памяти FBD с частотой 677 МГц с возможностью расширения до 64 Гб путем установки пар модулей объемом 512 Мб, 1, 2, 4 или 8 Гб в 8 разъемов для установки модулей памяти на системной плате. Кроме того, если во все восемь разъемов для модулей памяти вставлены идентичные модули, система поддерживает резервирование или зеркальное отображение памяти.

PowerEdge M605

- Один или два двухядерных или четырехядерных процессора AMD Opteron 2000.
- Не менее 1 Гб памяти с частотой 677 МГц или 800 МГц с возможностью расширения до 64 Гб путем установки пар модулей объемом 512 Мб, 1, 2, 4 или 8 Гб в 8 разъемов для установки модулей памяти на системной плате. Серверный модуль также поддерживает функцию Memory Sparing.

Общие функции

- Серверные модули PowerEdge M805 и M905 поддерживают один или два 2,5-дюймовых жестких диска SAS.
- Серверные модули PowerEdge M600 и M605 поддерживают один или два 2,5-дюймовых жестких диска SATA *или* один или два 2,5-дюймовых жестких диска SAS.



ПРИМЕЧАНИЕ: В одном серверном модуле нельзя устанавливать жесткие диски SAS и SATA.

При установке дополнительного RAID-контроллера поддерживается функция "горячей" замены.

- Три порта USB 2.0 (PowerEdge M805 и M905) или два порта USB 2.0 (PowerEdge M605 и M600) поддерживают такие устройства, как мышь, клавиатура, флэш-накопитель, дисковод гибких дисков или оптический привод.



ПРИМЕЧАНИЕ: Поддерживаются только устройства USB, произведенные Dell.

- Встроенная VGA-совместимая видеоподсистема с видеоконтроллером ATI RN500. Содержит 32 Мб видеопамяти SDRAM (без возможности модернизации). Максимальное разрешение 1280 x 1024 x 65000 цветов (с прогрессивной разверткой).
- Интегрированный контроллер iDRAC для удаленного управления системой, управления питанием модулей, поддержки KVM, удаленного ведения журнала и оповещения.
- Четыре порта Ethernet (1Гб) и два встроенных двухпортовых контроллера Broadcom 5709S (PowerEdge M805 и M905) или два порта Ethernet (1Гб) и два встроенных контроллера Broadcom 5708S (PowerEdge M600 и M605). Поддержка TCP/IP Offload Engine (TOE) и загрузки через iSCSI.

"Спецификации." на стр. 150 Полный список функций системы см.

С системой поставляется следующее программное обеспечение:

- Программа настройки системы System Setup для быстрого просмотра и изменения информации о конфигурации системы. Дополнительную информацию об этой программе можно найти в разделе "Использование программы настройки системы" в *Hardware Owner's Manual (Руководство пользователя оборудования)*.
- Программа настройки системы предоставляет дополнительные возможности защиты, включая системный пароль и пароль программы настройки.
- Средства диагностики системы для оценки состояния компонентов системы и устройств. Информацию об использовании средств диагностики системы можно найти в разделе "Запуск диагностики системы" руководства *Hardware Owner's Manual (Руководство пользователя оборудования)*.
- Видеодрайверы для отображения многих популярных прикладных программ в режимах с высоким разрешением.

- Документация и программное обеспечение для управления системой. Программное обеспечение для управления системой используется для управления и мониторинга каждого отдельного серверного модуля, а также системы в целом, включая все серверные модули, сетевые коммутационные модули, блоки питания и вентиляторы. Программное обеспечение для управления системой обеспечивает локальное и удаленное управление системой в сети. Корпорация Dell рекомендует использовать программное обеспечение для управления системой, входящее в комплект поставки данной системы.
- Программное обеспечение с дополнительными решениями по веб-хостингу, кэшированию и выравниванию загрузки. Более подробную информацию см. в документации к программному обеспечению.

Поддерживаемые операционные системы

- Microsoft® Windows Server™ 2003 R2 Standard и Enterprise Edition (32-разрядный код для платформы x86) с пакетом обновления SP2
- Microsoft Windows Server 2003, Standard, Enterprise и DataCenter (x64) Edition с пакетом обновления SP1, SP2
- Microsoft Windows Server 2003 R2 Standard и Enterprise Edition (32-разрядный код для платформы x86) с пакетом обновления SP1, SP2
- Microsoft Windows Server 2003 R2 Standard, Enterprise и DataCenter (x64) Edition с пакетом обновления SP1, SP2
- Microsoft Windows Server 2008, Standard Edition с пакетом обновления SP1, SP2, DataCenter и EM64T
- Red Hat® Enterprise Linux® AS, ES и WS (версия 4) и EM64T
- Red Hat Enterprise Linux AS и ES (версия 4) (ia32)
- Red Hat Enterprise Linux Server AS и ES (версия 5) (ia32)
- Red Hat Enterprise Linux AS, ES и WS (версия 5) и EM64T
- SUSE® Linux Enterprise Server 9 (x86_64) с пакетом обновления SP3 и EM64T
- SUSE Linux Enterprise Server 10 (x86_64) и EM64T
- VMWare® ESX 3.1
- VMWare ESX 3.5

Прочая полезная информация



ПРЕДУПРЕЖДЕНИЕ: Прочтите документацию по безопасности и гарантии, предоставляемой вместе с компьютером. Гарантийная информация может включаться в состав данного документа или в отдельный документ.

- В *Руководстве по настройке (Configuration Guide)* содержится информация по конфигурированию модульного корпуса и серверных модулей.
- Документы *Rack Installation Guide (Руководство по установке в стойку)* или *Rack Installation Instructions (Инструкции по установке в стойку)*, поставляемые со стойкой, описывают процедуру монтажа системы в стойку.
- В документе *Hardware Owner's Manual (Руководство пользователя оборудования)* предоставляется информация о характеристиках системы и описан порядок устранения неисправностей системы и установки или замены ее компонентов. Этот документ можно найти на компакт-дисках, поставляемых вместе с системой или на веб-сайте **support.dell.com**.
- В *Руководстве пользователя по использованию контроллера шасси (Dell Chassis Management Controller User's Guide)* содержится подробная информация по использованию функций удаленного управления системой.
- Компакт-диски и DVD-диски, поставляемые вместе с системой, предоставляют документацию, а также средства настройки системы и управления ею.
- Документация по программному обеспечению для управления системой, в которой описаны функции, требования, процедура установки программного обеспечения и основная работа с ним.
- Документация по операционной системе содержит описание установки (при необходимости), настройки и использования ОС.
- Документация по другим приобретенным отдельно компонентам содержит информацию о настройке и установке этих компонентов.

- Обновления документов иногда прилагаются к системе для предоставления описания изменений, внесенных в систему, программное обеспечение и/или в документацию.



ПРИМЕЧАНИЕ: Рекомендуется регулярно проверять наличие обновлений на веб-сайте support.dell.com и в первую очередь изучать содержащуюся в них информацию, поскольку часто она является более новой по сравнению с информацией в других документах.

- В комплект поставки могут включаться файлы с информацией о версии или файлы "Readme" с описанием последних обновлений и изменений в системе или с дополнительной технической информацией, предназначенной для опытных пользователей и обслуживающего персонала.

Получение технической поддержки

В случае непонимания приведенной в настоящем руководстве процедуры или если система не работает должным образом, см. документ *Hardware Owner's Manual (Руководство пользователя оборудования)*.

Можно воспользоваться программой обучения и сертификации корпорации Dell (Enterprise Training & Certification). Дополнительную информацию см. на веб-узле www.dell.com/training. Услуги обучения и сертификации доступны не во всех регионах.

Установка и конфигурирование



ПРЕДУПРЕЖДЕНИЕ: Перед выполнением описанных ниже процедур ознакомьтесь с инструкциями по технике безопасности и важной нормативной информацией, предоставляемой вместе с системой. Для получения информации о дополнительной безопасности см. www.dell.com/regulatory_compliance.

В данном разделе описываются действия, необходимые для первоначальной настройки системы.

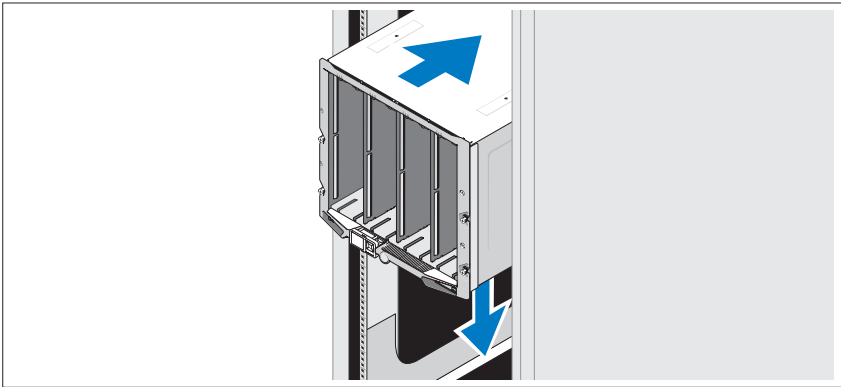
Распаковка системы

Распакуйте систему и идентифицируйте каждый элемент. Сохраните все поставляемые материалы, так как они могут понадобиться в дальнейшем.

Установка системы в стойку

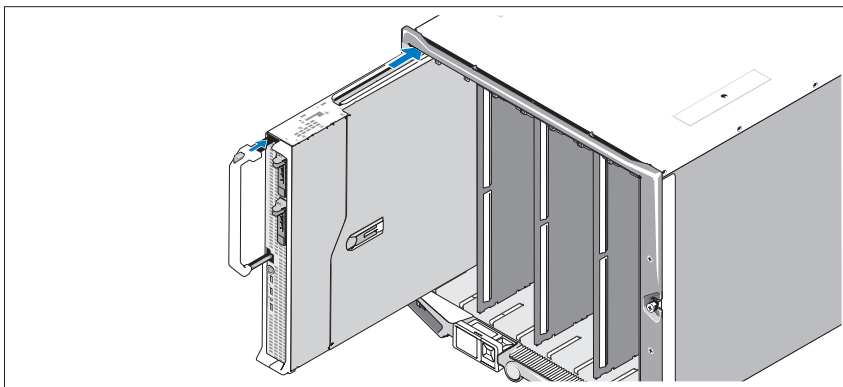
Установите систему в стойку после ознакомления с "Инструкциями по технике безопасности", представленными в документации по установке системы в стойку.

Инструкции по установке системы в стойку можно найти в документации по установке в стойку. Для получения руководства по питанию и охлаждению воспользуйтесь инструментом планировки монтажа в стойку на веб-сайте www.dell.com.



Установка серверных модулей

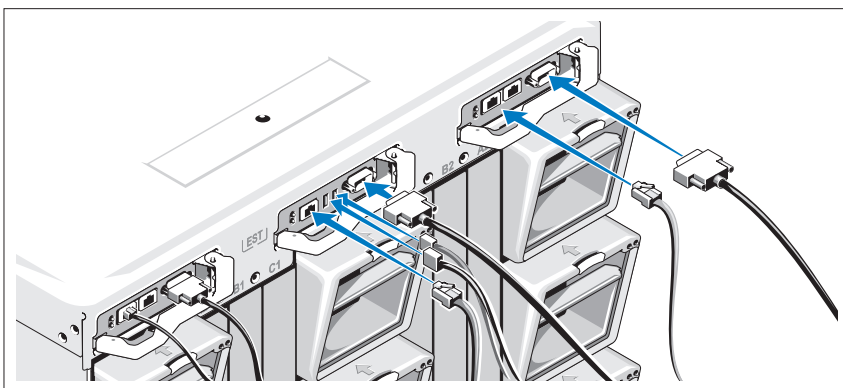
Начиная сверху, вставляйте модули в модульный корпус слева направо. После правильной установки модуля ручка вернется в исходное положение.



Подключите модули контроллера шасси и KVM

Подключите систему управления к модулю контроллера шасси с помощью последовательного и сетевого кабелей. При наличии дополнительного контроллера шасси подключите и его. (Если шасси предустановлено в серверных модулях M805 или M905, для контроллера шасси установлено встроенное программное обеспечение версии 1.2 или более поздней версии.)

Подключите клавиатуру, мышь и монитор к дополнительному модулю iKVM.

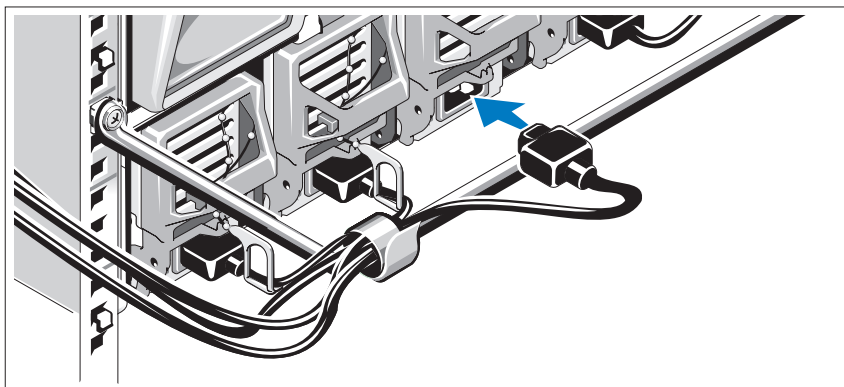


Подключите электропитание к системе

Подсоедините шнуры питания к системе.

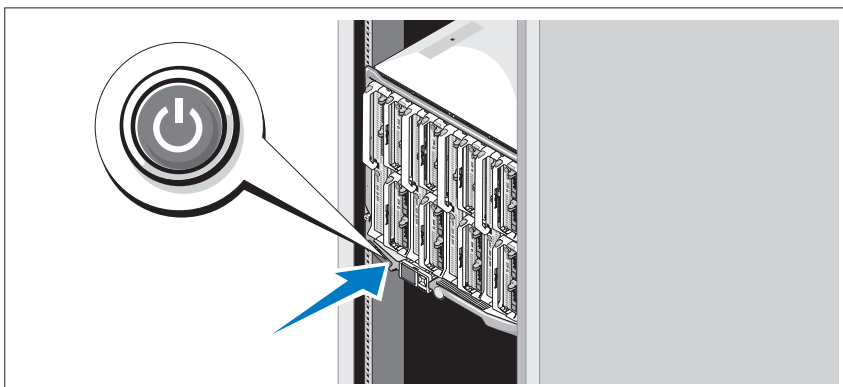
- ➔ **ВНИМАНИЕ:** Чтобы предотвратить случайное отсоединение кабелей, используйте пластиковый зажим и ленту Velcro для надежного крепления кабелей.

Подключите другой конец шнуров питания к заземленной розетке или отдельному источнику питания, например, к источнику бесперебойного питания (UPS) или распределительному щиту питания (PDU).



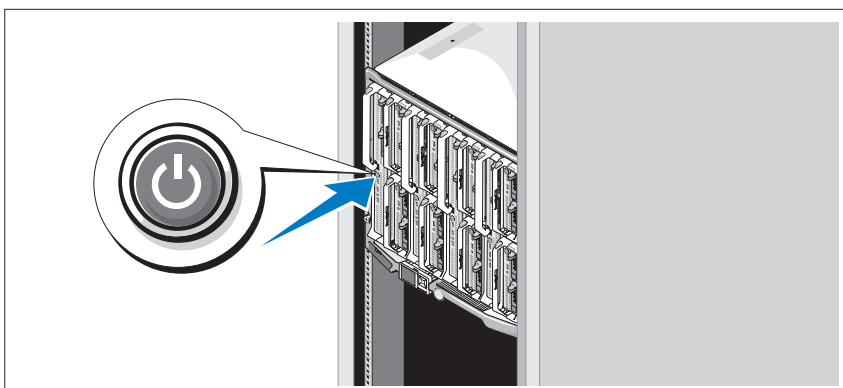
Включите систему.

Нажмите кнопку питания на модульном корпусе. Загорится индикатор питания.



Включите модули

Нажмите кнопки электропитания на каждом серверном модуле или включите питание модулей с помощью программного обеспечения управления системой.



Завершение установки операционной системы

Если компьютер приобретен с предустановленной операционной системой, см. соответствующую документацию, поставляемую вместе с компьютером. Описание первоначальной установки операционной системы см. в Кратком руководстве по установке. Операционная система должна быть установлена до установки аппаратного или программного обеспечения, которое не было приобретено вместе с системой.

Спецификации

Технические характеристики модуля

Процессор

Тип процессора

PowerEdge M905	Четыре двухъядерных или четырехъядерных процессора AMD Opteron 8000
PowerEdge M805	Два двухъядерных или четырехъядерных процессора AMD Opteron 2000
PowerEdge M600	Один или два двухъядерных или четырехъядерных процессора Intel Xeon
PowerEdge M605	Один или два двухъядерных или четырехъядерных процессора AMD Opteron 2000

Оперативная память

Архитектура

PowerEdge M600	Модули памяти FBD для работы с частотой 677 МГц
PowerEdge M905, M805, M605	Модули памяти DDR2 для работы с частотой 677 МГц

Оперативная память (продолжение)

Разъёмы для модулей памяти

PowerEdge M905	24 240-контактных разъема
PowerEdge M805	16 240-контактных разъемов
PowerEdge M605, M600	8 240-контактных разъемов
Емкость модулей памяти	512 Мб (PowerEdge M605 и M600), 1 Гб, 2 Гб, 4 Гб или 8 Гб
Минимальный объем ОЗУ	Два модуля памяти на каждый процессор
PowerEdge M905	8 Гб (восемь модулей памяти объемом по 1 Гб)
PowerEdge M805	4 Гб (четыре модуля памяти объемом по 1 Гб)
PowerEdge M600, M605	1 Гб (два модуля памяти по 512 Мб)
Максимальный объем ОЗУ	
PowerEdge M905	192 Гб
PowerEdge M805	128 Гб
PowerEdge M600, M605	64 Гб

Накопители

Жесткие диски

PowerEdge M805, M905	Один или два 2,5-дюймовых жестких диска SAS
PowerEdge M600, M605	
Конфигурация SATA	Один или два 2,5-дюймовых жестких диска SATA
Конфигурация SAS	Один или два 2,5-дюймовых жестких диска SAS

ПРИМЕЧАНИЕ: Жесткие диски SAS и SATA нельзя использовать совместно в модулях M600 или M605.

Разъемы

Внешний

USB

PowerEdge M805, M905	Три 4-контактных разъема, совместимых с USB 2.0
PowerEdge M600, M605	Два 4-контактных разъема, совместимых с USB 2.0

Внутренний

Карта SD (PowerEdge M805, M905)	Один разъем для карт SD
---------------------------------	-------------------------

Контроллеры Ethernet

Набор микросхем

PowerEdge M805, M905	Четыре порта Ethernet с TOE и поддержкой загрузки через iSCSI на двух встроенных двухпортовых контроллерах Ethernet Broadcom 5709S
PowerEdge M600, M605	Два порта Ethernet с TOE и поддержкой загрузки через iSCSI на двух встроенных контроллерах Broadcom 5708S

Видеоадаптер

Тип видеоадаптера	Видеоконтроллер ATI RN50
Видеопамять	32 Мб

Габаритные размеры

PowerEdge M905, M805

Высота	38,5 см (15,2 дюйма)
Ширина	5 см (2 дюйма)
Ширина	48,6 см (19,2 дюйма)
Вес (макс. конфигурация)	11,1 кг (24,5 фунта)

Габаритные размеры (продолжение)

PowerEdge M605, M600

Высота	18,9 см (7,4 дюйма)
Ширина	5 см (2 дюйма)
Ширина	48,6 см (19,2 дюйма)
Вес (макс. конфигурация)	5,2-6,4 кг (11,5-14,0 фунта)

Батарея

Батарея модуля Круглый ионно-литиевый CR 2032 3,0 В

Технические характеристики модульного корпуса

Габаритные размеры

Высота	44,0 см (17,3 дюйма)
Ширина	44,7 см (17,6 дюйма)
Ширина	75,5 см (29,7 дюйма)
Вес (макс. конфигурация)	178,3 кг (392,2 фунта)
Вес (пустой)	44,6 кг (98,1 фунта)

Модуль блока питания

Источник питания переменного/постоянного тока (для каждого блока питания)

Мощность в ваттах	2360 Вт
Разъем	NEMA C20
Теплоотдача	1205 БТЕ/ч. (максимально)
Максимальный бросок тока	В условиях стандартного электропитания и нормальных условий окружающей среды системы бросок тока может достигать не более 55 А на блок питания в течение не более 10 мс.
Требования напряжения	200 - 240 В, 16 А, 3 фазы, 50 /60 Гц 200 - 240 В, 40,5 А, 1 фаза, 50 /60 Гц

Дополнительный модуль Avocent iKVM

Доступные снаружи разъемы задней панели

USB	Два 4-контактных разъема, совместимых с USB 2.0 для подключения мыши и клавиатуры
АСИ-порт	RJ-45
Видео	15-контактный VGA-разъем

Модуль контроллера шасси

Доступные снаружи разъемы

Удаленное управление	Два порта RJ-45 (10/100/1000 Мб) для контроллера удаленного доступа через Ethernet.
Последовательный порт	9-контактный DTE-разъем, совместимый с 16550
Видео	15-контактный VGA-разъем
Батарея	Круглый ионно-литиевый CR 2032 3,0 В
Карта SD	Один внутренний разъем для карт SD (Secure Digital) с поддержкой функции FlexAddress.

Панель управления модульного корпуса

Доступные снаружи разъемы

USB	
PowerEdge M905, M805	Три 4-контактных разъема, совместимых с USB 2.0, для подключения мыши и клавиатуры
PowerEdge M605, M600	Два 4-контактных разъема, совместимых с USB 2.0, для подключения мыши и клавиатуры
Видео	15-контактный VGA-разъем

Панель навигации

Компоненты	Четыре кнопки управления курсором, одна кнопка выбора, ЖК-монитор
------------	---

Технические характеристики модуля ввода/вывода

Коммутационный модуль PowerConnect M6220 с интерфейсом Ethernet

Доступные снаружи разъемы

10/100/1000 Мбит/с Ethernet	Четыре порта RJ-45
Последовательный порт	Один 4-контактный разъем, совместимый с USB 2.0 типа А. (Используйте входящий в комплект адаптер USB типа А - DB9 для подключения к терминалу)
Дополнительные модули	Два дополнительных отсека. Каждый отсек поддерживает модуль с двумя портами (24 Гб), двумя медными портами CX4 (10 Гб) или двумя оптическими модулями XFP (10 Гб).

Модуль Cisco M7000E Infiniband Switch Module

Доступные снаружи разъемы	Восемь портов DDR Infiniband
---------------------------	------------------------------

Модуль транзита данных по сети Gb Ethernet

Доступные снаружи разъемы	16 портов RJ-45 Ethernet
---------------------------	--------------------------

Модуль транзита данных по сети Fibre Channel

Доступные снаружи разъемы

Трансивер Fibre Channel	16 внешних портов SFP с поддержкой скоростей 1/2/4 Гб/с
-------------------------	---

Коммутационный модуль Fibre Channel

Доступные снаружи разъемы

Fibre Channel	Восемь физических портов FC (4 по умолчанию, возможно расширение до 8) поддержка подключений Fibre Channel 1/2/4 Гб/с
Serial Port (Последовательный порт)	RJ-45

Условия эксплуатации

ПРИМЕЧАНИЕ: Дополнительную информацию о параметрах окружающей среды для установки определенных конфигураций системы см. на веб-узле dell.com/environmental_datasheets. Система не предназначена для использования в офисах.

Температура

Рабочий режим	от 10° до 35°C (от 50° до 95°F) ПРИМЕЧАНИЕ: Следует снижать максимальную температуру на 1°C на каждые 300 м при высотах более 900 м.
Режим хранения	от -40° до 65°C (от -40° до 149°F)

Относительная влажность

Рабочий режим	от 8% до 85% (без конденсации) с максимальным изменением влажности 10% в час.
Режим хранения	5–95 % (без конденсации)

Максимальная вибрация

Рабочий режим	0,26 Grms при 10–350 Гц на 15 мин
Режим хранения	1,54 Grms при 10–250 Гц на 15 мин

Максимальная ударная нагрузка

Рабочий режим	Один ударный импульс в положительном направлении оси z 31 G длительностью до 2,6 мс
Режим хранения	
PowerEdge M905, M805	Шесть последовательных ударных импульсов в положительном и отрицательном направлениях осей x, y, и z 71 G длительностью до 2 мс
PowerEdge M605, M600	Шесть последовательных ударных импульсов в положительном и отрицательном направлениях осей x, y, и z 71 G длительностью до 2 мс

Высота над уровнем моря

Рабочий режим	от -16 до 3048 м (от -50 до 10 000 футов)
Режим хранения	от -16 до 10 600 м (от -50 до 35 000 футов)

Dell™ PowerEdge™
M905, M805, M605 y M600

Procedimientos iniciales con el sistema



Notas, avisos y precauciones



NOTA: Una NOTA proporciona información importante que le ayudará a utilizar mejor el ordenador.



AVISO: Un AVISO indica la posibilidad de daños en el hardware o la pérdida de datos, e informa de cómo evitar el problema.



PRECAUCIÓN: Un mensaje de PRECAUCIÓN indica el riesgo de daños materiales, lesiones o incluso la muerte.

La información contenida en este documento puede modificarse sin previo aviso.

© 2008 Dell Inc. Todos los derechos reservados.

Queda estrictamente prohibida la reproducción de este documento en cualquier forma sin la autorización por escrito de Dell Inc.

Marcas comerciales utilizadas en este texto: *Dell*, el logotipo de *DELL* y *Dell OpenManage* son marcas comerciales de Dell Inc.; *Microsoft*, *Windows* y *Windows Server* son marcas comerciales o marcas comerciales registradas de Microsoft Corporation en los Estados Unidos o en otros países; *AMD* y *AMD Opteron* son marcas comerciales de Advanced Micro Devices, Inc.; *Intel* y *Xeon* son marcas comerciales registradas de Intel Corporation; *SUSE* es una marca comercial registrada de Novell, Inc.; *Red Hat* y *Enterprise Linux* son marcas comerciales registradas de Red Hat, Inc.; *VMware* es una marca comercial registrada de VMware, Inc. en los Estados Unidos o en otras jurisdicciones.

Otras marcas y otros nombres comerciales pueden utilizarse en este documento para hacer referencia a las entidades que los poseen o a sus productos. Dell Inc. renuncia a cualquier interés sobre la propiedad de marcas y nombres comerciales que no sean los suyos.

Modelo BMX01

Mayo de 2008

N/P R431C

Rev. A00

Características del sistema

En esta sección se describen las características principales del hardware y el software del sistema. También se ofrece información sobre otros documentos que puede necesitar para instalar el sistema y sobre cómo obtener asistencia técnica.

Características del alojamiento del sistema

El alojamiento del sistema M1000e (chasis) presenta las características siguientes:

Características de escalabilidad

- Compatibilidad con hasta dieciséis módulos de alta densidad (módulos de servidor) de media altura u ocho de altura completa.
- Compatibilidad con tres niveles de red Fabric de E/S, que pueden seleccionarse a partir de combinaciones de módulos Ethernet, Infiniband y Fibre Channel.

Se pueden instalar hasta seis módulos de E/S en el alojamiento, que pueden ser módulos de conmutador Fibre Channel, de paso a través Fibre Channel, de conmutador Infiniband, de conmutador Ethernet y de paso a través Ethernet.

Características de fiabilidad

- Nueve módulos de ventilador del sistema de acoplamiento activo redundantes.
- Tres fuentes de alimentación de acoplamiento activo de 2 360 vatios y tres paneles de relleno para el hueco de la fuente de alimentación o bien seis fuentes de alimentación de acoplamiento activo de 2 360 vatios. Las tres fuentes de alimentación proporcionan alimentación al sistema; al añadir tres fuentes de alimentación adicionales, se proporciona una redundancia 3+3.



AVISO: Las fuentes de alimentación sólo se pueden conectar a una unidad de distribución de alimentación (PDU). No se pueden conectar directamente a una toma eléctrica.



AVISO: El alojamiento del sistema requiere una fuente de energía de 200-240 V.

Características de administración de sistemas

- Una controladora de administración del chasis (CMC), que proporciona varias funciones básicas de administración de sistemas:
 - Administración de energía del alojamiento y administración térmica:
 - La CMC supervisa los requisitos de alimentación del sistema y es compatible con el modo opcional de activación dinámica de la fuente de alimentación para que la CMC pueda activar fuentes de alimentación o colocarlas en modo de espera de forma dinámica, según los requisitos de carga y redundancia, para mejorar la eficiencia energética.
 - La CMC notifica el consumo de energía en tiempo real.
 - La CMC admite un límite de energía opcional, que generará una alerta o desencadenará acciones para que el consumo de energía del alojamiento no sobrepase el límite predefinido.
 - La CMC supervisa y controla los ventiladores de refrigeración en función de mediciones reales de la temperatura interna y ambiente.
 - La CMC proporciona informes completos de errores o de estado y del inventario del alojamiento.
 - La CMC permite configurar de forma centralizada los valores siguientes:
 - La configuración de red y de seguridad de la CMC
 - Los ajustes de redundancia y límite de energía
 - Los ajustes de red de iDRAC y de los conmutadores de E/S
 - El primer dispositivo de inicio de los módulos de alta densidad
 - La CMC comprobará la coherencia de la red Fabric de E/S entre los módulos de E/S y los módulos de alta densidad, y desactivará componentes del sistema, si procede, para proteger el hardware del sistema.
 - Seguridad de acceso de los usuarios.
 - Una ranura para tarjeta SD en la tarjeta CMC admite una función de WWN/MAC opcional persistente que permite la utilización de WWN/MAC basados en ranuras para los módulos de alta densidad, lo que simplifica su instalación y sustitución.

La CMC cuenta con dos puertos Ethernet. El puerto “Gb1” se utiliza para la conexión a la red de administración externa. El puerto “Stack” permite conectar secuencialmente CMC de alojamientos adyacentes. Un conmutador Ethernet de 24 puertos proporciona una comunicación interna a 100 Mb con los módulos de alta densidad, los módulos de E/S, un módulo iKVM opcional y una segunda CMC redundante opcional, y proporciona una conexión de 10/100/1000 Mb a la red de administración externa.



NOTA: El conmutador Ethernet de 24 puertos está reservado para la comunicación interna entre la iDRAC de los módulos de alta densidad y la CMC, y luego con la red de administración externa.

Se puede instalar una segunda CMC opcional para obtener redundancia de sustitución tras error de acoplamiento activo.

- Un panel de control del alojamiento que incluye una pantalla LCD que proporciona información actual sobre la infraestructura y los módulos de alta densidad, así como notificación de errores.
- Un módulo de teclado, vídeo y ratón integrados (iKVM) Avocent opcional, que presenta las características siguientes:
 - El iKVM mantiene todas las conexiones del módulo de alta densidad mientras se conmuta la entrada desde cada módulo de alta densidad.
 - El acceso a iKVM local se puede desactivar de forma remota para cada módulo de alta densidad a través de la interfaz de usuario de iDRAC.
 - Un conector VGA.
 - Dos puertos USB para las conexiones del teclado y del ratón.



NOTA: La funcionalidad USB está sujeta a la conexión de una interfaz de vídeo, como por ejemplo un cable de monitor.

- Un puerto ACI RJ-45 para la conexión en cascada con conmutadores externos KVM analógicos Dell y Avocent y conmutadores KVM sobre IP con puertos ARI. La conexión ACI tiene prioridad sobre los puertos KVM del panel posterior.
- También se puede acceder al iKVM desde el panel de control situado en la parte frontal del alojamiento. Se admite la función KVM frontal o posterior, pero no ambas simultáneamente.



NOTA: Cuando hay un intento de transmisión simultánea por los puertos iKVM frontal y posterior, el iKVM frontal se activa de manera predeterminada. El acceso al iKVM frontal se puede desactivar a través de la interfaz de usuario de la CMC.

Características del módulo de alta densidad

Características de rendimiento

PowerEdge M905

- Cuatro procesadores AMD™ Opteron™ serie 8000 de dos o cuatro núcleos.
- Un mínimo de 8 GB de módulos de memoria DDR2 a 677 MHz, ampliables a un máximo de 192 GB mediante la instalación de pares de módulos de 1 GB, 2 GB, 4 GB o 8 GB en los 24 zócalos de módulo de memoria de la placa base del módulo de alta densidad. El módulo de alta densidad también admite la sustitución de memoria si ocho o dieciséis zócalos de módulo de memoria están ocupados por módulos de memoria idénticos.
- Una ranura para tarjeta SD (Secure Digital) para la compatibilidad integrada con Hypervisor.

PowerEdge M805

- Dos procesadores AMD Opteron serie 2000 de dos o cuatro núcleos.
- Un mínimo de 4 GB de módulos de memoria DDR2 a 677 MHz, ampliables a un máximo de 128 GB mediante la instalación de pares de módulos de 1 GB, 2 GB, 4 GB o 8 GB en los 16 zócalos de módulo de memoria de la placa base del módulo de alta densidad. El módulo de alta densidad también admite la sustitución de memoria si ocho o dieciséis zócalos de módulo de memoria están ocupados por módulos de memoria idénticos.
- Una ranura para tarjeta SD para la compatibilidad integrada con Hypervisor.

PowerEdge M600

- Uno o dos procesadores Intel® Xeon® de dos o cuatro núcleos.
- Un mínimo de 1 GB de módulos de memoria FBD a 677 MHz, ampliables a un máximo de 64 GB mediante la instalación de pares de módulos de 512 MB, 1 GB, 2 GB, 4 GB o 8 GB en los ocho zócalos de módulo de memoria de la placa base del módulo de alta densidad. El módulo de alta densidad también admite la sustitución de memoria o la duplicación de memoria si los ocho zócalos de módulo de memoria están ocupados por módulos de memoria idénticos.

PowerEdge M605

- Uno o dos procesadores AMD Opteron serie 2000 de dos o cuatro núcleos.
- Un mínimo de 1 GB de módulos de memoria DDR2 a 677 o 800 MHz, ampliables a un máximo de 64 GB mediante la instalación de pares de módulos de 512 MB, 1 GB, 2 GB, 4 GB o 8 GB en los ocho zócalos de módulo de memoria de la placa base del módulo de alta densidad. El módulo de alta densidad también admite la sustitución de memoria.

Características comunes

- Los módulos de alta densidad PowerEdge M805 y M905 admiten una o dos unidades de disco duro SAS de 2,5 pulgadas.
- Los módulos de alta densidad PowerEdge M600 y M605 admiten una o dos unidades de disco duro SATA de 2,5 pulgadas *o bien* una o dos unidades de disco duro SAS de 2,5 pulgadas.



NOTA: Las unidades de disco duro SAS y SATA no pueden combinarse en un módulo de alta densidad.

Se admiten unidades de acoplamiento activo si hay una tarjeta controladora RAID opcional instalada en el módulo de alta densidad.

- Tres puertos compatibles con USB 2.0 (PowerEdge M805 y M905) o dos puertos compatibles con USB 2.0 (PowerEdge M605 y M600) que admiten dispositivos como un ratón, un teclado, una unidad flash, una unidad de disquete o una unidad óptica.



NOTA: Sólo se admiten dispositivos USB suministrados por Dell.

- Un subsistema de vídeo integrado compatible con VGA con una controladora de vídeo ATI RN50. Este subsistema de vídeo contiene 32 MB de memoria de vídeo SDRAM (no ampliable). La resolución máxima es de 1 280 x 1 024 con 65 000 colores (no entrelazados).
- Una controladora iDRAC (Integrated Dell Remote Access Controller), que proporciona administración remota del sistema, administración de energía del módulo de alta densidad, compatibilidad con KVM virtual y medios virtuales, sistema de alertas remoto y registro de eventos.
- Cuatro puertos Ethernet de 1 GB admitidos por dos controladoras Broadcom 5709S integradas de dos puertos (PowerEdge M805 y M905), o dos puertos Ethernet de 1 GB admitidos por dos controladoras Broadcom 5708S integradas (PowerEdge M600 y M605). Se admiten el motor de descarga TCP/IP (TOE) y el inicio iSCSI.

Para una lista completa de características del sistema, consulte “Especificaciones técnicas” en la página 172.

Con el sistema se incluye el software siguiente:

- Un programa de configuración del sistema para ver y cambiar rápidamente información de configuración del sistema. Para obtener más información sobre este programa, consulte “Uso del programa de configuración del sistema” en el *Manual del propietario del hardware*.
- Funciones de seguridad mejoradas, como una contraseña del sistema y una contraseña de configuración, disponibles a través del programa de configuración del sistema.
- Diagnósticos del sistema para evaluar los componentes del sistema y los dispositivos. Para obtener información sobre los diagnósticos del sistema, consulte “Ejecución de los diagnósticos del sistema” en el *Manual del propietario del hardware*.
- Controladores de vídeo para visualizar los programas de aplicación más conocidos en modos de alta resolución.

- Software y documentación de administración de sistemas. El software de administración de sistemas se utiliza para administrar y supervisar los módulos de alta densidad individualmente, así como el sistema en su totalidad, incluidos todos los módulos de alta densidad, módulos de conmutador de red, fuentes de alimentación y ventiladores. El software de administración de sistemas administra el sistema de forma local y remota en una red. Dell recomienda utilizar el software de administración de sistemas que se incluye con este sistema.
- Software de soluciones opcional para alojamiento web, almacenamiento en caché o equilibrio de carga. Consulte la documentación del software de soluciones para obtener más información.

Sistemas operativos admitidos

- Microsoft® Windows Server™ 2003 Web, Standard y Enterprise (x86 de 32 bits) Edition con SP2
- Microsoft Windows Server 2003 Standard, Enterprise y DataCenter (x64) Edition con SP1 y SP2
- Microsoft Windows Server 2003 R2 Standard y Enterprise (x86 de 32 bits) Edition con SP1 y SP2
- Microsoft Windows Server 2003 R2 Standard, Enterprise y DataCenter (x64) Edition con SP1 y SP2
- Microsoft Windows Server 2008 Standard Edition con SP1, SP2, DataCenter y EM64T
- Red Hat® Enterprise Linux® AS, ES y WS (versión 4) y EM64T
- Red Hat Enterprise Linux AS y ES (versión 4) (ia32)
- Red Hat Enterprise Linux Server AS y ES (versión 5) (ia32)
- Red Hat Enterprise Linux Server AS, ES y WS (versión 5) y EM64T
- SUSE® Linux Enterprise Server 9 (x86_64) con SP3 y EM64T
- SUSE Linux Enterprise Server 10 (x86_64) y EM64T
- VMWare® ESX 3.1
- VMWare ESX 3.5

Otra información útil



PRECAUCIÓN: Consulte la información sobre normativas y seguridad suministrada con el sistema. La información sobre la garantía puede estar incluida en este documento o constar en un documento aparte.

- La *Guía de configuración* proporciona información sobre cómo configurar el alojamiento del sistema y los módulos de alta densidad.
- En los documentos *Guía de instalación del rack* o *Instrucciones de instalación del rack*, incluidos con el rack, se describe cómo instalar el sistema en un rack.
- En el *Manual del propietario del hardware* se proporciona información sobre las características del sistema y se describe cómo solucionar problemas del sistema e instalar o sustituir componentes. Este documento puede encontrarse en los CD incluidos con el sistema o en support.dell.com.
- En la publicación *Dell Chassis Management Controller User's Guide* (Guía del usuario de la controladora de administración del chasis de Dell) se proporciona información detallada sobre el uso de las funciones de administración remota del sistema.
- Los CD o DVD que se suministran con el sistema proporcionan documentación y herramientas para configurar y administrar el sistema.
- En la documentación del software de administración de sistemas se describen las funciones, los requisitos, la instalación y el funcionamiento básico del software.
- En la documentación del sistema operativo se describe cómo instalar (si es necesario), configurar y utilizar el software del sistema operativo.
- En la documentación de los componentes adquiridos por separado se incluye información para configurar e instalar las opciones correspondientes.


- Algunas veces, con el sistema se incluyen actualizaciones que describen los cambios realizados en el sistema, en el software o en la documentación.
 - ✍ **NOTA:** Compruebe si hay actualizaciones en support.dell.com y, si las hay, léalas antes de proceder a la instalación, puesto que a menudo sustituyen la información contenida en otros documentos.
- Es posible que se incluyan notas de la versión o archivos Léame para proporcionar actualizaciones de última hora relativas al sistema o a la documentación, o material de consulta técnica avanzada destinado a técnicos o usuarios experimentados.

Obtención de asistencia técnica

Si no comprende algún procedimiento descrito en esta guía o si el sistema no funciona del modo esperado, consulte el *Manual del propietario del hardware*.

Tiene a su disposición el servicio de formación y certificación Dell para empresas. Para obtener más información, visite www.dell.com/training. Es posible que este servicio no se ofrezca en todas las regiones.

Instalación y configuración

 **PRECAUCIÓN:** Antes de realizar el procedimiento siguiente, lea y siga las instrucciones de seguridad y la información importante sobre normativas incluidas con el sistema. Para obtener información adicional sobre prácticas recomendadas de seguridad, visite www.dell.com/regulatory_compliance.

En esta sección se describen los pasos necesarios para configurar el sistema por primera vez.

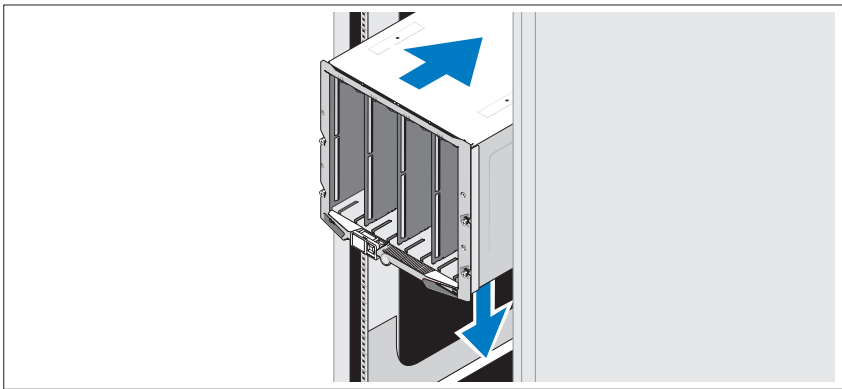
Desembalaje del sistema

Desembale el sistema e identifique cada elemento. Guarde el material de embalaje por si lo necesita más adelante.

Instalación del sistema en un rack

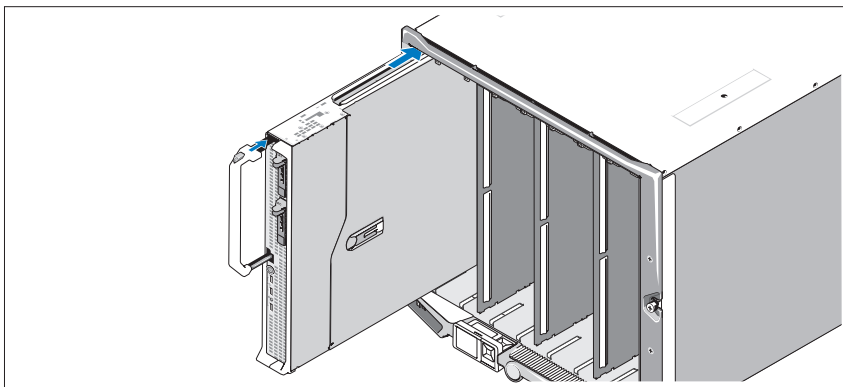
Después de leer las instrucciones de seguridad incluidas en la documentación del sistema relativa a la instalación del rack, instale el sistema en el rack.

Consulte la documentación de instalación del rack para obtener instrucciones sobre la instalación del sistema en un rack. Para obtener pautas sobre alimentación y refrigeración, consulte información sobre la herramienta de planificación de la capacidad del rack (rack capacity planner) en www.dell.com.



Instalación de los módulos de alta densidad

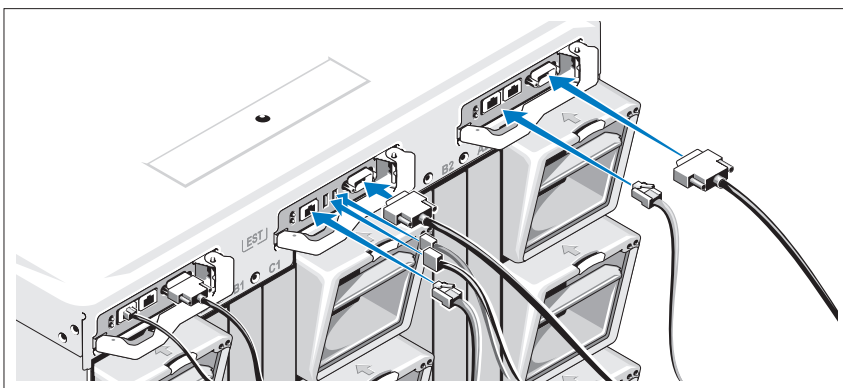
Empezando por la parte superior, inserte los módulos en el alojamiento de izquierda a derecha. Una vez que el módulo de alta densidad esté bien instalado, el asa volverá a la posición de cierre.



Conexión de los módulos CMC y KVM

Conecte el cable serie y el cable de red del sistema de administración al módulo CMC. Si va a instalar un segundo módulo CMC opcional, conéctelo también. Si con el chasis se incluyen módulos de alta densidad M805 o M905 preinstalados, la versión del firmware de la CMC será 1.2 o superior.

Conecte el teclado, el ratón y el monitor al módulo iKVM opcional.

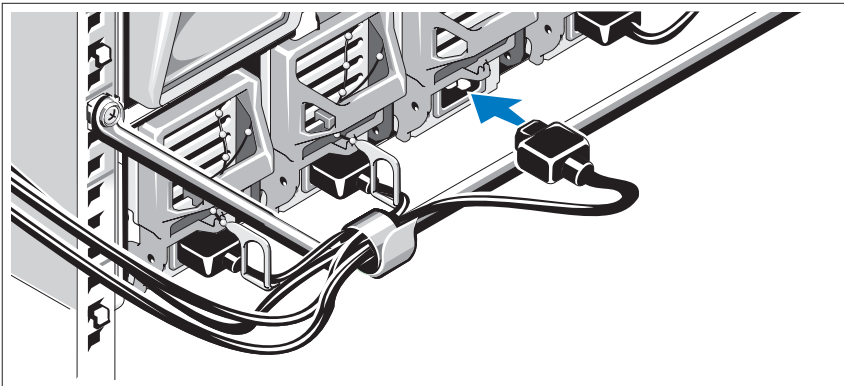


Conexión del sistema a la alimentación

Conecte los cables de alimentación del sistema a las fuentes de alimentación.

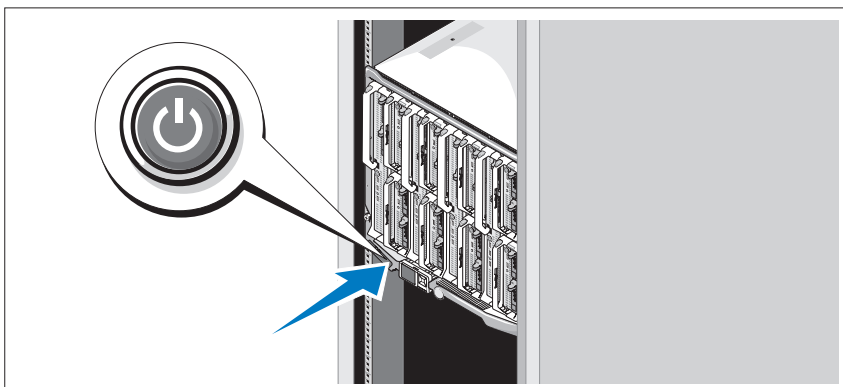
- ➔ **AVISO:** Para evitar que los cables de alimentación se desconecten accidentalmente, utilice el gancho de plástico de cada fuente de alimentación para fijar el cable a la fuente de alimentación, y utilice la tira de velcro para fijar el cable a la barra liberadora de tensión.

A continuación, conecte el otro extremo de los cables de alimentación a una fuente de energía distinta, como por ejemplo un sistema de alimentación ininterrumpida (SAI) o una unidad de distribución de alimentación (PDU).



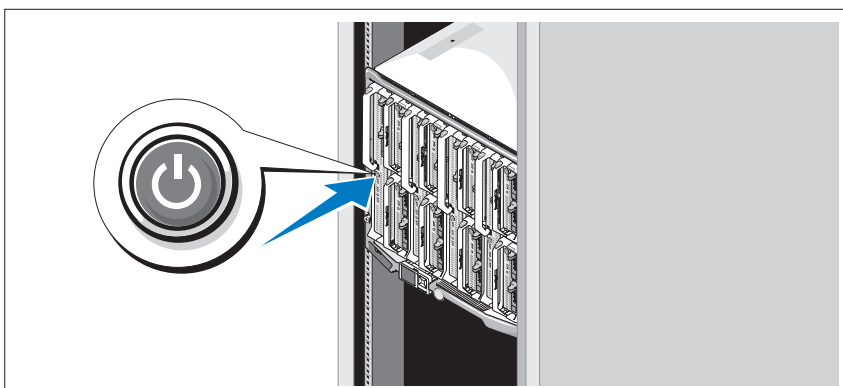
Encendido del sistema

Presione el botón de encendido del alojamiento. El indicador de alimentación debería encenderse.



Encendido de los módulos de alta densidad

Presione el botón de encendido de cada módulo de alta densidad o encienda los módulos mediante el software de administración de sistemas.



Finalización de la configuración del sistema operativo

Si ha adquirido un sistema operativo preinstalado, consulte la documentación del sistema operativo que se suministra con el sistema. Para instalar un sistema operativo por primera vez, consulte la Guía de instalación rápida. Asegúrese de que el sistema operativo está instalado antes de instalar hardware o software no adquirido con el sistema.

Especificaciones técnicas

Especificaciones del módulo de alta densidad

Procesador

Tipo de procesador

PowerEdge M905	Cuatro procesadores AMD Opteron serie 8000 de dos o cuatro núcleos
PowerEdge M805	Dos procesadores AMD Opteron serie 2000 de dos o cuatro núcleos
PowerEdge M600	Uno o dos procesadores Intel Xeon de dos o cuatro núcleos
PowerEdge M605	Uno o dos procesadores AMD Opteron serie 2000 de dos o cuatro núcleos

Memoria

Arquitectura

PowerEdge M600	Módulos de memoria FB-DIMM clasificados para funcionar a 677 MHz
PowerEdge M905, M805 y M605	Módulos de memoria DDR2 clasificados para funcionar a 677 MHz

Zócalos de módulo de memoria

PowerEdge M905	24 zócalos de 240 patas
PowerEdge M805	16 zócalos de 240 patas
PowerEdge M605 y M600	Ocho zócalos de 240 patas

Memoria (continuación)

Capacidades del módulo de memoria	512 MB (PowerEdge M605 y M600), 1 GB, 2 GB, 4 GB u 8 GB
RAM mínima	Dos módulos de memoria por procesador
PowerEdge M905	8 GB (ocho módulos de memoria de 1 GB)
PowerEdge M805	4 GB (cuatro módulos de memoria de 1 GB)
PowerEdge M600 y M605	1 GB (dos módulos de memoria de 512 MB)
RAM máxima	
PowerEdge M905	192 GB
PowerEdge M805	128 GB
PowerEdge M600 y M605	64 GB

Unidades

Unidades de disco duro

PowerEdge M805 y M905	Una o dos unidades de disco duro SAS de 2,5 pulgadas
PowerEdge M600 y M605	
Configuración SATA	Una o dos unidades de disco duro SATA de 2,5 pulgadas
Configuración SAS	Una o dos unidades de disco duro SAS de 2,5 pulgadas

NOTA: Las unidades de disco duro SAS y SATA no pueden combinarse en un módulo de alta densidad M600 o M605.

Conectores

Externos**USB**

PowerEdge M805 y M905 Tres de 4 patas compatibles con USB 2.0

PowerEdge M600 y M605 Dos de 4 patas compatibles con USB 2.0

Internos

Tarjeta SD (PowerEdge M805 y M905) Un conector para tarjetas SD

Controladoras Ethernet

Conjunto de chips

PowerEdge M805 y M905 Cuatro puertos Ethernet con compatibilidad con TOE e inicio iSCSI a través de dos controladoras Ethernet Broadcom 5709S integradas de dos puertos

PowerEdge M600 y M605 Dos puertos Ethernet con compatibilidad con TOE e inicio iSCSI a través de dos controladoras Broadcom 5708S integradas

Controladora de vídeo

Tipo de vídeo Controladora de vídeo ATI RN50

Memoria de vídeo 32 MB

Características físicas

PowerEdge M905 y M805

Altura 38,5 cm

Anchura 5 cm

Profundidad 48,6 cm

Peso (configuración máxima) 11,1 kg

PowerEdge M605 y M600

Altura 18,9 cm

Anchura 5 cm

Características físicas (continuación)

Profundidad	48,6 cm
Peso (configuración máxima)	De 5,2 a 6,4 kg

Batería

Batería del módulo de alta densidad	Batería de tipo botón litio-ion CR2032 de 3 V
-------------------------------------	---

Especificaciones del alojamiento del sistema

Características físicas

Altura	44,0 cm
Anchura	44,7 cm
Profundidad	75,5 cm
Peso (configuración máxima)	178,3 kg
Peso (vacío)	44,6 kg

Módulo de fuente de alimentación

Fuente de alimentación de CA/CC (por fuente de alimentación)

Potencia	2 360 W
Conector	Enchufe hembra NEMA C20
Disipación de calor	1 205 BTU/h (353 W) como máximo
Corriente de conexión máxima	En condiciones normales de línea y en todo el ambiente del rango operativo del sistema, la corriente de la conexión puede alcanzar los 55 A por cada fuente de alimentación durante 10 ms o menos.
Requisitos de voltaje del sistema	200-240 V, 16 A, trifásico, 50/60 Hz 200-240 V, 40,5 A, monofásico, 50/60 Hz

Módulo iKVM Avocent opcional

Conectores posteriores de acceso externo

USB	Dos conectores de 4 patas compatibles con USB 2.0 para el teclado y el ratón
Puerto ACI	RJ-45
Vídeo	VGA de 15 patas

Módulo de controladora de administración del chasis

Conectores de acceso externo

Administración remota	Dos puertos RJ-45 10/100/1000 Mb dedicados para una controladora de acceso remoto Ethernet integrada
Serie	9 patas, DTE, compatible con 16550
Vídeo	VGA de 15 patas
Batería	Batería de tipo botón litio-ion CR2032 de 3 V
Tarjeta SD	Una ranura de memoria para tarjeta flash SD (Secure Digital) interna dedicada para compatibilidad con FlexAddress

Panel de control del alojamiento

Conectores de acceso externo

USB	
PowerEdge M905 y M805	Tres conectores de 4 patas compatibles con USB 2.0 para el teclado y el ratón
PowerEdge M605 y M600	Dos conectores de 4 patas compatibles con USB 2.0 para el teclado y el ratón
Vídeo	VGA de 15 patas

Panel de navegación

Características	Cuatro teclas de control del cursor, una tecla de selección, pantalla LCD
-----------------	---

Especificaciones del módulo de E/S

Módulo de conmutador Ethernet PowerConnect M6220

Conectores de acceso externo

Ethernet 10/100/1000 Mbps	Cuatro puertos RJ-45 de negociación automática
Serie	Un conector A de tipo USB 2.0 de 4 patas. Para la conexión al terminal, se debe utilizar un adaptador de A de tipo USB a DB9.
Módulos opcionales	Dos compartimientos opcionales. Cada compartimiento admite un módulo con dos puertos de apilamiento de 24 Gb, dos enlaces ascendentes de cobre CX4 de 10 Gb o dos XFP ópticos de 10 Gb.

Módulo de conmutador Infiniband Cisco M700E

Conectores de acceso externo	Ocho puertos de enlace ascendente Infiniband DDR
------------------------------	--

Módulo de paso a través Ethernet Gb

Conectores de acceso externo	16 puertos Ethernet RJ-45
------------------------------	---------------------------

Módulo de paso a través Fibre Channel

Conectores de acceso externo

Transceptor Fibre Channel	16 puertos SFP externos que admiten velocidades FC de 1/2/4 Gbps
---------------------------	--

Módulo de conmutador Fibre Channel Brocade

Conectores de acceso externo

Fibre Channel	Ocho puertos FC físicos (cuatro activados de manera predeterminada, actualizables a ocho) que admiten conexiones Fibre Channel a 1/2/4 Gbps
Puerto serie	RJ-45

Especificaciones ambientales

NOTA: Para obtener información adicional sobre medidas ambientales relativas a configuraciones de sistema específicas, vaya a dell.com/environmental_datasheets. El sistema no se debe usar en un entorno de oficina.

Temperatura

En funcionamiento	De 10 a 35 °C NOTA: Por encima de los 900 m, la temperatura máxima se reduce en 1 °C por cada 300 m.
En almacenamiento	De -40 a 65 °C

Humedad relativa

En funcionamiento	Del 8 al 85% (sin condensación) con una gradación de humedad máxima del 10% por hora
En almacenamiento	Del 5 al 95% (sin condensación)

Vibración máxima

En funcionamiento	0,26 Grms a 10–350 Hz durante 15 minutos
En almacenamiento	1,54 Grms a 10–250 Hz durante 15 minutos

Impacto máximo

En funcionamiento	Un choque en el sentido positivo del eje z de 31 G durante un máximo de 2,6 ms
En almacenamiento	
PowerEdge M905 y M805	Seis choques ejecutados consecutivamente en los ejes x, y y z positivo y negativo de 71 G durante un máximo de 2 ms
PowerEdge M605 y M600	Seis choques ejecutados consecutivamente en los ejes x, y y z positivo y negativo de 71 G durante un máximo de 2 ms

Altitud

En funcionamiento	De -16 a 3 048 m
En almacenamiento	De -16 a 10 600 m

תנאי סביבה

רטט מרבי

0.26 Grms ב-10-350 הרץ למשך 15 דקות

הפעלה

1.54 Grms ב-10-250 הרץ למשך 15 דקות

אחסון

זעזוע מרביפעילות זעזוע אחת בציר Z החיובי מתוך 31 G
למשך עד 2.6 אלפיות השנייה

הפעלה

אחסון

שש פעימות זעזוע המופעלות בזו אחר זו בצירי
x, y, z החיוביים והשליליים מתוך 71 G למשך
עד 2 אלפיות השנייה

M805 ,PowerEdge M905

שש פעימות זעזוע המופעלות בזו אחר זו בצירי
x, y, z החיוביים והשליליים מתוך 71 G למשך
עד 2 אלפיות השנייה

M600 ,PowerEdge M605

גובה

16- עד 3048 מטר (50- עד 10,000 רגל)

הפעלה

16- עד 10,600 מטר (50- עד 35,000 רגל)

אחסון

מודל מעבר של Gb Ethernet

שש עשרה יציאות Ethernet מסוג RJ-45	מחברים בעלי נגישות חיצונית
------------------------------------	----------------------------

מודול מעבר ערוץ סיבים

שש עשרה יציאות SFP חיצוניות שתומכות במהירות FC של 1/2/4 גיגה-סיביות לשנייה	מחברים בעלי נגישות חיצונית	מקלט משדר (מקמ"ש) Fibre Channel
--	----------------------------	---------------------------------

מודול מתג Brocade Fibre Channel

שמונה יציאות FC פיזיות (ארבע זמינות כברירת מחדל, ניתן לשדרג לשמונה), התומכות בחיבורי Fibre Channel של 1/2/4 גיגה-סיביות לשנייה.	מחברים בעלי נגישות חיצונית	ערוץ סיבים
RJ-45		יציאה טורית

תנאי סביבה

הערה: למידע נוסף על מידות סביבתיות לגבי תצורות מערכת מסוימות, ראה www.dell.com/environmental_datasheets. המערכת אינה מיועדת לשימוש בסביבה משרדית.

	טמפרטורה
10°C עד 35°C	הפעלה
הערה: הפחת את הטמפרטורה המרבית במעלה אחת צלזיוס (1.8 מעלות פרנהייט) עבור כל 300 מ' (985 רגל) מעל 900 מ' (2955 רגל).	
40°- עד 65° צלזיוס (40°- עד 149° פרנהייט)	אחסון
	לחות יחסית
8% עד 85% (ללא עיבוי) עם ירידה הדרגתית בלחות מרבית של 10% בשעה	הפעלה
5% עד 95% (ללא עיבוי)	אחסון

לוח בקרת מארז

מחברים בעלי נגישות חיצונית

USB

שלושה מחברים בעלי 4 פינים, תואמי USB 2.0, לתמיכה במקלדת ובעכבר

M805 ,PowerEdge M905

שני מחברים בעלי 4 פינים, תואמי USB 2.0, לתמיכה במקלדת ובעכבר

M600 ,PowerEdge M605

VGA עם 15 פינים

וידאו

לוח ניווט

ארבעה מקשים לשליטה בסמן, מקש בחירה, צג LCD

תכונות

מפרט מודול הקלט/פלט

מודול מתג PowerConnect M6220 Ethernet

מחברים בעלי נגישות חיצונית

ארבע יציאות RJ-45 התומכות במו"מ אוטומטי

Ethernet של 10/100/1000 מגה-סיביות בשנייה

מחבר אחד מסוג A של 4 פינים, תואם USB 2.0. (השתמש במתאם סוג A תואם USB לסוג DB9 כדי להתחבר למסוף)

טורי

שני מפרצים אופציונליים. כל מפרץ תומך במודול עם שתי יציאות ערימה של 24 גיגה-סיביות, שני ערוצי תקשורת עליונים (נחושת) של 10-גיגה-סיביות (CX4), או שני משדרי XFP אופטיים של 10-גיגה-סיביות.

מודולים אופציונליים

מודול מתג Cisco M7000E Infiniband

שמונה יציאות ערוץ תקשורת עליון מסוג DDR Infiniband

מחברים בעלי נגישות חיצונית

מודול ספק הכוח

דרישות מתח חשמלי של המערכת	200 – 240 וולט, 16 אמפר, תלת-פאזי, 50/60 הרץ
	200 – 240 וולט, 40.5 אמפר, חד-פאזי, 50/60 הרץ

מודול iKVM אופציונלי של Avocent**מחברים אחוריים בעלי נגישות חיצונית**

שני מחברים בעלי 4 פינים, תואמי USB 2.0, לתמיכה במקלדת ובעכבר	USB
RJ-45	יציאת ACI
VGA עם 15 פינים	וידאו

מודול בקר ניהול מארז**מחברים בעלי נגישות חיצונית**

שתי יציאות RJ-45 ייעודיות של 10/100/1000 מגה-סיביות עבור בקר Ethernet משולב לגישה מרחוק.	ניהול מרחוק
9 פינים, DTE, תואם 16550	טורי
VGA עם 15 פינים	וידאו
סוללת מטבע ליתיום יון CR 2032 3.0-V	סוללה
חריץ ייעודי פנימי אחד לכרטיס זיכרון Flash מסוג SD (Secure Digital), לתמיכה ב-FlexAddress.	כרטיס SD

מידות פיזיות

M600 ,PowerEdge M605

גובה	18.9 ס"מ (7.4 אינץ')
רוחב	5 ס"מ (2 אינץ')
עומק	48.6 ס"מ (19.2 אינץ')
משקל (תצורה מרבית)	5.2 – 6.4 ק"ג (11.5 – 14.0 ליברות)

סוללה

סוללת הלהב סוללת מטבע ליתיום יון CR 2032 3.0-V

מפרט מארז המערכת

מידות פיזיות

גובה	44.0 ס"מ (17.3 אינץ')
רוחב	44.7 ס"מ (17.6 אינץ')
עומק	75.5 ס"מ (29.7 אינץ')
משקל (תצורה מרבית)	178.3 ק"ג (392.2 ליברות)
משקל (ריק)	44.6 ק"ג (98.1 ליברות)

מודול ספק הכוח

ספק זרם חילופין/זרם ישיר (לכל ספק כוח)

הספק חשמלי בוואטים	2360 וואט
מחבר	שקע חשמל MEMA C20
פיזור חום	1205 BTU לשעה – מקסימלי
זרם נכנס מקסימלי	בתנאי קו רגילים ובטווח הפעלה בתנאי סביבה של המערכת כולה, ייתכן שהזרם הנכנס יגיע ל-55 אמפר לכל ספק כוח במשך 10 אלפיות שניה או פחות.

מחברים	
חיצוני	
USB	
שלושה בעלי 4 פינים, תואמי USB 2.0	M905 ,PowerEdge M805
שניים בעלי 4 פינים, תואמי USB 2.0	M605 ,PowerEdge M600
פנימי	
מחבר אחד עבור כרטיס SD	(M905 ,PowerEdge M805) כרטיס SD
בקרי Ethernet	
ערכת שבבים	
ארבע יציאות Ethernet עם תמיכה ב-TOE ובאתחול iSCSI, המסופקת על ידי שני בקרי Ethernet 5709S משולבים בעלי יציאה כפולה	M905 ,PowerEdge M805
שתי יציאות Ethernet עם תמיכה ב-TOE ובאתחול iSCSI, המסופקות על ידי שני בקרי Ethernet 5708S משולבים	M605 ,PowerEdge M600
בקר וידאו	
בקר וידאו ATI RN50	סוג וידאו
32 מגה-בתים	זיכרון וידאו
מידות פיזיות	
	M805 ,PowerEdge M905
38.5 ס"מ (15.2 אינץ')	גובה
5 ס"מ (2 אינץ')	רוחב
48.6 ס"מ (19.2 אינץ')	עומק
11.1 ק"ג (24.5 ליברות)	משקל (תצורה מרבית)

זיכרון

שני מודולי זיכרון לכל מעבד	זיכרון RAM מינימלי
8 גייגה-בתים (שמונה מודולי זיכרון של 1-גייגה-בתים)	PowerEdge M905
4 גייגה-בתים (ארבעה מודולי זיכרון של 1-גייגה-בתים)	PowerEdge M805
1 גייגה-בתים (שני מודולי זיכרון של 512 מגה-בתים)	M605 ,PowerEdge M600
	זיכרון RAM מקסימלי
192 גייגה-בתים	PowerEdge M905
128 גייגה-בתים	PowerEdge M805
64 גייגה-בתים	M605 ,PowerEdge M600

כוננים

כוננים קשיחים

כונן קשיח אחד או שני כוננים קשיחים מסוג SAS בגודל 2.5 אינץ'	M905 ,PowerEdge M805
	M605 ,PowerEdge M600
כונן קשיח אחד או שני כוננים קשיחים מסוג SATA בגודל 2.5 אינץ'	תצורת SATA
כונן קשיח אחד או שני כוננים קשיחים מסוג SAS בגודל 2.5 אינץ'	תצורת SAS
הערה: לא ניתן לערבב כוננים קשיחים מסוג SAS ו-SATA בתוך להב M600 או M605.	

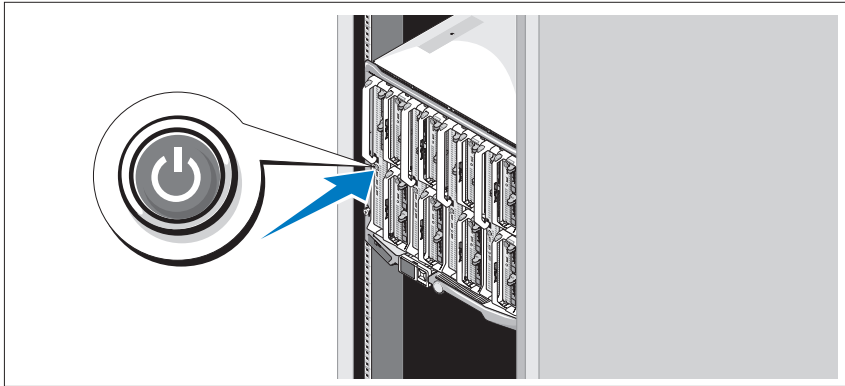
מפרט טכני

מפרט הלהבים

מעבד	
סוג מעבד	
ארבעה מעבדים עם ליבה כפולה או ארבע ליבות AMD Opteron 8000 מסדרה	PowerEdge M905
שני מעבדים עם ליבה כפולה או ארבע ליבות AMD Opteron 2000 מסדרה	PowerEdge M805
שני מעבדי Intel Xeon בעלי ליבה כפולה או ארבע ליבות	PowerEdge M600
מעבד אחד או שני מעבדים בעלי ליבה כפולה או ארבע ליבות, מסדרה AMD Opteron 2000	PowerEdge M605
זיכרון	
ארכיטקטורה	
מודולי זיכרון FBD, להפעלה במהירות של 677 מגה-הרץ	PowerEdge M600
מודולי זיכרון DDR2, להפעלה במהירות של 677 מגה-הרץ	M605, M805, PowerEdge M905
שקעים של מודולי זיכרון	
24 שקעים של 240 פינים	PowerEdge M905
16 שקעים של 240 פינים	PowerEdge M805
שמונה שקעים של 240 פינים	M600, PowerEdge M605
512 מגה-בתים (PowerEdge M605 ו-M600), 1 גיגה-בתים, 2 גיגה-בתים, 4 גיגה-בתים, או 8 גיגה-בתים	קיבולות מודולי זיכרון

הפעל את הלהבים

לחץ על לחצן המתח בכל הלהבים, או הפעל את הלהבים באמצעות תוכנת ניהול המערכות.



השלמת הגדרת מערכת הפעלה

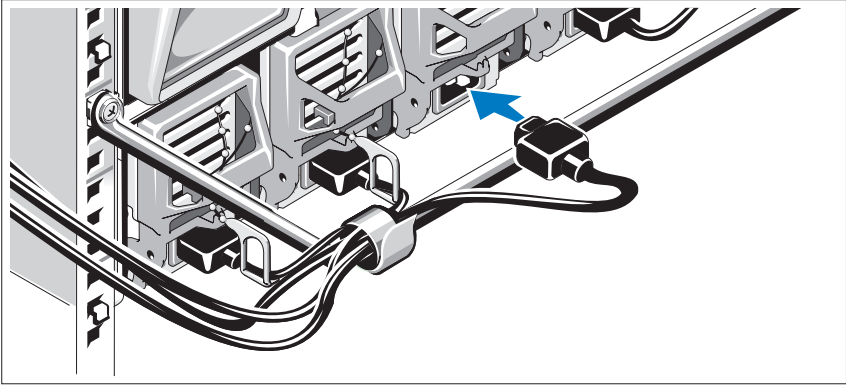
אם רכשת מערכת הפעלה מותקנת מראש, עיין בתיעוד המצורף למערכת. כדי להתקין מערכת הפעלה בפעם הראשונה, עיין במדריך ההתקנה המהירה. ודא שמערכת ההפעלה מותקנת לפני שתתקין רכיבי חומרה ותוכנות שלא נרכשו עם המחשב.

חבר את המערכת לחשמל

חבר את כבלי החשמל של המערכת לספקי הכוח של המערכת.

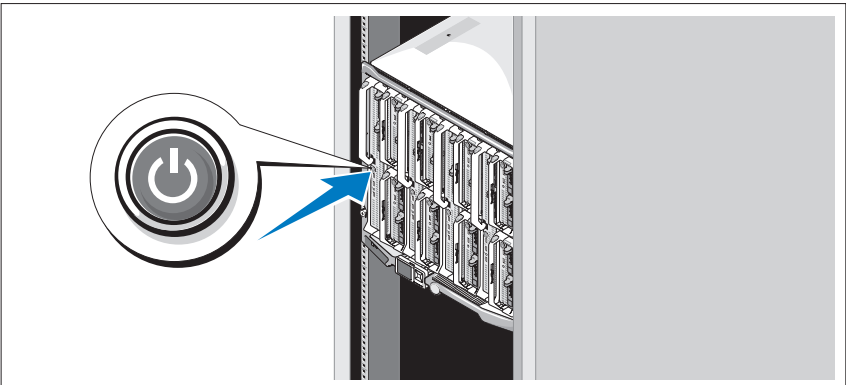
הודעה: כדי למנוע ניתוק בשוגג של כבלי החשמל, השתמש בתפס מפלסטיק שעל גבי כל אחד מספקי הכוח כדי להדק את כבל החשמל לספק הכוח, והשתמש ברצועות הצמדן כדי להצמיד את הכבל אל הלולאה להורדת מתח.

לאחר מכן, חבר את הקצה השני של כבלי החשמל למקור מתח נפרד, כגון מערכת אל-פסק (UPS) או יחידת חלוקת מתח (PDU).



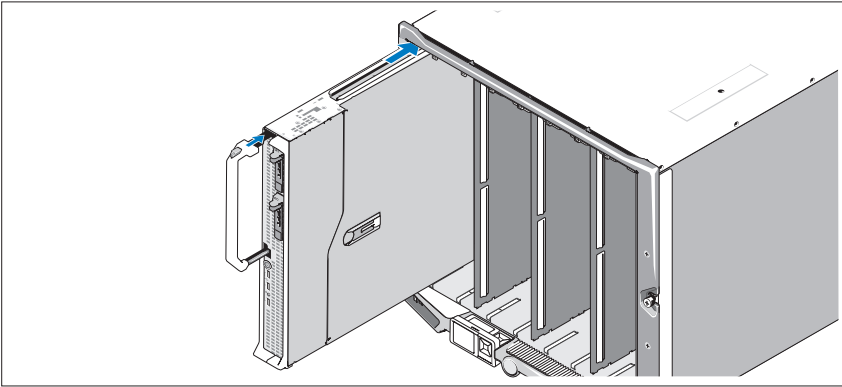
הפעל את המערכת

לחץ על לחצן ההפעלה במארז. מחוון המתח אמור להידלק.



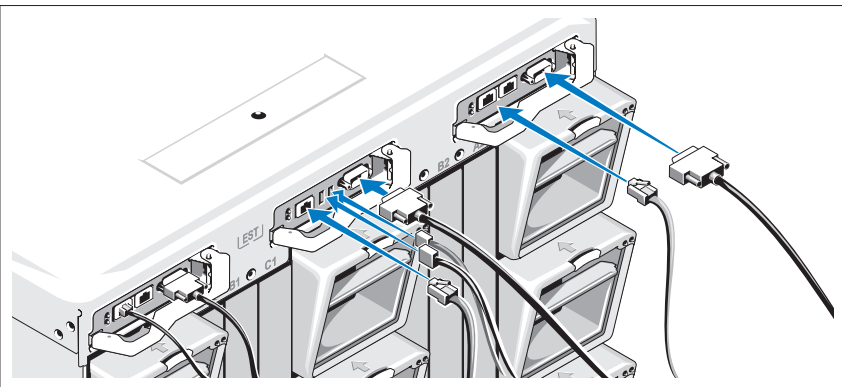
התקן את הלהבים

התחל מלמעלה, והחלק את המודולים לתוך המארז משמאל לימין. כשהלהב מותקן היטב, הידית חוזרת למצב הסגור.



חבר את מודולי ה-CMC וה-KVM

חבר את הכבל הטורי ואת כבל הרשת ממערכת הניהול אל מודול ה-CMC. אם הותקן מודול CMC שני אופציונלי, חבר גם אותו (אם המארז סופק עם הלהבים M805 ו-M905 מותקנים מראש, קושחת ה-CMC הכלולה תהיה בגרסה 1.2 או גרסה מאוחרת יותר). חבר את המקלדת, העכבר והצג למודול ה-iKVM האופציונלי.



התקנה והגדרת תצורה

⚠ התראה: לפני שתבצע את ההליך הבא, קרא את הוראות הבטיחות ואת המידע הרגולטורי החשוב שצורפו למערכת, ופעל על פיהם. מידע נוסף על שיטות העבודה המומלצות בנושא בטיחות ניתן למצוא בכתובת www.dell.com/regulatory_compliance.

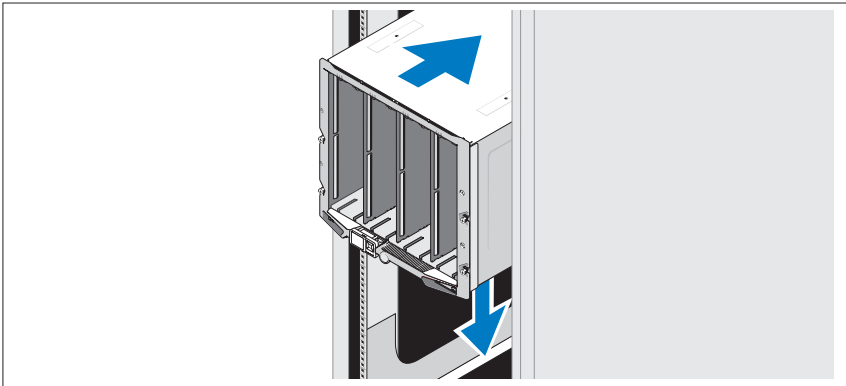
סעיף זה מתאר את השלבים הדרושים להתקנת המערכת בפעם הראשונה.


הוצא את המערכת מהאריזה

הוצא את המערכת וזהה את כל הפריטים. שמור את כל חומרי האריזה למקרה שתזדקק להם מאוחר יותר.

התקן את המערכת בארון תקשורת

התקן את המערכת בארון תקשורת לאחר קריאת הוראות הבטיחות בתיעוד של התקנת ארון התקשורת המצורף למערכת. לקבלת הוראות להתקנת המערכת בארון תקשורת, עיין בתיעוד ההתקנה המצורף למעמד. להנחיות בנושא חשמל וקירור, ראה את כלי התכנון של קיבולת ארון התקשורת בכתובת www.dell.com.



- *Dell Chassis Management Controller User's Guide* (המדריך למשתמש של בקר ניהול מארז של Dell) מספק מידע מפורט על השימוש בתכונות הניהול מרחוק של המערכת.
 - התקליטורים או תקליטורי DVD הנלווים למערכת מספקים תיעוד וכלים לקביעת התצורה של המערכת ולניהולה.
 - התיעוד של התוכנה לניהול המערכת מתאר את התכונות, הדרישות, ההתקנה וההפעלה הבסיסית של התוכנה.
 - תיעוד מערכת ההפעלה מתאר כיצד להתקין (במקרה הצורך) את תוכנת מערכת ההפעלה, כיצד להגדיר את תצורתה וכיצד להשתמש בה.
 - תיעוד לגבי רכיבים אחרים שרכשת בנפרד מספק מידע על הגדרת התצורה וההתקנה של רכיבים אופציונליים אלה.
 - לעתים מצורפים למערכת עדכונים המתארים את השינויים שבוצעו במערכת, בתוכנות ו/או בתיעוד.
-  **הערה:** הקפד לבדוק בכתובת support.dell.com אם קיימים עדכונים חדשים, ולקרוא אותם תחילה, מאחר שלעיתים קרובות יש להם קדימות על-פני מידע המתואר במסמכים אחרים.
- ייתכן שכלולים גם קובצי readme או הערות מוצר, כדי לספק עדכונים של הרגע האחרון למערכת או לתיעוד, או כדי לספק חומר עזר מתקדם בנושאים טכניים, המיועד למשתמשים מנוסים או לטכנאים.

קבלת סיוע טכני

אם אינך מבין הליך כלשהו במדריך זה, או אם המערכת אינה פועלת כמצופה, עיין במדריך למשתמש – חומרה.

לרשותך שירות ההדרכה וההסמכה הארגוני של Dell; לקבלת מידע נוסף, בקר בכתובת www.dell.com/training. ייתכן ששירות זה אינו זמין בכל האזורים.

מערכות הפעלה נתמכות

- מהדורות Standard ,Web ו-Enterprise (32 סיביות x86) של Microsoft® Windows Server® 2003 עם SP2
- מהדורות Standard ,Enterprise ו-DataCenter (x64) של Microsoft Windows Server 2003, עם SP1, SP2
- מהדורות Standard ו-Enterprise (32 סיביות x86) של Microsoft® Windows Server 2003 R2, עם SP1, SP2
- מהדורות Standard ,Enterprise ו-DataCenter (x64) של Microsoft Windows Server 2003 R2, עם SP1, SP2
- מהדורת Standard של Microsoft Windows Server 2008, עם SP1, SP2, ו-DataCenter ו-EM64T
- Red Hat® Enterprise Linux® AS ו-ES, WS (גרסה 4) וכן EM64T
- Red Hat Enterprise Linux AS ו-ES (גרסה 4) (ia32)
- Red Hat Enterprise Linux Server AS ו-ES (גרסה 5) (ia32)
- Red Hat Enterprise Linux Server AS, ES ו-WS (גרסה 5) וכן EM64T
- SUSE® Linux Enterprise Server 9 עם SP3 ו-EM64T (x86_64)
- SUSE Linux Enterprise Server 10 ו-EM64T (x86_64)
- VMware® ESX 3.1
- VMware ESX 3.5

מידע נוסף שעשוי לסייע לך


התראה: עיין במידע בנושא בטיחות ותקנות שסופק עם המערכת. ייתכן שמידע על האחריות כלול במסמך זה או במסמך נפרד.



- מדריך קביעת התצורה מספק מידע על קביעת התצורה של מארז המערכת והלהבים.
- המדריך להתקנת ארון התקשורת או ההוראות להתקנת ארון התקשורת, הכלולים בפתרון ארון התקשורת, מתארים כיצד להתקין את המערכת במעמד.
- המדריך למשתמש – חומרה מספק מידע על תכונות המערכת, ומתאר כיצד לפתור בעיות במערכת, ולהתקין או להחליף את רכיבי המערכת. מסמך זה כלול בתקליטורים המצורפים למערכת שברשותך, או באתר support.dell.com.

פעולת כוננים בחיבור חס נתמכת אם הותקן בלהב כרטיס בקר RAID אופציונלי.

- שלוש יציאות תואמות USB 2.0 (PowerEdge M805 ו-M905) או שתי יציאות תואמות USB 2.0 (PowerEdge M605 ו-M600) תומכות בהתקנים כגון עכבר, מקלדת, כונן Flash, כונן תקליטונים, או כונן אופטי.

 **הערה:** תמיכה אך ורק בהתקני USB שסופקו על ידי Dell.

- מערכת משנה של וידאו תואם VGA עם בקר וידאו ATI RN50. מערכת המשנה של הווידאו מכילה 32 מגה-בתים של זיכרון וידאו SDRAM (לא ניתן לשדרוג). הרזולוציה המקסימלית היא 1280 x 1024 x 65,000 צבעים (לא משולב).
- בקר גישה מרחוק משולב של Dell (iDRAC) המספק ניהול מערכות מרחוק, ניהול צריכת החשמל ברמת להבים, תמיכה ב-KVM וירטואלי ובמדיה וירטואלית, התראות ורישום אירועים מרחוק.
- ארבע יציאות Ethernet של 1-גיגה-בתים הנתמכות על ידי שני בקרי Broadcom 5709S משולבים עם שתי יציאות (PowerEdge M805 ו-M905), או שתי יציאות Ethernet של 1 גיגה בתים הנתמכות על ידי שני בקרי Broadcom 5708S משולבים (PowerEdge M600 ו-M605). תמיכה ב-TCP/IP Offload Engine (TOE) ובאתחול iSCSI.

לרשימה מלאה של תכונות המערכת, ראה "מפרט טכני" בעמוד 14.

התכונות הבאות כלולות במערכת:

- תוכנית System Setup (הגדרת מערכת) להצגה ושינוי מהירים של פרטי תצורת המערכת. למידע נוסף על תוכנית זו, ראה "Using the System Setup Program" (שימוש בתוכנית System Setup) *במדריך למשתמש – חומרה*.
- תכונות אבטחה משופרות, כולל סיסמת מערכת וסיסמת הגדרות, הזמינות באמצעות התוכנית System Setup.
- אבחון מערכת להערכת הרכיבים וההתקנים של המערכת. למידע על אבחון המערכת, ראה "Running the System Diagnostics" (הפעלת אבחון המערכת) *במדריך למשתמש – חומרה*.
- מנהלי התקני וידאו להצגת יישומים פופולריים רבים ברזולוציה גבוהה.
- תוכנה ותיעוד לניהול המערכת. התוכנה לניהול המערכת משמשת לניהול ולפיקוח על כל להב בנפרד וכן לניהול ולפיקוח על המערכת כולה, כולל כל הלהבים, מודולי מתג הרשת, ספקי הכוח והמאווררים. התוכנה לניהול המערכת מנהלת את המערכת באופן מקומי ומרחוק ברשת. Dell ממליצה להשתמש בתוכנה לניהול המערכת המסופקת עם מערכת זו.
- פתרונות תוכנה אופציונליים עבור אירוח באינטרנט, אחסון במטמון או איזון עומסים. למידע נוסף, עיין בתיעוד של פתרונות התוכנה.

PowerEdge M805

- שני מעבדים מסדרה AMD Opteron 2000 בעלי ליבה כפולה או ארבע ליבות.
- מודולי זיכרון DDR2 677 מגה-הרץ של לפחות 4 גיגה בתים, הניתנים לשדרוג ל-128 גיגה-בתים לכל היותר, על-ידי התקנת זוגות של מודולי 1-גיגה-בתים, 2-גיגה-בתים, 4-גיגה-בתים, או 8-גיגה-בתים ב-16 השקעים של מודולי הזיכרון שבלוח המערכת של הלהבים. הלהב תומך גם בחיסכון בזיכרון אם שמונה או 16 שקעים של מודולי זיכרון מאוכלסים במודולי זיכרון זהים.
- חריץ עבור כרטיס SD לתמיכה ב-Hypervisor מובנה.

PowerEdge M600


- מעבד אחד או שני מעבדי Intel® Xeon® בעלי ליבה כפולה או ארבע ליבות
- מודולי זיכרון FBD 677 מגה-הרץ של לפחות 1 גיגה בתים, הניתנים לשדרוג ל-64 גיגה-בתים לכל היותר, על-ידי התקנת זוגות של מודולי 512 מגה-בתים, 1-גיגה-בתים, 2-גיגה-בתים, 4-גיגה-בתים, או 8-גיגה-בתים בשמונת השקעים של מודולי הזיכרון שבלוח המערכת של הלהבים. הלהב תומך גם בחיסכון בזיכרון או בשיקוף זיכרון אם כל שמונת השקעים של מודולי הזיכרון מאוכלסים במודולי זיכרון זהים.

PowerEdge M605

- מעבד אחד או שני מעבדים מסדרה AMD Opteron 2000 בעלי ליבה כפולה או ארבע ליבות.
- מודולי זיכרון DDR2 677 מגה-הרץ או 800 מגה-הרץ של לפחות 1 גיגה בתים, הניתנים לשדרוג ל-64 גיגה-בתים לכל היותר, על-ידי התקנת זוגות של מודולי 512 מגה-בתים, 1-גיגה-בתים, 2-גיגה-בתים, 4 גיגה-בתים, או 8 גיגה-בתים בשמונת השקעים של מודולי הזיכרון שבלוח המערכת של הלהבים. הלהב תומך גם בחיסכון בזיכרון.

תכונות משותפות

- הלהבים PowerEdge M805 ו-PowerEdge M905 תומכים בכונן קשיח אחד או שני כוננים קשיחים מסוג SAS בגודל 2.5 אינץ'.
- הלהבים PowerEdge M600 ו-PowerEdge M605 תומכים בכונן קשיח אחד או שני כוננים קשיחים מסוג SATA בגודל 2.5 אינץ', או בכונן קשיח אחד או שני כוננים קשיחים מסוג SAS בגודל 2.5 אינץ'.

הערה: לא ניתן לערבב דיסקים קשיחים מסוג SAS ו-SATA בתוך להב. 

הכולל את התכונות הבאות :


- מודול ה-iKVM מנהל את כל חיבורי הלהבים כאשר קלט ממותג מכל אחד מהלהבים.
- ניתן להשבית מרחוק את הגישה המקומית למודול iKVM עבור כל להב בנפרד, דרך ממשק המשתמש של ה-iDRAC.
- מחבר VGA אחד.
- שתי יציאות USB לחיבורי המקלדת והעכבר.
-  **הערה:** פונקציות ה-USB תלויות בחיבור של ממשק וידאו, לדוגמה כבל של צג.
- יציאת RJ-45 ACI עבור חלוקה לשכבות עם מתגי KVM ו-KVM over IP ניתנת עדיפות על פני יציאות ה-KVM בלוח האחורי.
- ניתן גם לגשת למודול ה-iKVM מלוח הבקרה בחזית המארז. המערכת תומכת בפונקציית KVM קדמי או אחורי (פונקציונליות בו-זמנית אינה נתמכת).
-  **הערה:** מודול ה-iKVM החזיתי זמין כברירת מחדל אם קיימת התנגשות בין יציאות ה-iKVM בחזית ומאחור. ניתן להשבית את הגישה ל-iKVM הקדמי דרך ממשק המשתמש של ה-CMC.

תכונות הלהבים

תכונות ביצועים

PowerEdge M905

- ארבעה מעבדים מסדרה AMD™ Opteron™ 8000 בעלי ליבה כפולה או ארבע ליבות .
- מודולי זיכרון 677 DDR2 מגה-הרץ של לפחות 8 גייגה בתים, הניתנים לשדרוג ל-192 גייגה-בתים לכל היותר, על-ידי התקנת זוגות של מודולי 1-גייגה-בתים, 2-גייגה-בתים, 4-גייגה-בתים, או 8-גייגה-בתים ב-24 השקעים של מודולי הזיכרון שבלוח המערכת של הלהבים. הלהב תומך גם בחיסכון בזיכרון אם שמונה או 16 שקעים של מודולי זיכרון מאוכלסים במודולי זיכרון זהים.
- חריץ עבור כרטיס SD (Secure Digital) לתמיכה ב-Hypervisor מובנה.

- ה-CMC מדווח על צריכת החשמל בזמן אמת.
 - ה-CMC תומך בתקרה אופציונלית של צריכת חשמל, שתפעיל התראה או פעולות להגבלת צריכת החשמל של המארז כך שלא תחרוג מתקרה שהוגדרה מראש.
 - ה-CMC מבצע ניטור ופיקוח על מאווררי הקירור בהתאם לטמפרטורה בפועל שנמדדה בתוך המארז ובסביבתו.
 - ה-CMC מספק רשימת מלאי מקיפה של מארזים וכן דוחות סטטוס/שגיאה.
 - ה-CMC מאפשר קביעת תצורה מרכזית של ההגדרות הבאות:
 - הגדרות הרשת והאבטחה של ה-CMC
 - הגדרות של יתירות ספקי כוח ושל תקרת צריכת החשמל
 - הגדרות של מתגי קלט/פלט ורשת iDRAC
 - התקן האתחול הראשון בלהבים
 - ה-CMC יבדוק את עקביות מארג הקלט/פלט בין מודולי הקלט/פלט לבין הלהבים ובעת הצורך ישבית רכיבי מערכת כדי להגן על חומרת המערכת.
 - אבטחת גישת המשתמשים.
 - חריץ לכרטיס SD בכרטיס ה-CMC תומך בתכונה אופציונלית של כתובות WWN/MAC מתמידים, שמאפשרת כתובות WWN/MAC מבוססות חריץ עבור הלהבים, וכך מפשטת את ההתקנה וההחלפה של הלהבים.
 - ה-CMC מצויד בשתי יציאות Ethernet. Gb1 משמשת לחיבור לרשת הניהול החיצונית. Stack מאפשרת לחבר בשרשור בקרי CMC במארזים סמוכים. מתג Ethernet עם 24 יציאות מספק תקשורת פנימית של 100 מגה-סיביות עם הלהבים, מודולי הקלט/פלט, מודול iKVM האופציונלי ו-CMC אופציונלי שני יתיר, וכן מספק חיבור 10/100/1000 מגה-סיביות אל רשת הניהול החיצונית.
-  **הערה:** מתג Ethernet המצויד ב-24 יציאות שמור לצורך תקשורת פנימית בין ה-iDRAC בלהבים לבין ה-CMC, ובהמשך – לרשת הניהול החיצונית.
- ניתן להתקין CMC שני אופציונלי, עבור יתירות של מעבר לגיבוי בעת כשל.
 - לוח בקרה של המארז, הכולל צג LCD שמספק מידע על התשתית והלהבים הקיימים וכן דוחות שגיאה.
 - מודול אופציונלי של מקלדת, וידאו ועכבר משולבים (iKVM) מתוצרת Avocent,

תכונות המערכת

סעיף זה מתאר את תכונות החומרה והתוכנה העיקריות של המערכת. סעיף זה כולל גם מידע על מסמכים אחרים שאותה עשוי להזדקק להם בעת התקנת המערכת, וכן הסברים בדבר קבלת סיוע טכני.

תכונות מארז המערכת

המארז של מערכת M1000e כולל את התכונות הבאות:

תכונות מדרגיות

- תמיכה בעד 16 להבים בחצי-גובה או ב-8 להבים בגובה מלא (מודולי שרת).
- תמיכה בשלוש שכבות של מארג קלט/פלט, ניתנות לבחירה בין שילובים של מודולי Ethernet, Infiniband ו-Fibre Channel.
- ניתן להתקין במארז עד שישה מודולי קלט/פלט, שנבחרו מקרב מודולים של מתגי Fibre Channel, מעברי Fibre Channel, מתגי Infiniband, מתגי Ethernet ומעברי Ethernet.

תכונות אמינות

- תשעה מודולים של מאווררי מערכת יתירים הניתנים לחיבור-חס.
- שלושה ספקי כוח של 2360 וואט, הניתנים לחיבור חס, ושלושה ספקי כוח ריקים, או שישה ספקי כוח של 2360 וואט הניתנים לחיבור חס (שלושה ספקי כוח מספקים חשמל למערכת; הוספת שלושה ספקי כוח נוספים מעניקה יתירות של 3+3).
- ➔ **הודעה:** ספקי כוח ניתנים לחיבור ליחידת חלוקת מתח (PDU) בלבד. לא ניתן לחברם ישירות לשקע חשמל.
- ➔ **הודעה:** מארז המערכת דורש מקור אספקת מתח של 200-240 וולט.

תכונות ניהול מערכות

- בקר ניהול מארז (CMC), המספק מספר תכונות חיוניות של ניהול מערכות:
 - ניהול צריכת חשמל וניהול תרמי ברמת מארז:
 - בקר ה-CMC מנטר את דרישות אספקת המתח של המערכת ותומך במצב Dynamic Power Supply Engagement האופציונלי, על מנת לאפשר ל-CMC להפעיל ספקי כוח או להעביר אותם למצב המתנה באופן דינמי, בהתאם לדרישות העומס והיתירות, ליעול צריכת האנרגיה.

הערות, הודעות והתראות

הערה: הערה מציינת מידע חשוב שסייע לך לנצל את המחשב בצורה טובה יותר.



הודעה: הודעה מציינת אפשרות לנזק לחומרה או לאובדן נתונים, ומסבירה כיצד להימנע מהבעיה.



התראה: התראה מציינת אפשרות לנזק לרכוש, פגיעה גופנית או מוות.



המידע הכלול במסמך זה נתון לשינויים ללא הודעה מוקדמת.
© 2008 Dell Inc. כל הזכויות שמורות.

חל איסור על שעתוק מסמך זה, בכל דרך שהיא, ללא קבלת רשות בכתב מאת Dell Inc.

סימני מסחר המופיעים במסמך זה: Dell, הלוגו של DELL ו-Dell OpenManage הם סימני מסחר של Dell Inc. Microsoft, Windows, Windows Server הם סימני מסחר או סימני מסחר רשומים של Microsoft Corporation בארה"ב ו/או במדינות אחרות; AMD ו-AMD Opteron הם סימני מסחר של Advanced Micro Devices, Inc. ו-Intel; Intel ו-Xeon הם סימני מסחר רשומים של Intel Corporation. SUSE הוא סימן מסחר רשום של Novell, Inc. ו-Red Hat Enterprise Linux הם סימני מסחר רשומים של VMware, Red Hat, Inc. הוא סימן מסחר רשום של VMware Inc. בארה"ב ו/או סמכויות שיפוט אחרות.

סימני מסחר ושמות מסחר אחרים המוזכרים במסמך זה מתייחסים לגורמים הטוענים לבעלות על הסימנים ועל השמות, או על המוצרים של גורמים אלה. Dell Inc. מתנערת מכל עניין קנייני בסימני מסחר ובשמות מסחר, למעט הסימנים והשמות שלה עצמה.

דגם BMX01

מהדורה A00

מספר חלק R431C

מאי 2008

Dell™ PowerEdge™
M600-ו M605 ,M805 ,M905

תחילת עבודה עם
המערכת

